

Dimensions

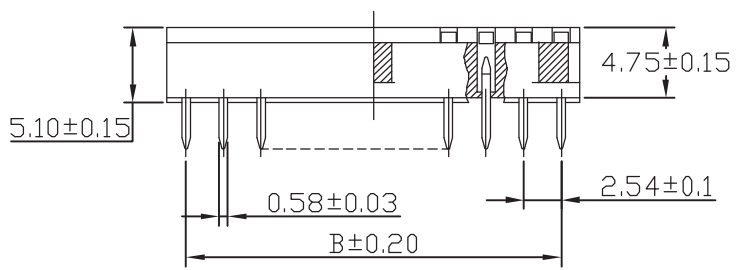
Positions	A	B	C	D
06	7.62	5.08	10.16	7.62
08	10.16	7.62	10.16	
14	17.78	15.24	10.16	
16	20.32	17.78	10.16	
18	22.86	20.32	10.16	
20	25.40	22.86	10.16	
22	27.94	25.40	10.16	

**Material:**

- Contact: Phosphor bronze thickness 0.15mm
- Contact plating: Tin plated 60µ"~80µ"
- Insulator: PBT-4830, UL 94V-0

**Specifications:**

- Current rating: 1A
- Dielectric withstanding voltage: 1,000V RMS/minute
- Insulator resistance: 5,000MΩ min.
- Contact resistance: 20mΩ initial 30mΩ after test
- Operating temperatures: -55°C to 85°C
- Insertion force: 340g(12 oz) max. per contact
- Withdrawal force: 80g(2.82 oz) min. per contact

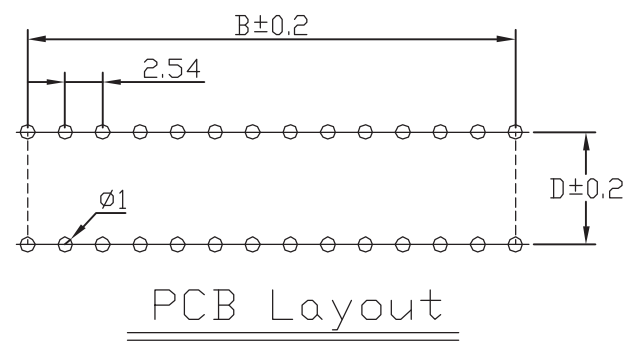
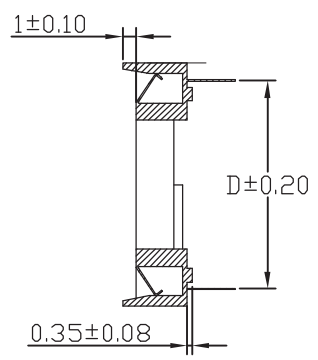
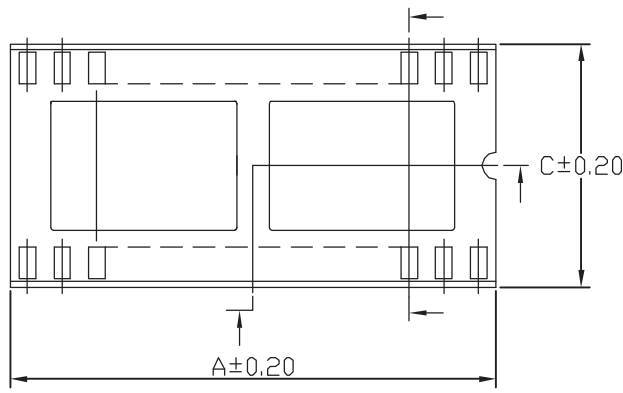


Unit: mm



Scale	2:1					Date	Name	Title IC Socket Low Cost Stamped contacts, 2.54mm pitch
TOLERANCE						Drawn	Wilson	
X.	±0.38					Approved	Groll	ASSMANN WSW-No.
X.X	±0.25							<b>Axx-LC-TT-R</b>
X.XX	±0.13							Drawing-No.
DIM	TOL							
X.°	±3°							rev00
X.X°	±1.0°	Ⓣ						
Angle	TOL	Id.	Modification	Date	Name			Sheet
								Replace





**Dimensions**

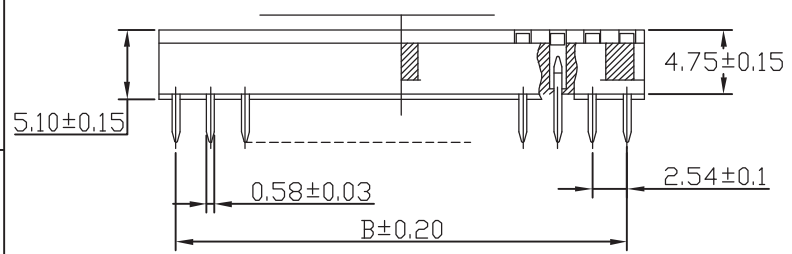
Positions	A	B	C	D
24	30.48	27.94	17.78	15.24
28	35.56	33.02	17.78	
32	40.64	38.10	17.78	
40	50.80	48.26	17.78	

**Material:**

- Contact: Phosphor bronze thickness 0.15mm
- Contact plating: Tin plated 60µ"~80µ"
- Insulator: PBT-4830, UL 94V-0

**Specifications:**

- Current rating: 1A
- Dielectric withstanding voltage: 1,000V RMS/minute
- Insulator resistance: 5,000MΩ min.
- Contact resistance: 20mΩ initial 30mΩ after test
- Operating temperatures: -55°C to 85°C
- Insertion force: 340g(12 oz) max. per contact
- Withdrawal force: 80g(2.82 oz) min. per contact



Unit: mm



Scale	2:1					Date	Name	Title IC Socket Low Cost Stamped contacts, 2.54mm pitch
TOLERANCE					Drawn	07.02.13	Wilson	
X.	±0.38				Approved	07.02.13	Groll	ASSMANN WSW-No.
X.X	±0.25							<b>Axx-LC-TT-R</b>
X.XX	±0.13							Drawing-No.
DIM	TOL				<b>ASSMANN</b> WSW components			rev00
X.°	±3°							
X.X°	±1.0°	Ⓢ				Replace		Sheet
Angle	TOL	Id.	Modification	Date	Name			2/2

