

1

2

3

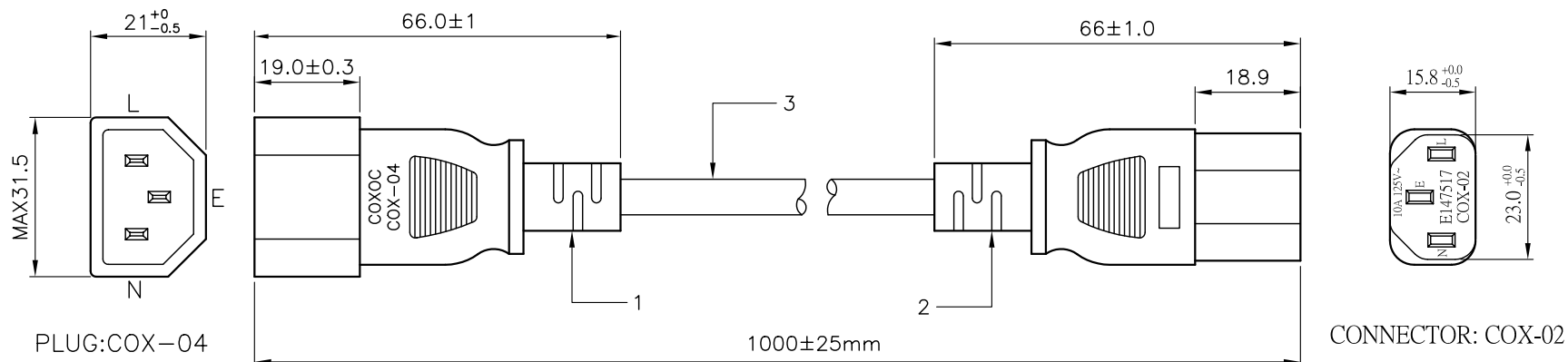
4

5

6

7

A



B

A

B

C

C

D

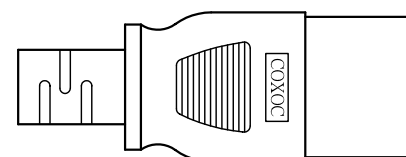
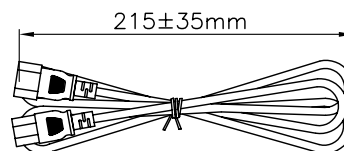
D

NOTES:

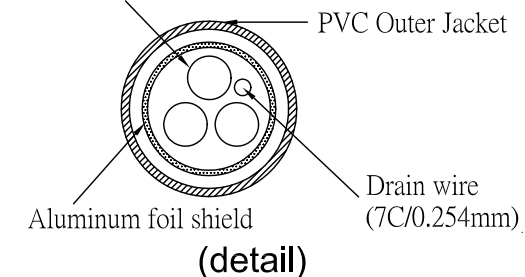
1.PLUG No.: COX-04
MARK: COXOC COX-04
APPROVED: E147517

2.CONNECTER No.: COX-02
MARK: COXOC COX-02 10A 125V~
APPROVED: E147517

3.POWER WIRE:
C-UL (UL) SJT E148006 VW-1 75°C 18AWGx3C COXOC
SHIELDED
JACKET COLOR: BLACK
INSULATION COLOR: BLACK,WHITE,GREEN.



Conductor,18AWG
41/0.16 bare copper



E

E

F

F

G

G

H

H

	Datum	Name	Benennung		
Bearb.	01/06/03	PEARL	POWER CORDS		
Gep.					
Norm.					
ASSMANN Electronic Components			Zeichnungsnummer	Blatt	
			AK500-JC-5-1		
			Ersatz für	Blatt	

1

2

3

4

5

6

7