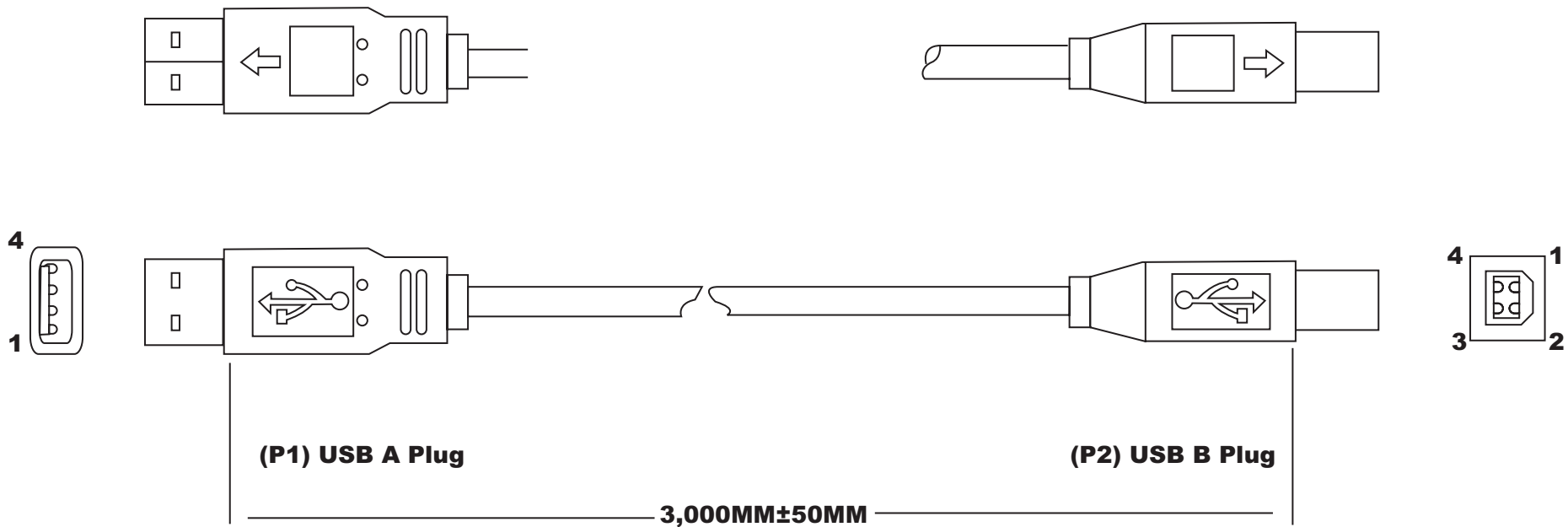
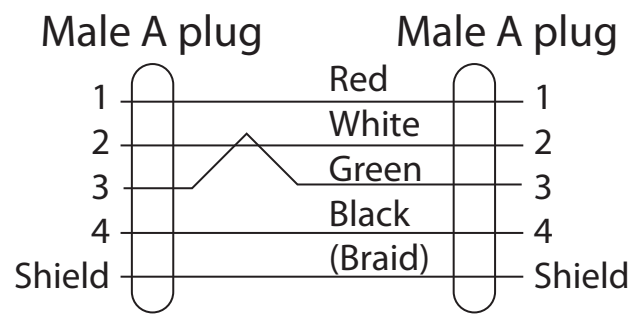


A
B
C
D
E
F
G
H

A
B
C
D
E
F
G
H



USB Configuration



Material:

- Cable: #28x1P+#24x2C+AL/MY+1+Braid, UL2725
- Ø4.7MM
- Black PVC

- P1 Connector: USB Male A plug
- P2 Connector: USB Male B plug
- Molded Type

Electrical:

- 100% Short, Open, Miswire Test



Scale	1:1						Name
TOLERANCE					Drawn	08.29.11	Chappell
X.X	±0.40				Approved		
X.XX	±0.25						
X.XXX	±0.15						
Angle	±3°	③					
		②					
		①	Modification	Date	Name		



Item No.	
AK672/2-3-BLACK-R	
Title USB 1.1 Cable - Male A <=> Male B, Black, 3 Meters	
Drawing No.	
Replace	Sheet