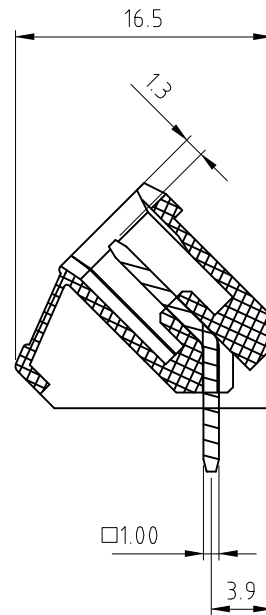


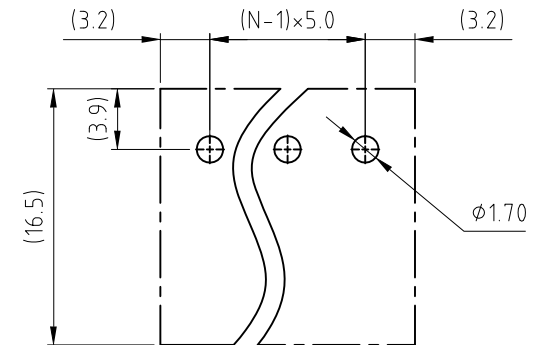
N=Number of contacts



Material  
 ● Contact pin: Brass  
 ● Surface of solder tail: Tin plated  
 ● Insulator (housing): Thermoplastic (UL94V-0)Green

Electrical cULus /VDE / TUV  
 ● Voltage rating: 300V/300V/300V  
 ● Current rating: 15A/17A/20A  
 ● Wire range:  
 ● Solid wire(AWG):  
 ● Stranded wire(AWG):  
 ● Wire strip length:  
 ● Withstanding Voltage: 1.6KV/2.5KV/2.5KV  
 ● Operating temperature: -30°C to +105°C  
 ● Soldering temperature: 250°C±10°C/5 Sec  
 ● Safety Approval:

P.C.B LAYOUT



**RoHS compliant**

Scale	1:1						Date	Name	Customer-No.
TOLERANCE						Drawn	10.12.2009	Dean	ASSMANN WSW-No. <b>A-TB500-VKxx</b>
X.	±0.50					Approved	10.12.2009	Hellwig	
X.X	±0.30								
X.XX	±0.10								
DIM	TOL								Drawing-No.
X.°	±1°								<b>ASS 3878 CO</b>
		①	Drawn	10.12.2009	Dean				rev01
Angle	TOL	Id.	Modification	Date	Name			Replace	Sheet

**RoHS compliant**



**ASS 3878 CO**

rev01

Replace Sheet