

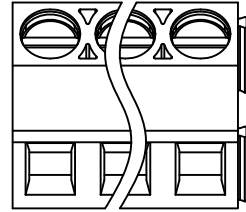
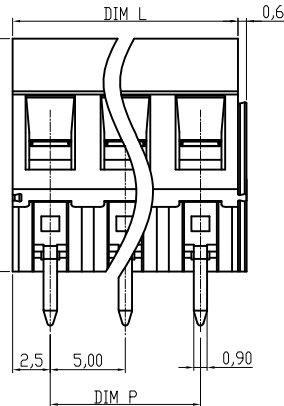
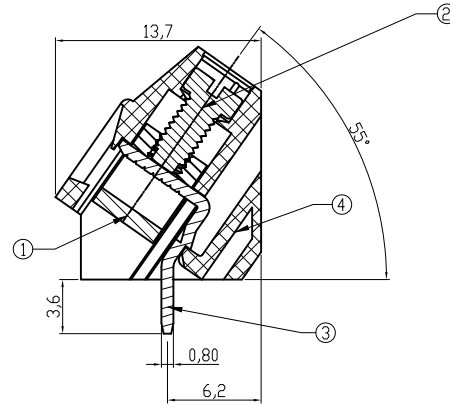
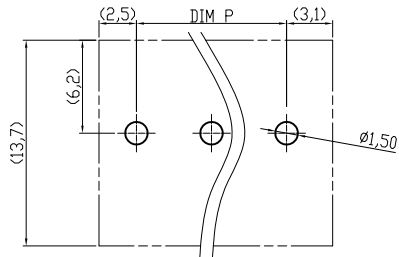
1 2 3 4 5 6 7

A B C D E F G H

A B C D E F G H

Material
 ①Clamp: Brass, Ni plated
 ②Terminal screw: Steel Zinc plating "-" slot type
 ③Wire guard solder pin: Brass, Tin plated
 ④Terminal housing: Thermoplastic (UL94V-0), GREEN

Electrical UL
 Voltage rating: 300VAC
 Current rating: 10A
 Wire range:
 Solid wire(AWG): 12-24
 Stranded wire(AWG): 12-24
 Torque(Lb-In): 3.5
 Screw: M2.5
 Wire strip length: 6-7mm
 Withstanding Voltage: 1.6KV
 Operating temperature: -40°C to +115°C
 Soldering temperature: 250°C±10°C/5 Sec
 Safety Approval:

RECOMMENDER PCB LAYOUT


DIMENSION

L	Nx5.0
P	(N-1)x5.0

N=Number of poles

Poles	Tolerance
	DIM L&DIM P
4p-8p	±0.15
9p-14p	±0.25
15p-20p	±0.35
21p-24p	±0.40

RoHS compliant

Scale	1:1						Date	Name	Customer-No.
TOLERANCE							Drawn	19.04.2010	Alex
X.	±0.50						Approved	19.04.2010	Hellwig
X.X	±0.30								
X.XX	±0.10								
DIM	TOL								Drawing-No.
X.°	±1°								ASSMANN WSW-No.
		①	Drawn	19.04.2010	Alex				A-TB500-T2xxSB
Angle	TOL	Id.	Modification	Date	Name			Replace	ASS 4101 CO

Customer-No.	
ASSMANN WSW-No.	A-TB500-T2xxSB
Drawing-No.	ASS 4101 CO
Replace	rev00
Sheet	

1 2 3 4 5 6 7