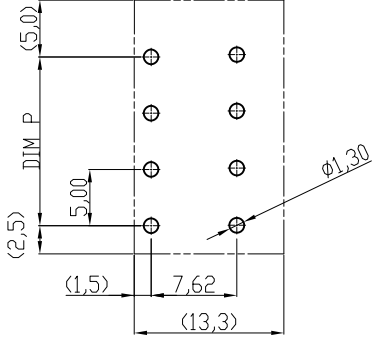
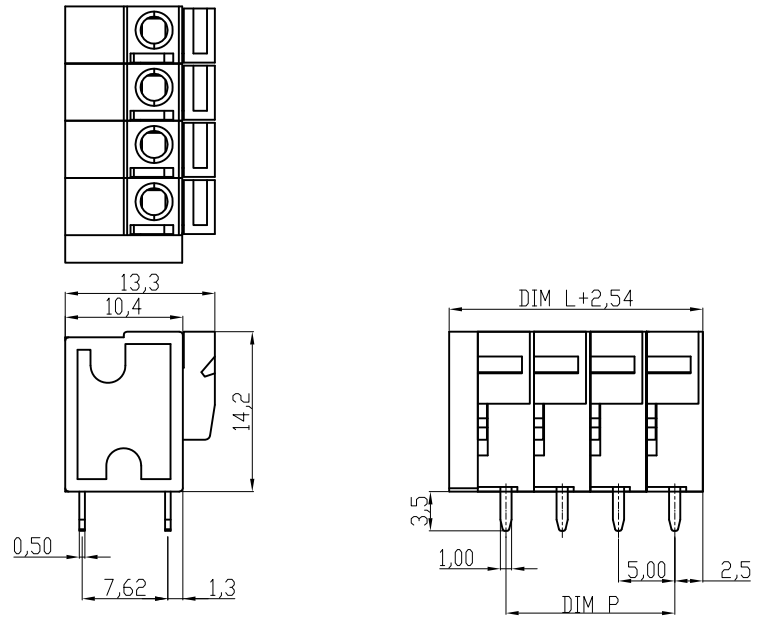


A
B
C
D
E
F
G
H



RECOMMENDER PCB LAYOUT

Material
 Terminal body(Contact pin): Brass
 Wire guard:Stainless steel
 Surface of Solder tail:Tin plated
 Terminal (housing): Thermoplastic (UL94V-0) , GREEN

Electrical cULus/VDE
 Voltage rating: 300VAC/250VAC
 Current rating: 10A/10A
 Wire range: 0.75-1.5mm²
 Solid wire(AWG): 14-24
 Stranded wire(AWG): 14-24
 Pull force:
 Screw:
 Wire strip length: 9-10mm
 Withstanding Voltage: 1.6KV/2KV
 Operating temperature: -40°C to +115°C
 Soldering temperature: 250°C±10°C/5 Sec
 Safety Approval:

DIMENSION

| | |
|---|-----------|
| L | Nx5.0 |
| P | (N-1)x5.0 |

N=Number of poles

| Poles | Tolerance | |
|---------|-----------|-------|
| | DIM L | DIM P |
| 2p-6p | ±0.15 | ±0.10 |
| 7p-12p | ±0.20 | ±0.20 |
| 13p-18p | ±0.30 | ±0.25 |
| 19p-24p | ±0.40 | ±0.30 |

RoHS compliant

| | | | | | | | | | | |
|-----------|-------|-----|--------------|------------|------|--|----------|------------|---|-------|
| Scale | 1:1 | | | | | | Date | Name | Customer-No. | |
| TOLERANCE | | | | | | | Drawn | 19.04.2010 | Alex | |
| X. | ±0.50 | | | | | | Approved | 19.04.2010 | Hellwig | |
| X.X | ±0.30 | | | | | | | | | |
| X.XX | ±0.10 | | | | | | | | | |
| DIM | TOL | | | | | | | | Drawing-No. | |
| X.° | ±1° | | | | | | | | ASSMANN WSW-No. A-TB500-HAxxV | |
| | | © | Drawn | 19.04.2010 | Alex | | | | ASS 4119 CO | rev00 |
| Angle | TOL | Id. | Modification | Date | Name | | | Replace | Sheet | |