

Alubos Product Drawings Last Updated 6/3/2008

Rose+Bopla Enclosures
7330 Executive Way
Frederick, MD 21704
301-696-9800
www.rose-bopla.com
rbinfo@pm-usa.com



By using the ALUBOS Adapter, AB-AP..., you can combine operating and display screens in two ALUBOS enclosures. The linked enclosures offer a wide range of uses as handheld, desktop or wall enclosures. You can also benefit from the advantages of ALUBOS, such as sturdiness, RFI protection, ease of assembly and the easy fitting of membrane keypads.

TECHNICAL DATA:

- Color: Powdercoated Satin Black, similar to RAL 9005, fine texture finish. Special colors and minimum order quantities on request.
- Material—Aluminum, Al Mg Si 0.5, powder-coated aluminum diecast lid GC-Al Si 12 Cu 3, powder-coated. See Aluminum specifications in the Technical Information Chapter.
- Protection Classifications:
Up to Nema 4X
IP 65, DIN VDE 0470
IP40, when using parallel adapters (AB-AP) with 600, 800 and 1000 extrusions.

Note: Dimensions are external. Metric is the primary dimension. Inch conversions are for the user's convenience and are for reference only. All extrusions sold in 1 meter lengths.

The new ALUBOS enclosure line offers custom sizing options for robust hand-held applications. The basis for the ALUBOS system is a series of aluminum extrusions, sold in meter lengths.

Alubos

The standard ALUBOS profiles are available in 9 sizes: 57mm x 32mm; 82mm x 32mm; 82mm x 22mm; 106mm x 32mm; 106mm x 42mm; 108mm x 42mm; 138mm x 34mm; 169mm x 52mm; 169mm x 82mm; and 210mm x 74mm (external dimensions). Extrusions are designed with guide grooves inside for printed circuit boards. All of the standard extrusions are offered with a satin black, fine texture, powder-coat finish or as bare aluminum, (special order) which can be painted or powder-coated.

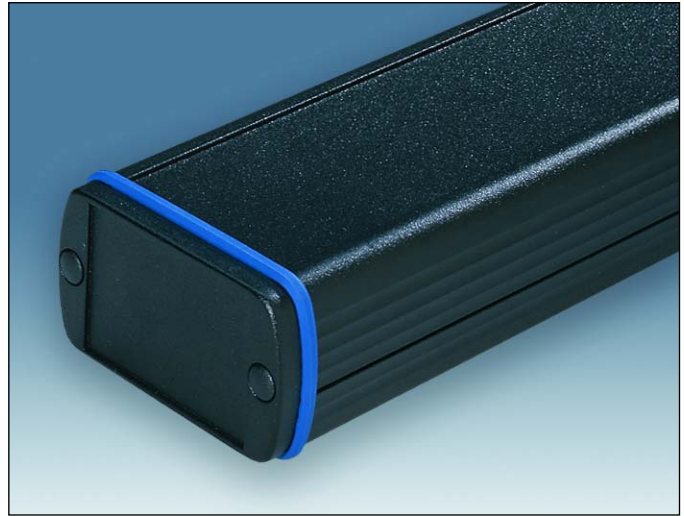
The latest addition to the line is the 2-part ALUBOS enclosure. The 2-part version offers more convenient mounting options, with integrated slot-in grooves that easily enable the insertion of printed circuit boards into an open enclosure. The sealing between the two profiles, as well as between the ends of the profiles ensures an ingress protection IP 65. The 2-part enclosure consists of a base and top shell and is offered in 7 sizes: 57mm x 32mm; 82mm x 32mm; 82mm x 22mm; 106mm x 42mm; 138 x 34mm; and 169mm x 82mm. These profiles are only available in black powder-coat finish.

All ALUBOS versions have a wide range of accessories available, from die-cast endcaps and wall-mount brackets to integrated battery compartments and adapters for combining profiles. Black seals are standard, however, colored seals are offered to give your ALUBOS a more individual touch.

Alubos Profiles						
Model #	Part #	Length (Inches/mm)	Width (Inches/mm)	Height (Inches/mm)	Weight	
ABP 600-1000	84060000	39.37/1000	2.24 / 57	1.26 / 32	1.74 lbs	
ABP 800-1000	84080000	39.37/1000	3.23 / 82	1.26 / 32	2.36 lbs	
ABP 820-1000	84820000	39.37/1000	3.23 / 82	.87 / 22	2.65 lbs	
ABP 1000-1000	84100000	39.37/1000	4.17 / 106	1.26 / 32	3.11 lbs	
ABP 1040-1000	84040000	39.37/1000	4.25 / 108	1.65 / 42	4.19 lbs	
ABP 1300-1000	84130000	39.37/1000	5.43 / 138	1.34 / 34	4.63 lbs	
ABP 1600-1000	84160001	39.37/1000	6.65 / 169	2.05 / 52	6.40 lbs	
ABP 1680-1000	84680000	39.37/1000	6.65 / 169	3.23 / 82	10.58 lbs	
ABP 2070-1000	84207000	39.37/1000	8.27 / 210	2.91 / 74	11.90 lbs	
ABPH 600-1000	84066001	39.37/1000	2.24 / 57	1.26 / 32	1.74 lbs	
ABPH 800-1000	84086001	39.37/1000	3.23 / 82	1.26 / 32	2.36 lbs	
ABPH 820-1000	84826000	39.37/1000	3.23 / 82	.87 / 22	2.65 lbs	
ABPH 1000-1000	84106001	39.37/1000	4.17 / 106	1.26 / 32	3.11 lbs	
ABPH 1040-1000	84046000	39.37/1000	4.25 / 108	1.65 / 42	4.19 lbs	
ABPH 1300-1000	84136000	39.37/1000	5.43 / 138	1.34 / 34	4.63 lbs	
ABPH 1680-1000	84686000	39.37/1000	6.65 / 169	3.23 / 82	10.58 lbs	
ABPU 820-1000	84827000	39.37/1000	3.23 / 82	.87 / 22	2.65 lbs	
ABPU 1040-1000	84047000	39.37/1000	4.25 / 108	1.65 / 42	4.19 lbs	
ABPU 1300-1000	84137000	39.37/1000	5.43 / 138	1.34 / 34	4.63 lbs	
ABPU 1680-1000	84687000	39.37/1000	6.65 / 169	3.23 / 82	10.58 lbs	

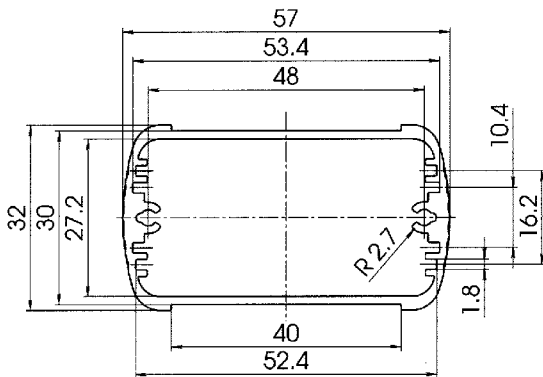
ABP=Closed profile, ABPH=Horizontally split profile, ABPU=Extrusion open on one side

Alubos 600				
Model #	Part #	Type	Description	
ABP 600-1000	84060000	Extrusion	Closed Extrusion only, satin black powder coated, fine texture Aluminum (sold by the meter)	
ABPH 600-1000	84066001	Extrusion	Split Extrusion only, satin black powder coated, fine texture Aluminum (sold by the meter)	
Accessories				
Model #	Part #	Type	Description	Drawing Page #
ABM 600 AL	84062000	Lid	Mounting lid, satin black powder-coat, fine texture aluminum profile cap	17- 98
ABM 600 IR	84063000	Lid	Mounting lid, infrared-permissive plastic cap	17- 98
ABM 600 SAL	84064000	Lid	Mounting lid, satin black powder-coat fine texture aluminum hinged cap	17- 98
ABM 600 AL-BE	84062100	Lid	Mounting lid, satin black powder-coat fine texture aluminum profile cap, battery compartment for 9 V block	17- 98
ABM 600 IR-BE	84063100	Lid	Mounting lid, infrared-permissive plastic cap, battery compartment for 9 V block	17- 98
ABM 600 SAL-BE	84064100	Lid	Mounting lid, satin black powder-coat fine texture aluminum hinged cap, battery compartment for 9 V block	17- 98
ABD 600	84061000	Lid	End lid, satin black powder-coat fine texture aluminum	17- 98
DI 600-RFI	84200615	RFI Gasket	• Seal, black, 10 piece pack	17- 98
DI 600-5002	84200614	Gasket	• Seal, ultramarine, 10 piece pack	17- 98
DI 600-3000	84200611	Gasket	• Seal, flame red, 10 piece pack	17- 98
DI 600-1021	84200612	Gasket	• Seal, yellow, 10 piece pack	17- 98
DI 600-6000	84200613	Gasket	• Seal, patina green, 10 piece pack	17- 98
AB 600 WLV	84065000	Bracket	Adjustable Wall Bracket	17-107
AB-WL	84005000	Bracket	Wall bracket	17-108
AB-AP 60	84006000	Adapter	Parallel Adapter, 60 mm length	17-109
AB-AP 100	84010000	Adapter	Parallel Adapter, 100 mm length	17-109
AB-AP 150	84015000	Adapter	Parallel Adapter, 150 mm length	17-109



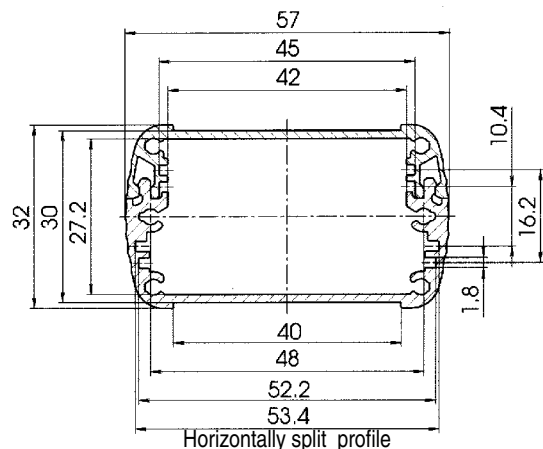
ABP= Closed profile, ABPH= Horizontally split profile
Accessories include black seals, screws, & screw covers
Unpainted extrusions or lids are special order.

ABP 600



Enclosure profile

ABPH 600



Horizontally split profile

Alubos

Alubos



Alubos 800				
Model #	Part #	Type	Description	
ABP 800-1000	84080000	Extrusion	Closed Extrusion only, satin black powder coated, fine texture Aluminum (sold by the meter)	
ABPH 800-1000	84086001	Extrusion	Horizontally Split Extrusion only, satin black powder coated, fine texture Aluminum (sold by the meter)	
Accessories				
Model #	Part #	Type	Description	Drawing Page #
ABM 800 AL	84082000	Lid	Mounting lid, satin black powder-coat, fine texture aluminum profile cap	17- 99
ABM 800 IR	84083000	Lid	Mounting lid, infrared-permissive plastic cap	17- 99
ABM 800 SAL	84084000	Lid	Mounting lid, satin black powder-coat, fine texture aluminum hinged cap	17- 99
ABM 800 AL-BE	84082100	Lid	Mounting lid, satin black powder-coat, fine texture aluminum profile cap, battery compartment for 9 V block	17- 99
ABM 800 IR-BE	84083100	Lid	Mounting lid, infrared-permissive plastic cap, battery compartment for 9 V block	17- 99
ABM 800 SAL-BE	84084100	Lid	Mounting lid, satin black powder-coat, fine texture aluminum hinged cap, battery compartment for 9 V block	17- 99
ABD 800	84081000	Lid	End lid, satin black powder-coat, fine texture aluminum	17- 99
ABA 800-1000	84002000	Adapter	Axial adapter for ALUBOS 800/100	17-110
DI 800-RFI	84200815	RFI Gasket	● Seal, black, 10 piece pack	17- 99
DI 800-5002	84200814	Gasket	● Seal, ultramarine, 10 piece pack	17- 99
DI 800-3000	84200811	Gasket	● Seal, flame red, 10 piece pack	17- 99
DI 800-1021	84200812	Gasket	● Seal, yellow, 10 piece pack	17- 99
DI 800-6000	84200813	Gasket	● Seal, patina green, 10 piece pack	17- 99
AB 800 WLW	84085000 ¹⁾	Bracket	Adjustable Wall Bracket	17-107
AB-WL	84005000	Bracket	Wall Bracket	17-108
AB-AP 60	84006000	Adapter	Parallel Adapter, 60 mm length	17-109
AB-AP 100	84010000	Adapter	Parallel Adapter, 100 mm length	17-109
AB-AP 150	84015000	Adapter	Parallel Adapter, 150 mm length	17-109

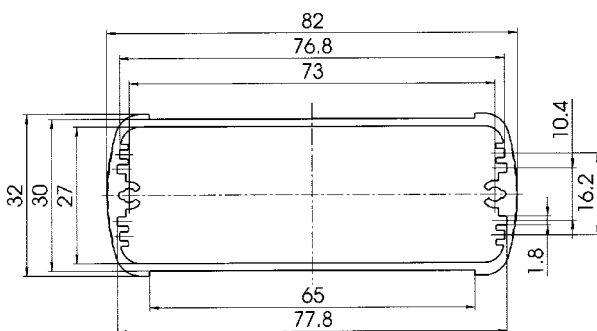
ABP= Closed profile, ABPH= Horizontally split profile

¹⁾also for use with AB 820

Accessories include black seals, screws, & screw covers

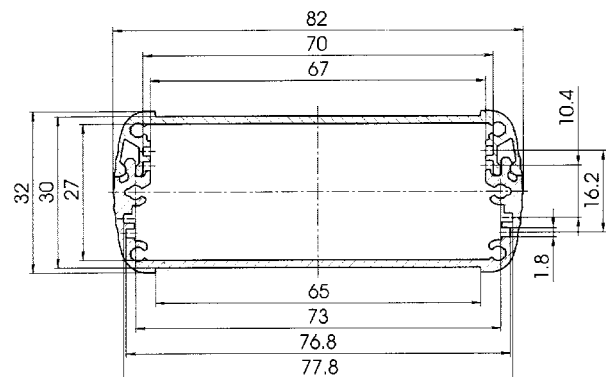
Unpainted extrusions or lids are special order

ABP 800



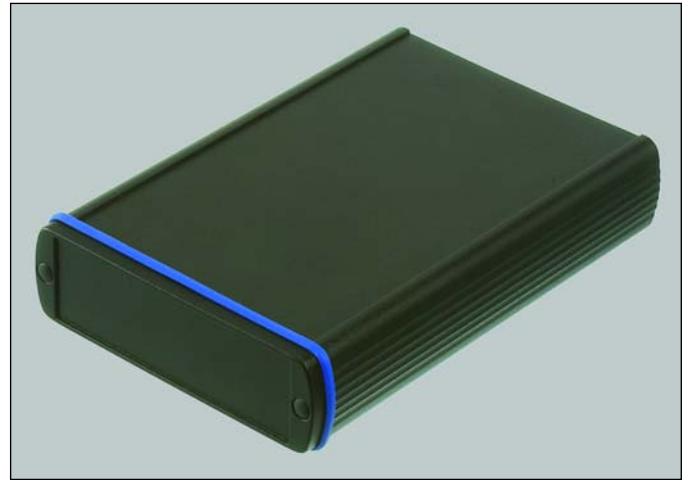
Enclosure profile

ABPH 800



Horizontally split profile

Alubos 820				
Model #	Part #	Type	Description	
ABP 820-1000	84820000	Extrusion	Closed Extrusion only, satin black powder coated, fine texture Aluminum (sold by the meter).	
ABPH 820-1000	84826000	Extrusion	Horizontally Split Extrusion only, satin black powder coated, fine texture Aluminum (sold by the meter).	
ABPU 820-1000	84827000	Extrusion	Extrusion open on one side, satin black powder coated, fine texture aluminum (sold by the meter).	
Accessories				
Model #	Part #	Type	Description	Dwg Pg. #
ABPU 820-1000 FP 2	84828000	Slide in lid	Sold by the meter - unpainted	17-100
ABD 820	84821000	Lid	End lid, satin black powder-coat fine texture, aluminum	17-100
DI 820-RFI	84208215	RFI Gasket	● Seal, black, 10 piece pack	17-100
DI 820-5002	84208214	Gasket	● Seal, ultramarine, 10 piece pack	17-100
DI 820-3000	84208211	Gasket	● Seal, flame red, 10 piece pack	17-100
DI 820-1021	84208212	Gasket	● Seal, yellow, 10 piece pack	17-100
DI 820-6000	84208213	Gasket	● Seal, patina green, 10 piece pack	17-100
AB-WL 1	84008000	Bracket	Wall Bracket	17-108



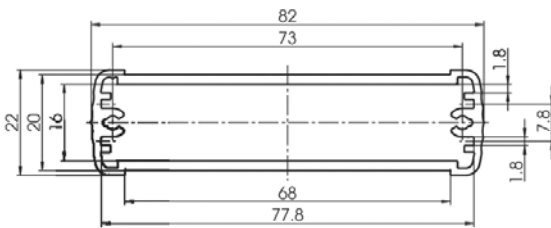
ABP= Closed profile, ABPH= horizontally split profile

ABPU=Extrusion open on one side

Accessories include black seals, screws, & screw covers

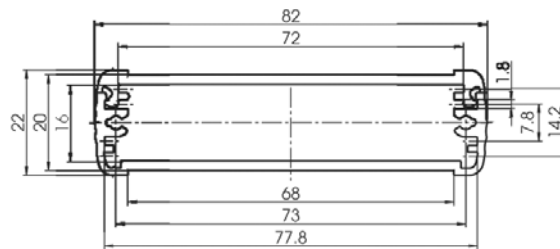
Unpainted extrusions or lids are special order.

ABP 820



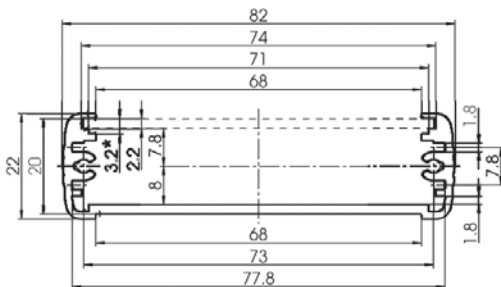
Enclosure profile

ABPH 820



Horizontally split profile

ABPU 820



Open extrusion

*Note: when using a 3mm front panel, this contact area must be milled down to 2mm.

Alubos

Alubos



Alubos 1000				
Model #	Part #	Type	Description	
ABP 1000-1000	84100000	Extrusion	Closed Extrusion only, satin black powder coat, fine texture Aluminum (sold by the meter)	
ABPH 1000-1000	84106001	Extrusion	Horizontally Split Extrusion only, satin black powder coat, fine texture Aluminum (sold by the meter)	
Accessories				
Model #	Part #	Type	Description	Drawing Page #
ABM 1000 AL	84102000	Lid	Mounting lid, satin black powder-coat, fine texture, aluminum profile cap	17- 101
ABM 1000 IR	84103000	Lid	Mounting lid, infrared-permissive plastic cap	17- 101
ABM 1000 SAL	84104000	Lid	Mounting lid, satin black powder-coat, fine texture aluminum hinged cap	17- 101
ABM 1000 AL-BE	84102100	Lid	Mounting lid, satin black powder-coat, fine texture, aluminum profile cap, battery compartment for 9 V block	17- 101
ABM 1000 IR-BE	84103100	Lid	Mounting lid, infrared-permissive plastic cap, battery compartment for 9 V block	17- 101
ABM 1000 SAL-BE	84104100	Lid	Mounting lid, satin black powder-coat fine texture, aluminum hinged cap, battery compartment for 9 V block	17- 101
ABD 1000	84101000	Lid	End lid, satin black powder-coat fine texture, aluminum	17- 101
ABA 800-1000 ¹⁾	84002000	Adapter	Axial adapter for ALUBOS 800/1000	17- 110
DI 1000-RFI	84201015	RFI Gasket	• Seal, black, 10 piece pack	17- 101
DI 1000-5002	84201014	Gasket	• Seal, ultramarine, 10 piece pack	17- 101
DI 1000-3000	84201011	Gasket	• Seal, flame red, 10 piece pack	17- 101
DI 1000-1021	84201012	Gasket	• Seal, yellow, 10 piece pack	17- 101
DI 1000-6000	84201013	Gasket	• Seal, patina green, 10 piece pack	17- 101
AB 1000 WLW	84105000 ²⁾	Bracket	Adjustable Wall Bracket	17-107
AB-WL	84005000	Bracket	Wall bracket	17-108
AB-AP 60	84006000	Adapter	Parallel Adapter, 60 mm length	17-109
AB-AP 100	84010000	Adapter	Parallel Adapter, 100 mm length	17-109
AB-AP 150	84015000	Adapter	Parallel Adapter, 150 mm length	17-109

ABP= Closed profile, ABPH= Horizontally split profile

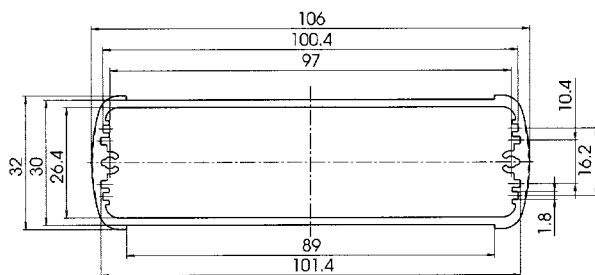
¹⁾ ALUBOS axial adapter adapts an ABP 800 to an ABP 1000

²⁾ also for use with AB 1040, swivel angle 80°

Accessories include black seals, screws, & screw covers

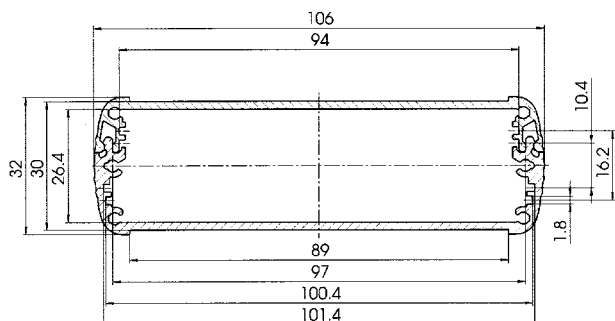
Unpainted extrusions or lids are special order.

ABP 1000



Enclosure profile

ABPH 1000



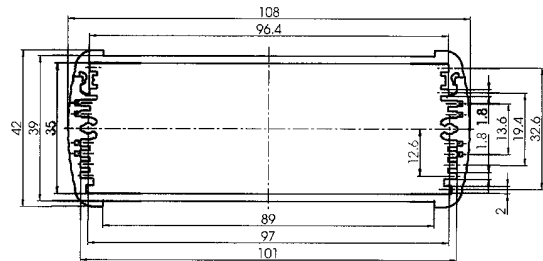
Horizontally split profile

Alubos 1040				
Model #	Part #	Type	Description	
ABP 1040-1000	84040000	Extrusion	Closed Extrusion only, satin black powder coated, fine texture Aluminum (sold by the meter)	
ABPH 1040-1000	84046000	Extrusion	Horizontally Split Extrusion only, satin black powder coated, fine texture Aluminum (sold by the meter)	
ABPU 1040-1000	84047000	Extrusion	Extrusion open on one side, satin black powder coated, fine texture Aluminum (sold by the meter)	
Accessories				
Model #	Part #	Type	Description	Drawing Page #
ABPU 1040 FP2*	84048000	Lid	Slide in lid for APBU 1040, unpainted	17-102
ABM 1040 AL	84042000	Lid	Mounting lid, satin black powder-coat, fine texture, aluminum profile cap	17-102
ABM 1040 SAL	84044000	Lid	Mounting lid, satin black powder-coat, fine texture, aluminum hinged cap	17-102
ABD 1040	84041000	Lid	End lid, satin black powder-coat, fine texture, aluminum	17-102
DI 1040-RFI	84200415	RFI Gasket	• Seal, black, 10 piece pack	17-102
DI 1040-5002	84200414	Gasket	• Seal, ultramarine, 10 piece pack	17-102
DI 1040-3000	84200411	Gasket	• Seal, flame red, 10 piece pack	17-102
DI 1040-1021	84200412	Gasket	• Seal, yellow, 10 piece pack	17-102
DI 1040-6000	84200413	Gasket	• Seal, patina green, 10 piece pack	17-102
AB-WL 2	84007000	Bracket	Wall Bracket	17-108

ABP= Closed profile, ABPH= Horizontally split profile
 ABPU= Extrusion open on one side
 *Meter length, unpainted
 Accessories include black seals, screws, & screw covers.
 Unpainted extrusions and lids are special order.

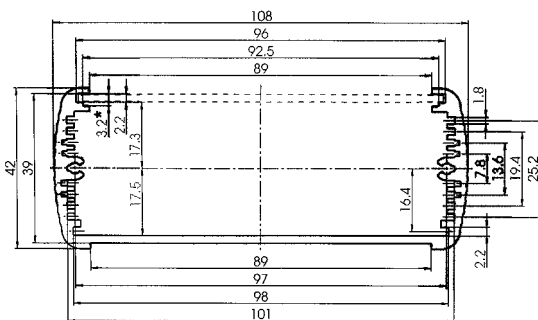


ABPH 1040



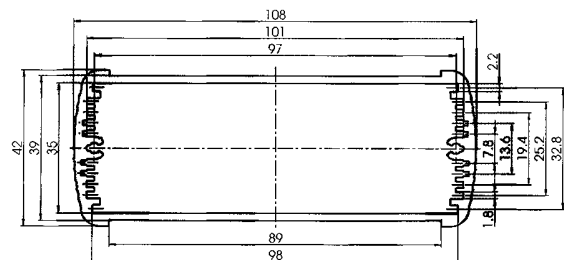
Horizontally split profile

ABPU 1040



Open extrusion

ABP 1040



Closed profile

*Note: when using a 3mm front panel, this contact area must be milled down to 2 mm.

Alubos

Alubos



Alubos 1300				
Model #	Part #	Type	Description	
ABP 1300-1000	84130000	Extrusion	Closed Extrusion only, satin black powder coated, fine texture Aluminum (sold by the meter)	
ABPH 1300-1000	84136000	Extrusion	Horizontally Split Extrusion only, satin black powder coated, fine texture Aluminum (sold by the meter)	
ABPU 1300-1000	84137000	Extrusion	Extrusion open on one side, satin black powder coated, fine texture Aluminum (sold by the meter)	
Accessories				
Model #	Part #	Type	Description	Drawing Page #
ABM 1300 AL	84132000	Lid	Mounting lid, satin black powder-coat fine texture, aluminum profile cap	17-103
ABM 1300 SAL	84134000	Lid	Mounting lid, satin black powder-coat fine texture, aluminum hinged cap	17-103
ABD 1300	84131000	Lid	End lid, satin black powder-coated fine texture, aluminum	17-103
ABPU 1300 FP2	84138000	Lid	Slide in lid, sold by the meter, unpainted	17-103
DI 1300-RFI	84201615	RFI Gasket	● Seal, black, 10 piece pack	17-103
DI 1300-5002	84201614	Gasket	● Seal, ultramarine, 10 piece pack	17-103
DI 1300-3000	84201616	Gasket	● Seal, flame red, 10 piece pack	17-103
DI 1300-1021	84201612	Gasket	● Seal, yellow, 10 piece pack	17-103
DI 1300-6000	84201613	Gasket	● Seal, patina green, 10 piece pack	17-103
AB-WL	84005000	Bracket	Wall Bracket	17-108

ABP= Closed profile, ABPH= Horizontally split profile
 ABPU= Extrusion open on one side
 Unpainted extrusions and lids are special order.
 Accessories include black seals, screws, & screw covers.

ABP 1300



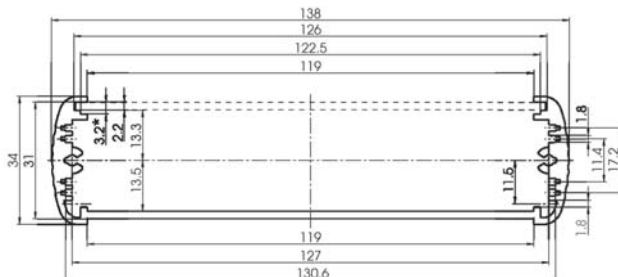
Closed profile

ABPH 1300



Horizontally split profile

ABPU 1300

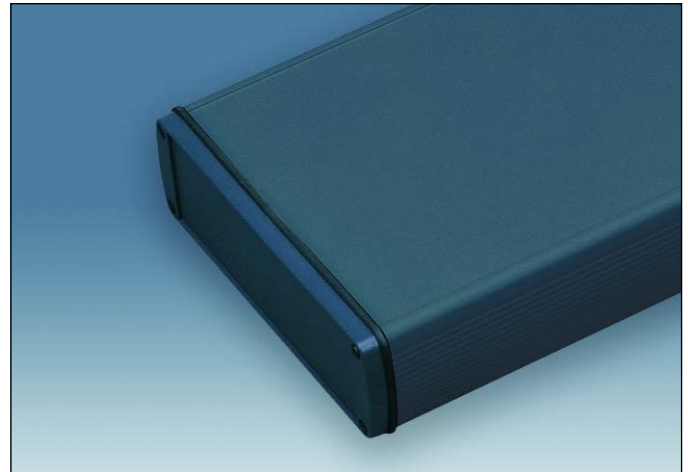


Open extrusion

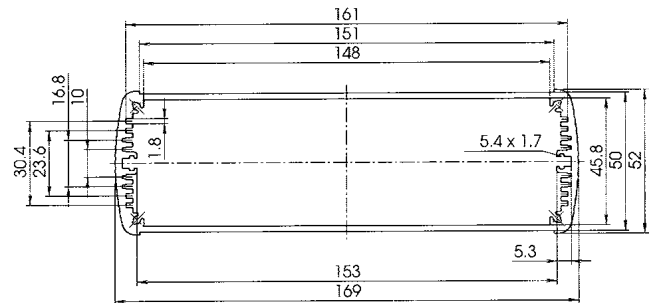
*Note: when using a 3 mm front panel, this contact area must be milled down to 2 mm.

Alubos 1600				
Model #	Part #	Type	Description	
ABP 1600-1000	84160001	Extrusion	Closed Extrusion only, satin black powder coated, fine texture Aluminum (sold by the meter)	
Accessories				
Model #	Part #	Type	Description	Drawing Page #
ABD 1600	84161000	Lid	End lid, satin black powder-coat fine texture, aluminum seals, screws, screw covers	17-104
AB 1600 HS	84162000	Handle	Designed for fitting the ABP 1600 profile, adjustable.	17-110
DI 1600-RF1	84201615	RFI Gasket	● Seal, black, 10 piece pack	17-104
DI 1600-5002	84201614	Gasket	● Seal, ultramarine, 10 piece pack	17-104
DI 1600-3000	84201616	Gasket	● Seal, flame red, 10 piece pack	17-104
DI 1600-1021	84201612	Gasket	● Seal, yellow, 10 piece pack	17-104
DI 1600-6000	84201613	Gasket	● Seal, patina green, 10 piece pack	17-104
AB 1600 WL	84165000	Bracket	Wall Bracket	17-108
AB-WL 3	84008000	Bracket	Wall Bracket	17-108

ABP= Closed profile
Accessories include black seals, screws, & screw covers
Unpainted extrusions and lids are special order.

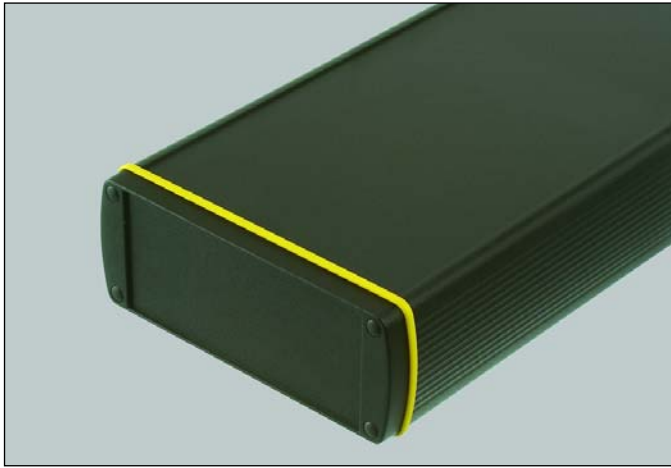


ABP 1600

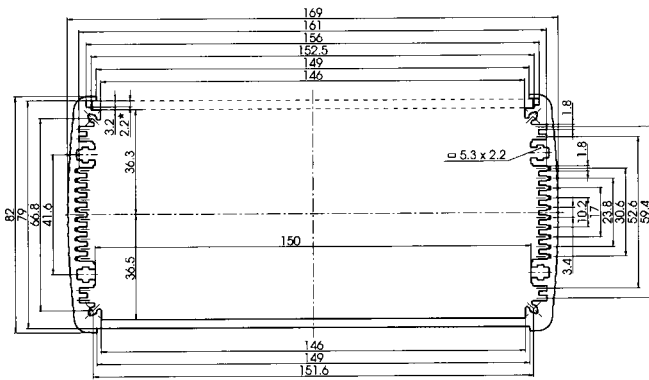


Closed profile

Alubos

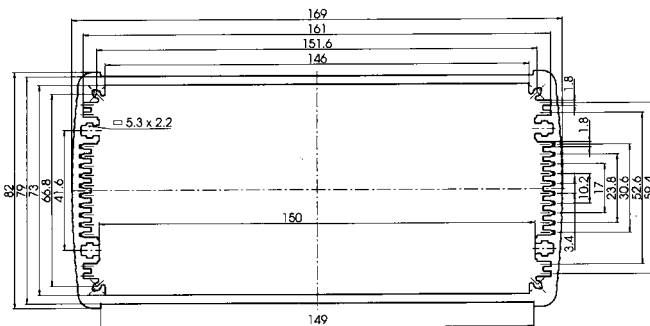


ABPU 1680



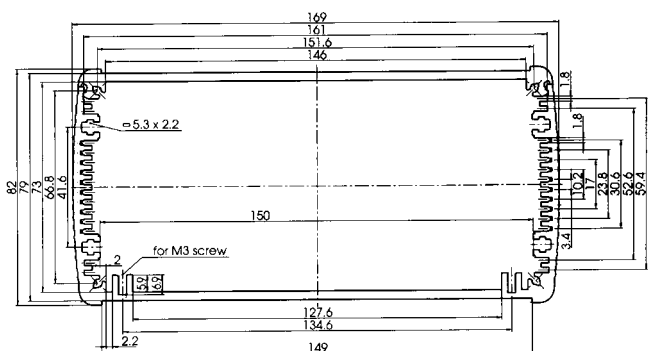
Open Extrusion

ABP 1680



Closed Profile

ABPH 1680



Horizontally split profile

Alubos 1680

Model #	Part #	Type	Description
ABP 1680-1000	84680000	Extrusion	Closed Extrusion only, satin black powder coated, fine texture Aluminum (sold by the meter)
ABPH 1680-1000	84686000	Extrusion	Horizontally Split Extrusion only, satin black powder coated, fine texture Aluminum (sold by the meter)
ABPU 1680-1000	84687000	Extrusion	Extrusion open on one side, satin black powder coated, fine texture Aluminum (sold by the meter)

Accessories

Model #	Part #	Type	Description	Drawing Page #
ABD 1680	84168100	Lid	End lid, satin black powder-coat fine texture, aluminum, seals, screws, screw covers	17-105
ABPU 1680-1000 FP3	84168100	Lid	Slide in lid, sold by the meter, unpainted	17-105
DI 1680-RFI	84689000	RFI Gasket	• Seal, black, 10 piece pack	17-105
DI 1680-5002	84206815	Gasket	• Seal, ultramarine, 10 piece pack	17-105
DI 1680-3000	84206814	Gasket	• Seal, flame red, 10 piece pack	17-105
DI 1680-1021	84206811	Gasket	• Seal, yellow, 10 piece pack	17-105
DI 1680-6000	84206812	Gasket	• Seal, patina green, 10 piece pack	17-105
AB-WL 3	84206813	Bracket	Wall Bracket	17-108
AB 1600 HS	84008000	Handle	Adjustable handle	17-110

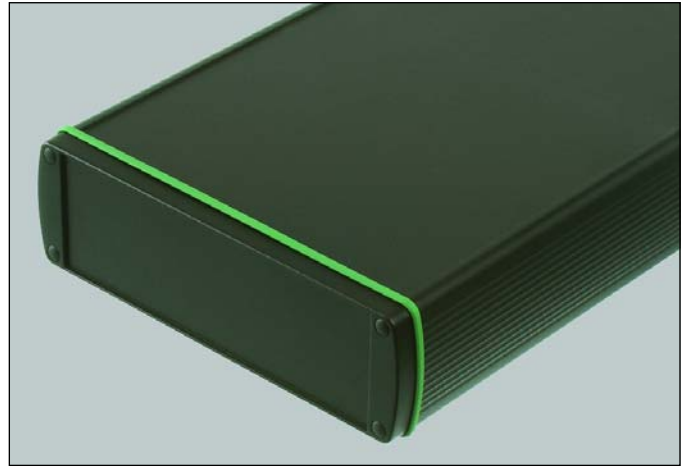
ABP= Closed profile, ABPH= Horizontally split profile

ABPU=Extrusion open on one side.

Accessories include black seals, screws, & screw covers

Unpainted extrusions and lids are special order.

Alubos 2070				
Model #	Part #	Type	Description	
ABP 2070-1000	84207000	Extrusion	Closed Extrusion only, satin black powder coated, fine texture Aluminum (sold by the meter)	
Accessories				
Model #	Part #	Type	Description	Drawing Page #
ABD 2070	84271000	Lid	End lid, satin black powder-coat, fine texture, aluminum, seals, screws, screw covers	17-106
DI 2070-RFI	84202715	RFI Gasket	● Seal, black, 10 piece pack	17-106
DI 2070-5002	84202714	Gasket	● Seal, ultramarine, 10 piece pack	17-106
DI 2070-3000	84202711	Gasket	● Seal, flame red, 10 piece pack	17-106
DI 2070-1021	84202712	Gasket	● Seal, yellow, 10 piece pack	17-106
DI 2070-6000	84202713	Gasket	● Seal, patina green, 10 piece pack	17-106
AB 2000 HS	84200000	Handle	Adjustable Handle	17-110
AB-WL 3	84008000	Bracket	Wall Bracket	17-108



ABP= Closed profile
Accessories include black seals, screws, & screw covers
Unpainted extrusions and lids are special order.

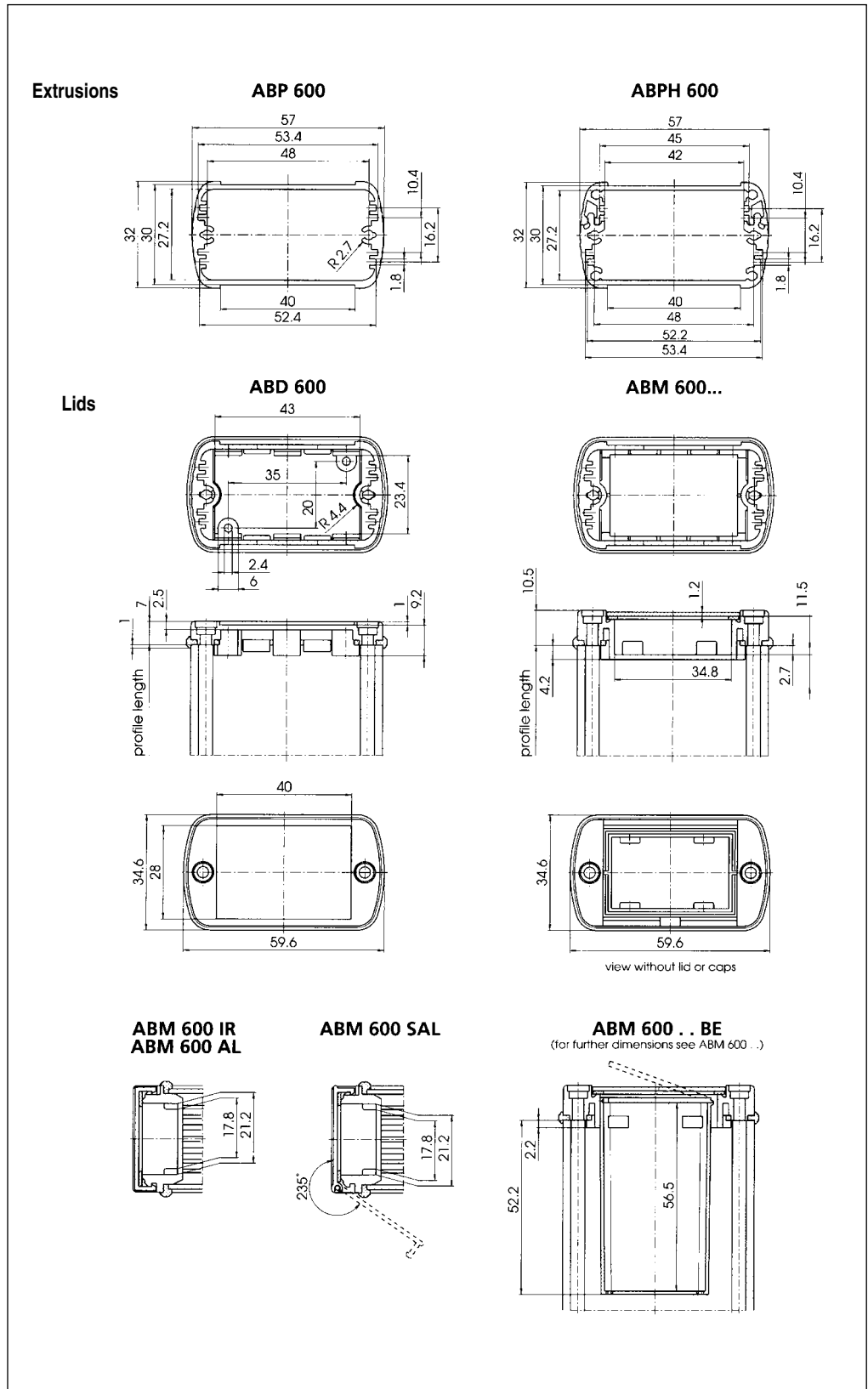
ABP 2070

ABP 2070



Closed profile

Standard Features
<ul style="list-style-type: none"> • ABP 600-1000/84060000 Closed aluminum extrusion, sold in meter lengths. Black powdercoat. • ABPH 600-1000/84066001 Split aluminum extrusion, sold in meter lengths. Black powdercoat. <p>For further information, contact Rose+Bopla</p>
Accessories
<ul style="list-style-type: none"> • ABM 600 AL/84062000 Mounting lid, aluminum profile cap. Black powdercoat. • ABM 600 IR/84063000 Mounting lid, infrared-permissive plastic cap. • ABM 600 SAL/84064000 Mounting lid, aluminum hinged cap. Black powdercoat. • ABM 600 AL-BE/84062100 Mounting lid, aluminum profile cap, battery compartment for 9 V block. Black powdercoat. • ABM 600 IR-BE/84063100 Mounting lid, infrared-permissive plastic cap, battery compartment for 9 V block. • ABM 600 SAL-BE/84064100 Mounting lid, aluminum hinged cap, battery compartment for 9 v block. Black powdercoat. • ABD 600/84061000 End lid. • DI 600-RFI/84200615 RFI Gasket, black, 10 piece pack. • DI 600-5002/84200614 Gasket, ultramarine, 10 piece pack. • DI 600-3000/84200611 Gasket, flame red, 10 piece pack. • DI 600-1021/84200612 Gasket, sulphur yellow, 10 piece pack. • DI 600-6000/84200613 Gasket, patina green, 10 piece pack. • AB 600 WL/84065000 Adjustable wall bracket • AB-WL/84005000 Wall bracket • AB-AP 60/84006000 Parallel adapter, 60 mm length • AB-AP 100/84010000 Parallel adapter, 100 mm length • AB-AP 150/84015000 Parallel adapter, 150 mm length • AB 600 MKL/84006600 Mounting clamp for ALUBOS 600 • AB MKL/84006300 Mounting clamp for ALUBOS 600

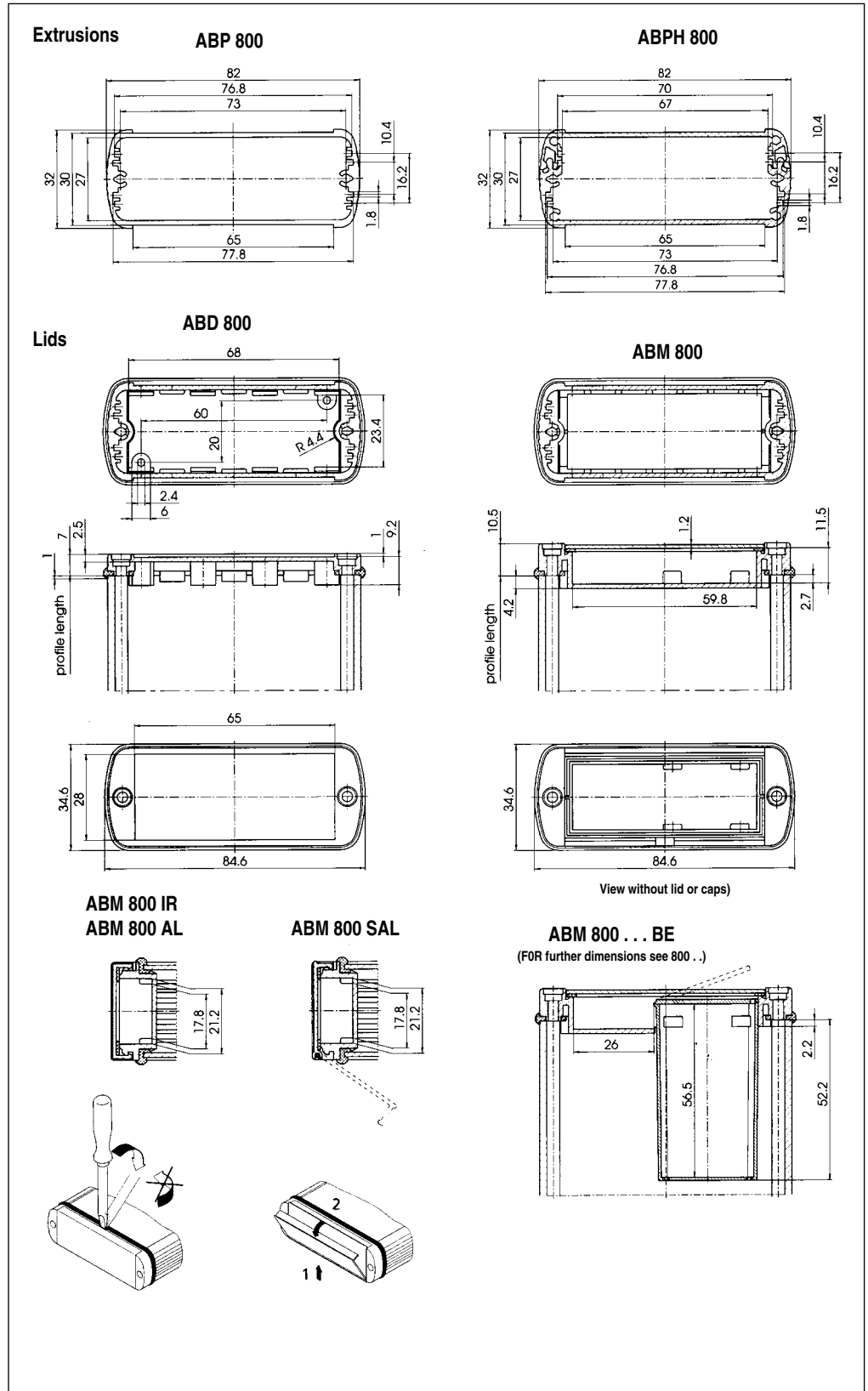


Alubos 800

External Dimensions: L 1000 x W 82 x H 32 mm

Page 3-24

Standard Features
<ul style="list-style-type: none"> • ABP 800-1000/84080000 Closed aluminum extrusion, sold in meter lengths. Black powdercoat. • ABPH 800-1000/84086001 Split aluminum extrusion, sold in meter lengths. Black powdercoat. <p>For further information, contact Rose+Bopla</p>
Accessories
<ul style="list-style-type: none"> • ABM 800 AL/84082000 Mounting lid, aluminum profile cap. Black powdercoat. • ABM 800 IR/84083000 Mounting lid, infrared-permissive plastic cap. • ABM 800 SAL/84084000 Mounting lid, aluminum hinged cap. Black powdercoat. • ABM 800 AL-BE/84082100 Mounting lid, aluminum profile cap, battery compartment for 9 V block. Black powdercoat. • ABM 800 IR-BE/84083100 Mounting lid, infrared-permissive plastic cap, battery compartment for 9 V block. • ABM 800 SAL-BE/84084100 Mounting lid, aluminum hinged cap, battery compartment for 9 V block. Black powdercoat. • ABD 800/84081000 End lid, powder-coated aluminum. Black powdercoat. • ABA 800-1000/84002000 Axial adapter for ALUBOS 800/1000. Black powdercoat. • DI 800-RFI/84200815 RFI Gasket, black, 10 piece pack. • DI 800-5002/84200814 Gasket, ultramarine, 10 piece pack. • DI 800-3000/84200811 Gasket, flame red, 10 piece pack. • DI 800-1021/84200812 Gasket, sulphur yellow, 10 piece pack. • DI 800-6000/84200813 Gasket, patina green, 10 piece pack. • AB 800 WL/84085000¹⁾ Adjustable wall bracket • AB-WL/84005000 Wall bracket • AB-AP 60/84006000 Parallel adapter, 60 mm length • AB-AP 100/84010000 Parallel adapter, 100 mme length • AB-AP 150/84015000 Parallel adapter, 150mm length • AB 800 MKL/84006400 Mounting clamp for ALUBOS 800 • AB-MKL/84006300 Mounting clamp for ALUBOS 800

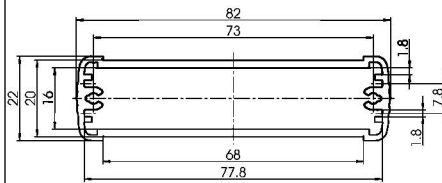


Dimensional Drawings

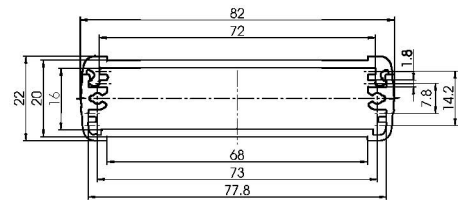
Standard Features
<ul style="list-style-type: none"> • ABP 820-1000/84820000 Closed aluminum extrusion, sold in meter lengths. Black powdercoat. • ABPH 820-1000/84826000 Split aluminum extrusion, sold in meter lengths. Black powdercoat. • ABPU 820-1000/84827000 Open aluminum extrusion, sold in meter lengths. Black powdercoat. <p>For further information, contact Rose+Bopla</p>
Accessories
<ul style="list-style-type: none"> • ABD 820/84821000 End lid, powder-coated aluminum. Black powdercoat. • ABPU 820-1000 FP2/84828000 Slide in lid (sold by meter). Anodized aluminum. • DI 820-RFI/84208215 RFI Gasket, black, 10 piece pack. • DI 820-5002/84208214 Gasket, ultramarine, 10 piece pack. • DI 820-3000/84208211 Gasket, flame red, 10 piece pack. • DI 820-1021/84208212 Gasket, sulphur yellow, 10 piece pack. • DI 820-6000/84208213 Gasket, patina green, 10 piece pack. • AB-WL1/84008000 Wall bracket

Extrusions

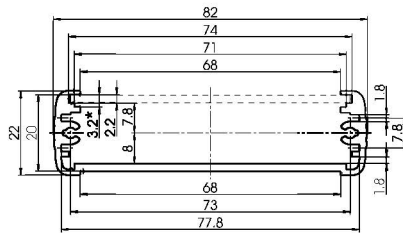
ABP 820



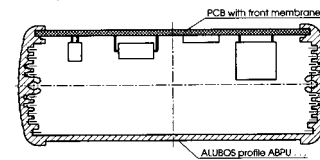
ABPH 820



ABPU 820



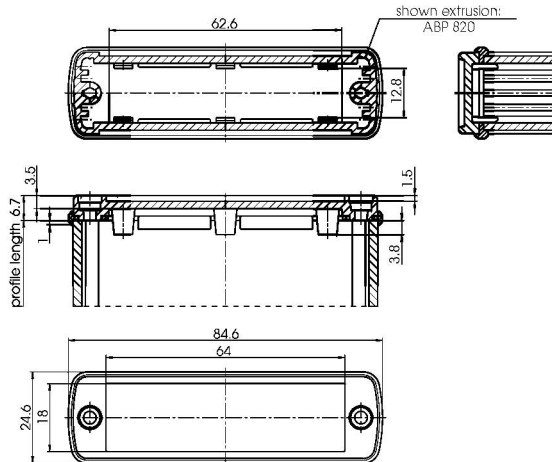
Example of ABPU application



*Note: when using a 3 mm front panel, this contact area must be milled down to 2 mm.

Lid

ABD 820





Alubos 1000

External Dimensions: L 1000 x W 106 x H 32 mm

Standard Features

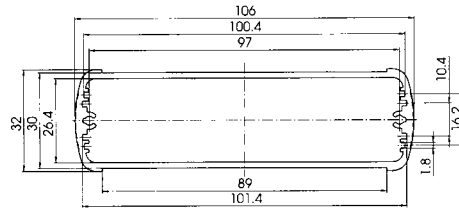
- **ABP 1000-1000/84100000** Closed aluminum extrusion, sold in meter lengths. Black powdercoat.
 - **ABPH 1000-1000/84106001** Split aluminum extrusion, sold in meter lengths. Black powdercoat.
- For further information, contact Rose+Bopla

Accessories

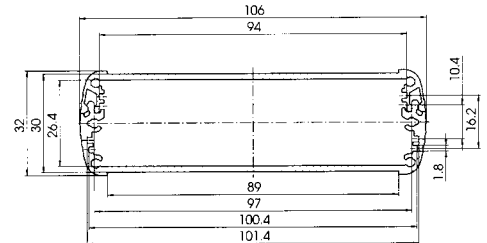
- **ABM 1000 AL/84102000** Mounting lid, aluminum profile cap. Black powdercoat.
- **ABM 1000 IR/84103000** Mounting lid, infrared-permissive plastic cap.
- **ABM 1000 SAL/84104000** Mounting lid, aluminum hinged cap. Black powdercoat.
- **ABM 1000 AL-BE/84102100** Mounting lid, aluminum profile cap, battery compartment for 9 V block. Black powdercoat.
- **ABM 1000 IR-BE/84103100** Mounting lid, infrared-permissive plastic cap, battery compartment for 9 V block.
- **ABM 1000 SAL-BE/84104100** Mounting lid, aluminum hinged cap, battery compartment for 9 V block. Black powdercoat.
- **ABD 1000/84101000** End lid. Black powdercoat.
- **ABA 800-1000/84002000** Axial adapter for ALUBOS 800/1000. Black powdercoat.
- **DI 1000-RF/84201015** RFI Gasket, black, 10 piece pack.
- **DI 1000-5002/84201014** Gasket, ultramarine, 10 piece pack..
- **DI 1000-3000/84201011** Gasket, flame red, 10 piece pack.
- **DI 1000-1021/84201012** Gasket, sulphur yellow, 10 piece pack.
- **DI 1000-6000/84201013** Gasket, patina green, 10 piece pack.
- **AB 1000 WLV/84105000²** Adjustable wall bracket
- **AB-WL/84005000** Wall bracket
- **AB-AP 60/84006000** Parallel adapter, 60 mm length
- **AB-AP 100/84010000** Parallel adapter, 100 mm length
- **AB-AP 150/84015000** Parallel adapter, 150 mm length
- **AB 1000 MKL/84006500** Mounting clamp for ALUBOS 1000
- **AB-MKL/84006300** Mounting clamp for ALUBOS 1000

Extrusions

ABP 1000

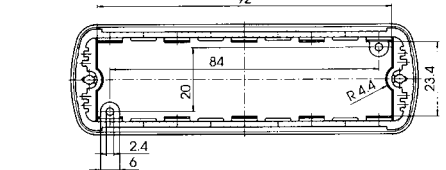


ABPH 1000

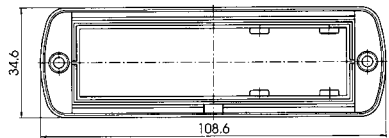
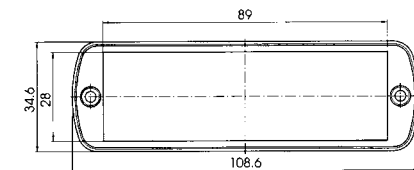
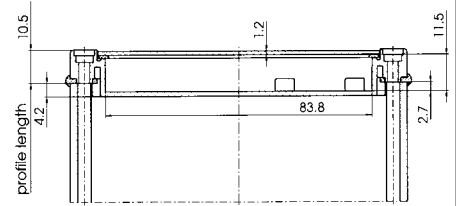
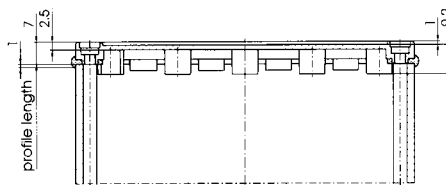
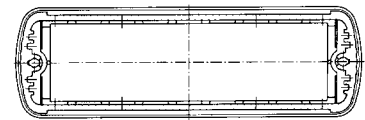


Lids

ABD 1000

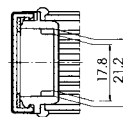


ABM 1000...

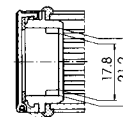


view without lid or caps

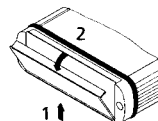
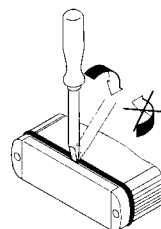
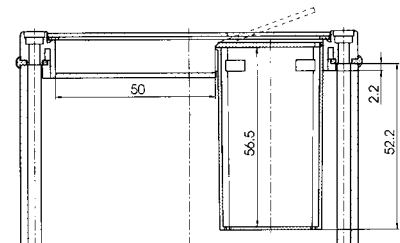
**ABM 1000 IR
ABM 1000 AL**



ABM 1000 SAL



ABM 1000 . . BE
(for further dimensions see ABM 1000 . .)



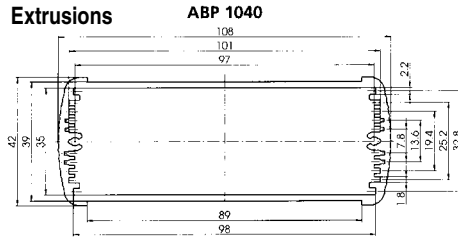
Standard Features

- **ABP 1040-1000/84040000** Closed aluminum extrusion, sold in meter lengths. Black powdercoat.
 - **ABPH 1040-1000/84046000** Split aluminum extrusion, sold in meter lengths. Black powdercoat.
 - **ABPU 1040-1000/84047000** Open aluminum extrusion, sold in meter lengths. Black powdercoat.
- For further information, contact Rose+Bopla

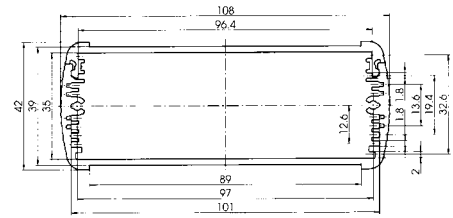
Accessories

- **ABPU 1040 FPS/84048000** Lid, slide in
- **ABM 1040 AL/84042000** Mounting lid, aluminum profile cap. Black powdercoat.
- **ABM 1040 SAL/84044000** Mounting lid, aluminum hinged cap. Black powdercoat.
- **ABD 1040/84041000** End lid. Black powdercoat.
- **DI 1040-RFI/84200415** RFI Gasket, black, 10 piece pack.
- **DI 1040-5002/84200414** Gasket, ultramarine, 10 piece pack..
- **DI 1040-3000/84200411** Gasket, flame red, 10 piece pack..
- **DI 1040-1021/84200412** Gasket, sulphur yellow, 10 piece pack..
- **DI 1040-6000/84200413** Gasket, patina green, 10 piece pack.
- **AB-WL2/84007000** Wall bracket

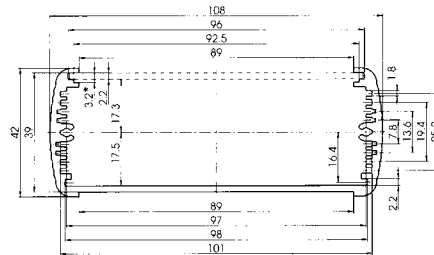
Extrusions



ABPH 1040

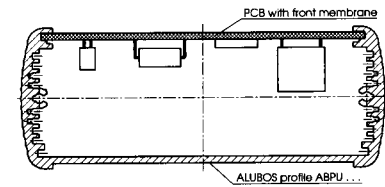


ABPU 1040



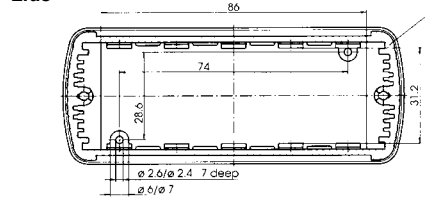
*Note: when using a three mm front panel, this contact area must be milled down to 2 mm.

Example of ABPU application

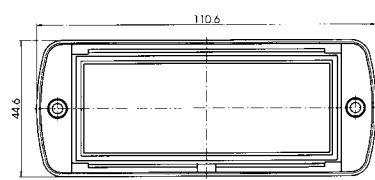
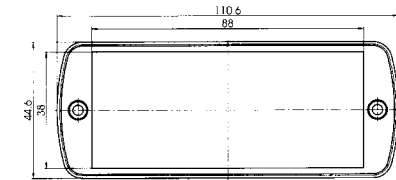
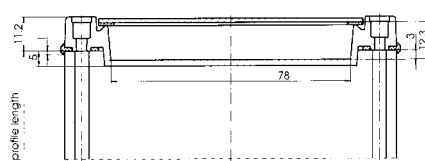
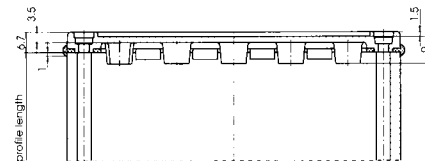
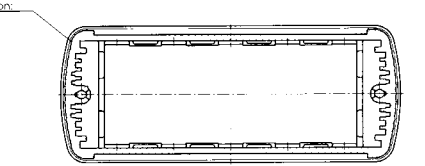


Lids

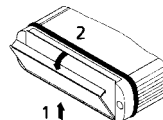
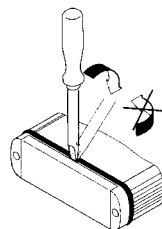
ABD 1040



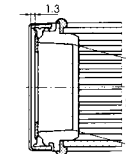
ABM 1040



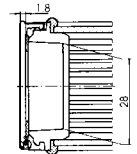
view without cap (AL) or lid (SAL)



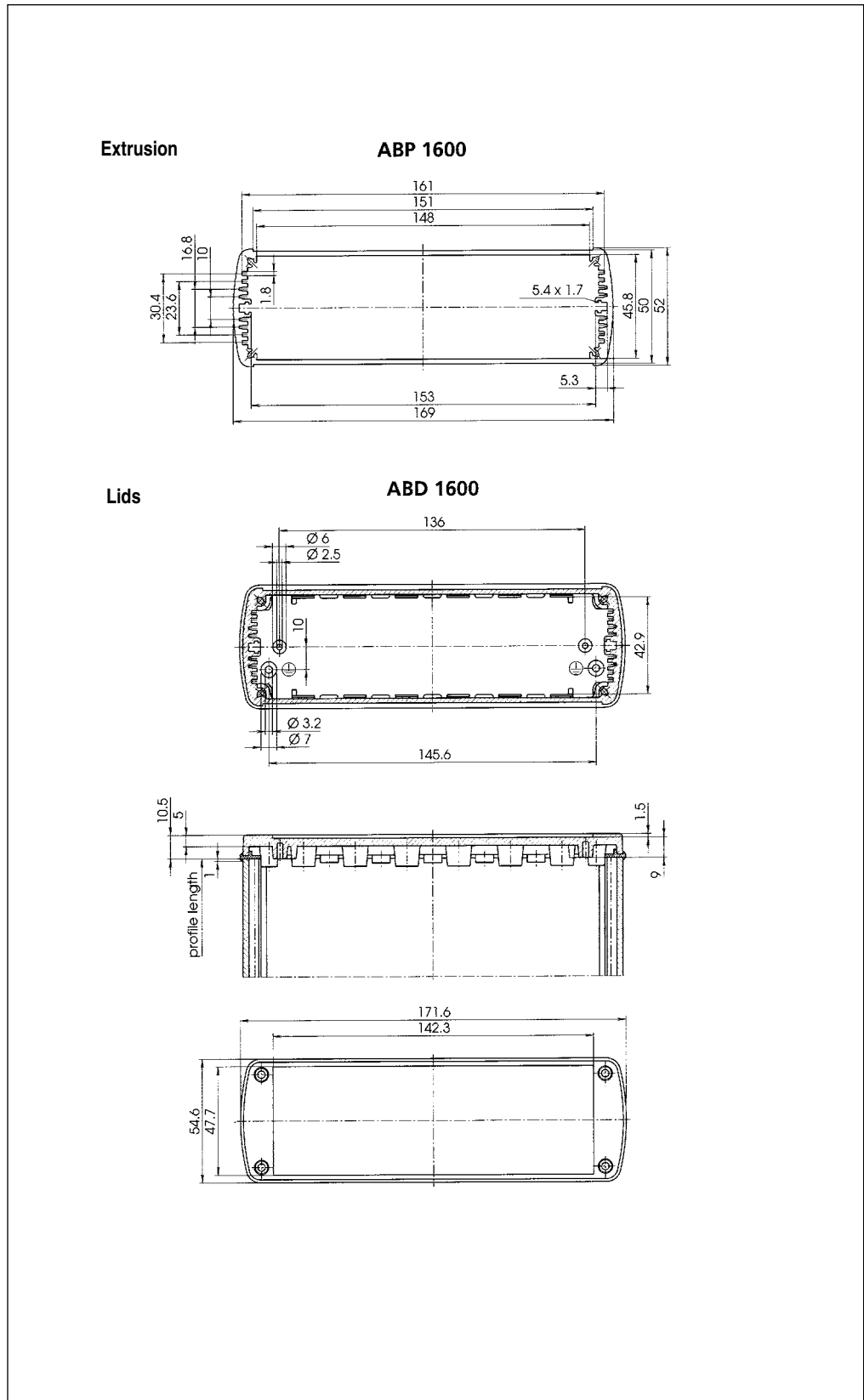
ABM 1040 AL



ABM 1040 SAL



Standard Features
<ul style="list-style-type: none"> • ABP 1600-1000/84160001 Closed aluminum extrusion, sold in meter lengths. Black powdercoat. <p>For further information, contact Rose+Bopla</p>
Accessories
<ul style="list-style-type: none"> • ABD 1600/84161000 End lid, black seals, screws, screw covers. Black powdercoat. • AB 1600 HS/84162000 Handle, designed for mounting on the APB 1600 extrusion. • DI 1600-RF/84201615 RFI Gasket, black, 10 piece pack. • DI 1600-5002/84201614 Gasket, ultramarine, 10 piece pack. • DI 1600-3000/84201616 Gasket, flame red, 10 piece pack. • DI 1600-1021/84201612 Gasket, sulphur yellow, 10 piece pack. • DI 1600-6000/84201613 Gasket, patina green, 10 piece pack. • AB 1600 WL/84165000 Wall bracket • AB-WL3/84008000 Wall bracket

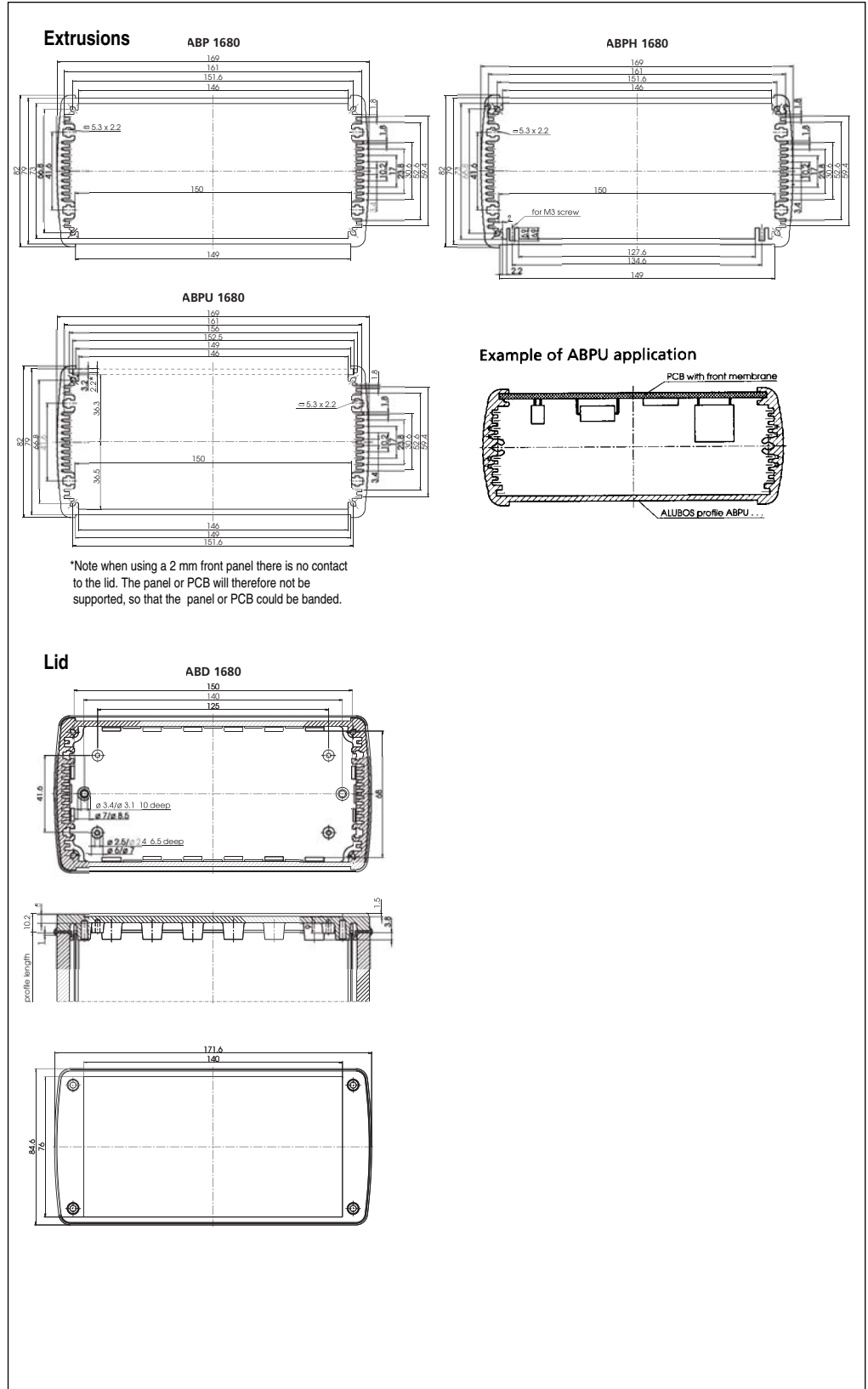


Alubos 1680

External Dimensions: L 1000 x W 169 x H 82 mm

Page 3-30

Accessories
<ul style="list-style-type: none"> • ABP 1680-1000/8468000 Closed aluminum extrusion, sold in meter lengths. Black powdercoat. • ABPH 1680-1000/84686000 Split aluminum extrusion, sold in meter lengths. Black powdercoat. • ABPU 1680-1000/84687000 Open aluminum extrusion, sold in meter lengths. Black powdercoat. <p>For further information, contact Rose+Bopla</p>
Accessories
<ul style="list-style-type: none"> • ABD 1680/84168100 End lid, black seals, screws, screw covers. Black powdercoat. • ABU 1680-1000 FP3/84689000 Slide in lid (sold by the meter). Anodized • DI 1680-RFI/84206815 RFI Gasket, black, 10 piece pack. • DI 1680-5002/84206814 Gasket, ultramarine, 10 piece pack. • DI 1680-3000/84206811 Gasket, flame red, 10 piece pack. • DI 1680-1021/84206812 Gasket, sulphur yellow, 10 piece pack. • DI 1680-6000/84206813 Gasket, patina green, 10 piece pack. • AB-WL3/84008000 Wall bracket • AB 1600 HS/84162000 Adjustable handle



Standard Features

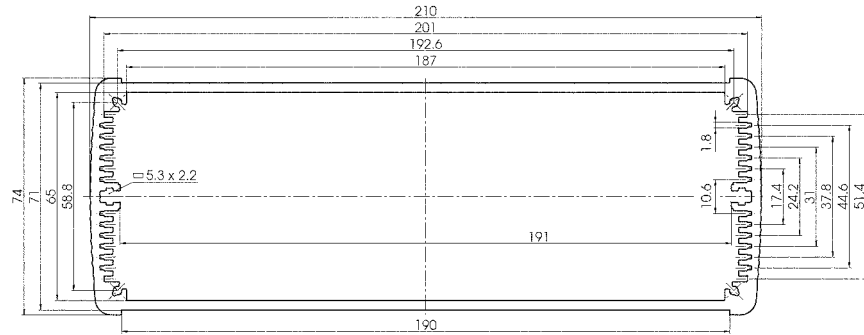
- **ABP 2070-1000/84207000** Closed aluminum extrusion, sold in meter lengths. Black powdercoat. For further information, contact Rose+Bopla

Accessories

- **ABD 2070/84271000** End lid, black seals, screws, screw covers. Black powdercoat.
- **DI 2070-RFI/84202715** RFI Gasket, black, 10 piece pack.
- **DI 2070-5002/84202714** Gasket, ultramarine, 10 piece pack.
- **DI 2070-3000/84202711** Gasket, flame red, 10 piece pack.
- **DI 2070-1021/84202712** Gasket, sulphur yellow, 10 piece pack.
- **DI 2070-6000/84202713** Gasket, patina green, 10 piece pack.
- **AB 2000 HS/84200000** Adjustable handle
- **AB-WL3/84008000** Wall bracket

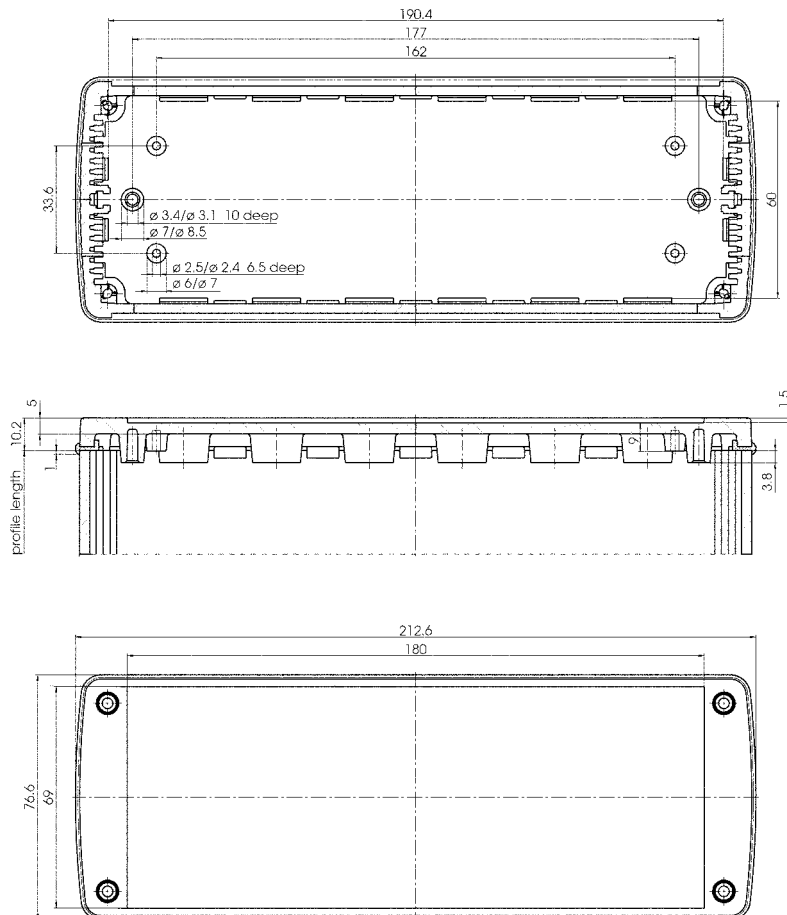
Extrusion

ABP 2070



Lid

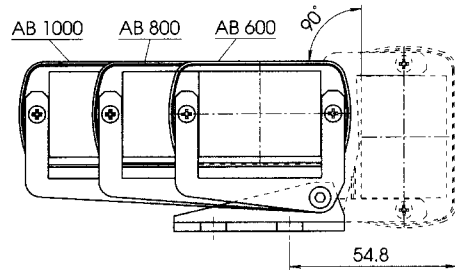
ABD 2070



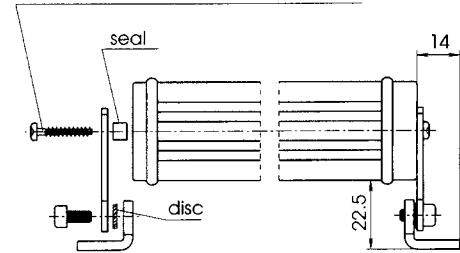
Accessories

- AB 600 WLV/84065000 Adjustable Wall Bracket
- AB 800 WLV/84085000 Adjustable Wall Bracket
- AB 1000 WLV/84105000 Adjustable Wall Bracket
- **Including:** 2 lid wall brackets, 2 base wall brackets, 2 metric screws, 2 serrated lock washers, 4 sealing rings, 4 screws, 18mm long for ABD lid, 4 screws, 22mm long for ABM lid

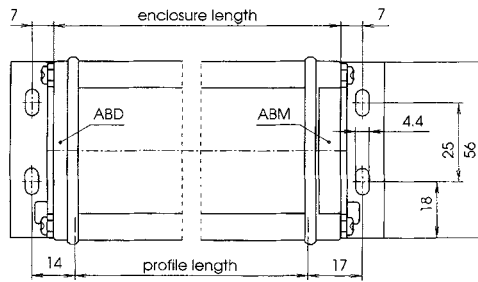
Adjustable Wall Bracket



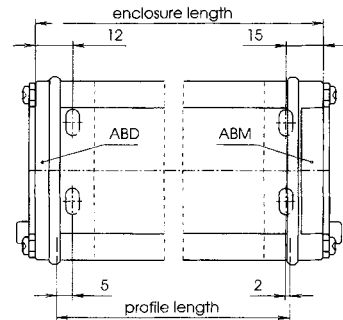
with ABD lid, length of screw 18 mm
with ABM lid, length of screw 22 mm



Dimensions for mounting Adjustable Wall Bracket



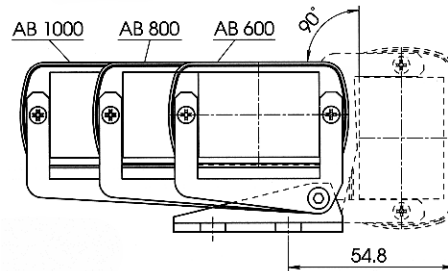
Externally Visible



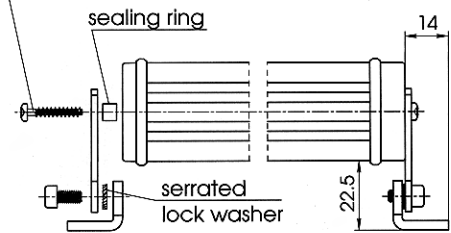
Internally Concealed

Accessories

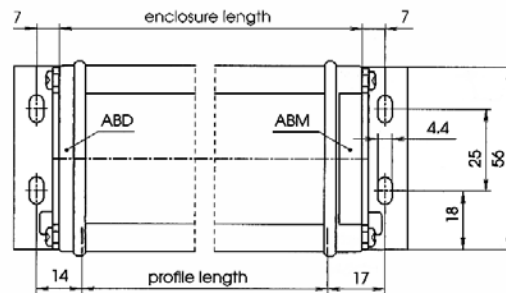
- AB-600 WLV/84065000 Wall bracket for ALUBOS 600
- AB-800 WLV/84085000 Wall bracket for ALUBOS 800
- AB-1000 WLV/84105000 Wall bracket for ALUBOS 1000



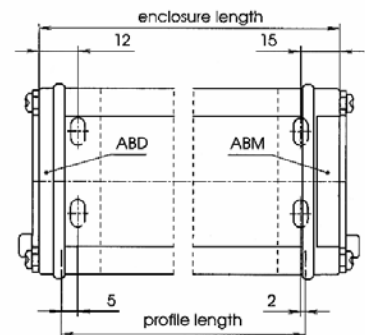
with ABD lid, length of screw 18 mm
with ABM lid, length of screw 22 mm



Dimensions for wall bracket fitting externally visible



internally concealed

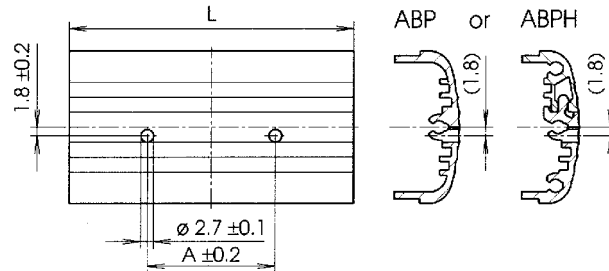


Accessories

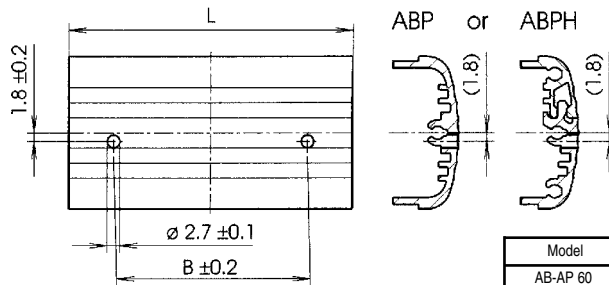
- **AB-AP 60/84006000** Parallel Adapter, 60mm length.
- **AB-AP 100/84010000** Parallel Adapter, 100mm length.
- **AB-AP 150/84015000** Parallel Adapter, 150mm length. Including: 1 adapter, 1 sheet metal hood cover and fixing screws.

Dimensions for Assembly of Extrusions and Parallel Adapter

Profile 2 (desk component) ABP or ABPH



Profile 1 (lying position) ABP or ABPH

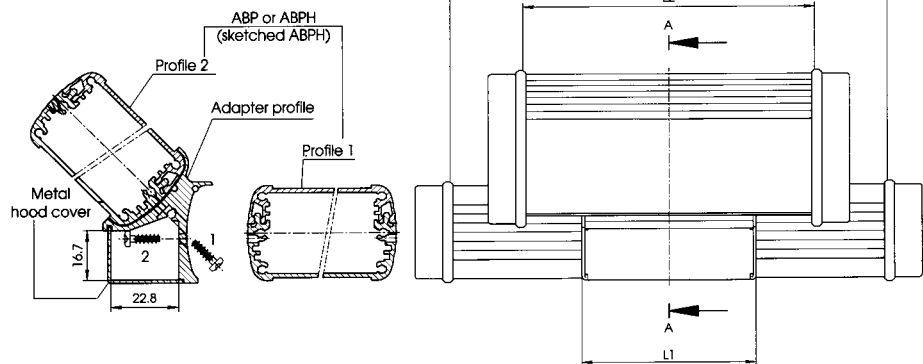


Model	A	B	L min.
AB-AP 60	27	41	60
AB-AP 100	67	81	100
AB-AP 150	117	131	150

Note: The enclosure length can be chosen as required, but should be at least length L

Dimensions for ALUBOS parallel adapter

A-A



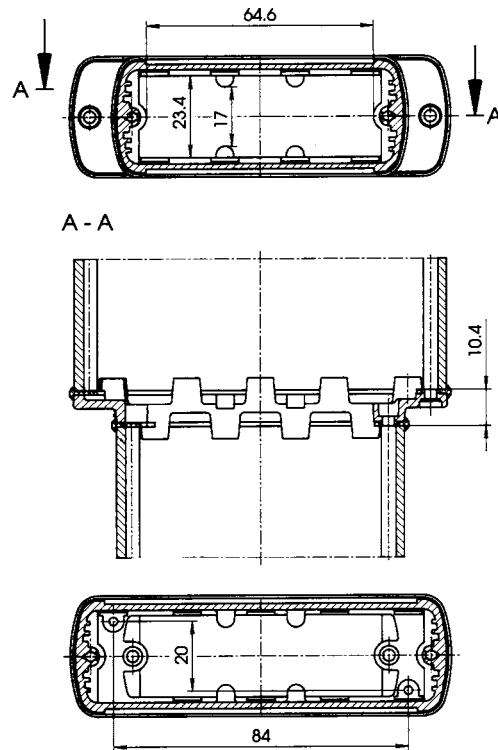
Model	L1	L2 min
AB-AP 60	60	60
AB-AP 100	100	100
AB-AP 150	150	150

Dimensional Drawings

Accessories

- ABA 800-1000/84002000 Axial Adapter adapts an ABP 800 to an ABP 1000.

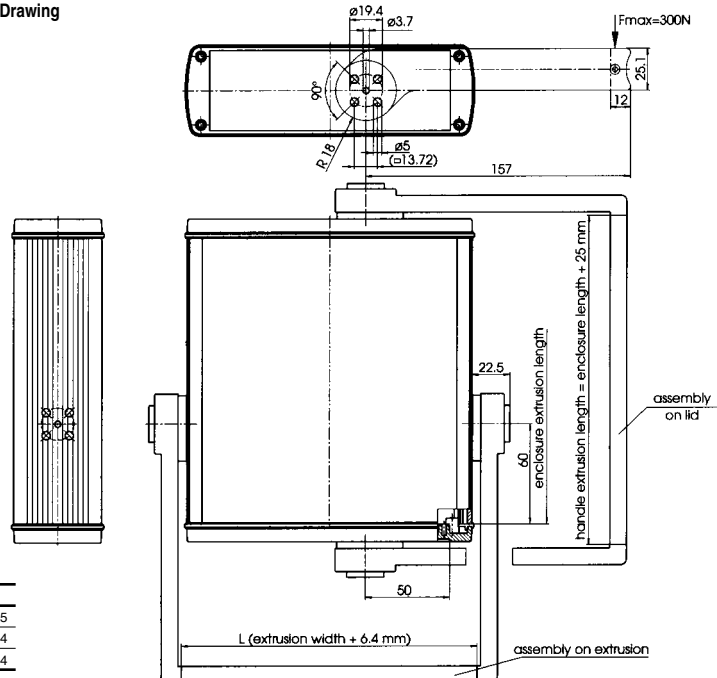
Dimensions for ALUBOS Axial Adapter



Accessories

- AB 1600 HS/84162000 Handle-for use with 1600 / 1680 extrusions.
- AB 2000 HS/84200000 Handle for use with 2070 extrusion.

Handle Assembly Drawing

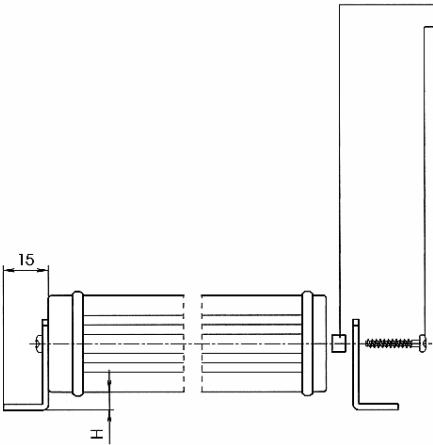


Profile	L
AB...1600	174.5
AB...1680	175.4
AB...2070	216.4

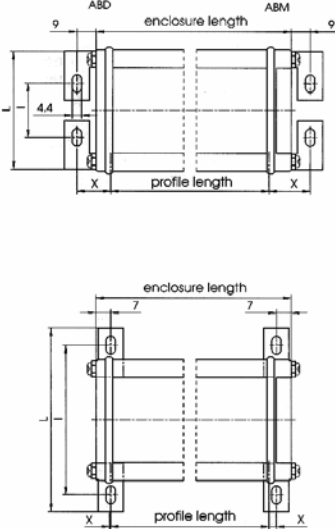
Alubos Accessories

Accessories

- **AB-WL/84005000** Wall bracket for use with ALUBOS 600/800/1000/1300.
- **AB-WL1/84006001** Wall bracket for use with ALUBOS 820
- **AB-WL2/84007000** Wall bracket for use with ALUBOS 1040
- **AB-WL 3/84008000** Wall bracket for use with ALUBOS 1600/1680/2070



Lid	Sealing ring length	Screw length
ABD 600	4.5	18
ABD 800	4.5	18
ABD 820	4.5	18
ABD 1000	4.5	18
ABD 1040	4.5	18
ABD 1300	7.5	22
ABD 1600	7.5	22
ABD 1680	7.5	22
ABD 2070	7.5	22
<hr/>		
ABM 600	4.5	22
ABM 800	4.5	22
ABM 1000	4.5	22
ABM 1040	7.5	22
ABM 1300	7.5	22



Lid	L	I	X	H
ABD 600	55	25	16	6.0
ABD 800	55	50	16	6.0
ABD 820	80	50	16	6.0
ABD 1000	80	74	16	6.0
ABD 1040	104	75	16	6.0
ABD 1300	135	105	19	5.0
ABD 1600	163	127	19	8.1
ABD 1680	162	122	19	6.0
ABD 2070	203	163	19	6.0
<hr/>				
ABM 600	55	25	19	6.0
ABM 800	80	50	19	6.0
ABM 1000	104	74	19	6.0
ABM 1040	105	75	20	6.0
ABM 1300	135	105	20	5.0

Lid	L	I	X	H
ABD 600	87	70	0	6.0
ABD 800	112	95	0	6.0
ABD 820	112	95	0	6.0
ABD 1000	136	119	0	6.0
ABD 1040	135	119	0	6.0
ABD 1300	166	149	3	5.0
ABD 1600	199	183	3	8.1
ABD 1680	198	182	3	6.0
ABD 2070	239	223	3	6.0
<hr/>				
ABM 600	87	70	3	6.0
ABM 800	112	95	3	6.0
ABM 1000	136	119	3	6.0
ABM 1040	135	119	4	6.0
ABM 1300	166	149	4	5.0

Dimensional Drawings