

MICRO SWITCH

FREEPORT, ILLINOIS, U.S.A.
A DIVISION OF HONEYWELL
FED. MFG. CODE 91929

SWITCH - ENCLOSED

CATALOG LISTING
BZE6-2RQ8722

BZE6-2RQ8722

M

DRAWING NUMBER

8

7

ISSUE

8

REPLACES

PR-9789

29AUG07

PSR

29AUG07

CHECK

RJ

10 NOV 05

CHECK

RJ

10 NOV 84

CHECK

RJ

14 SEP 92

CHECK

RJ

27 JAN 81

CHECK

RJ

27 JAN 81

CHECK

RJ

27 JAN 81

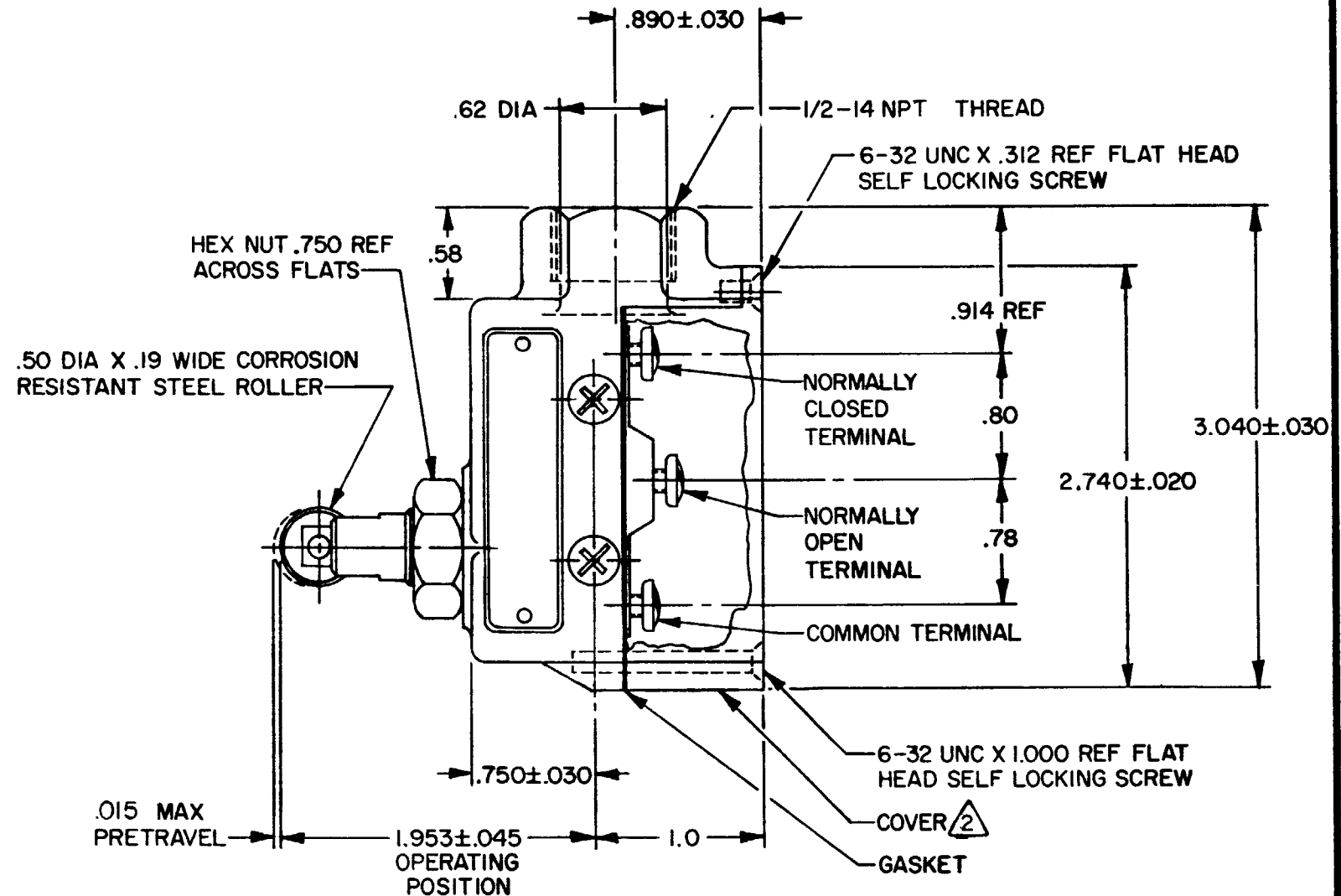
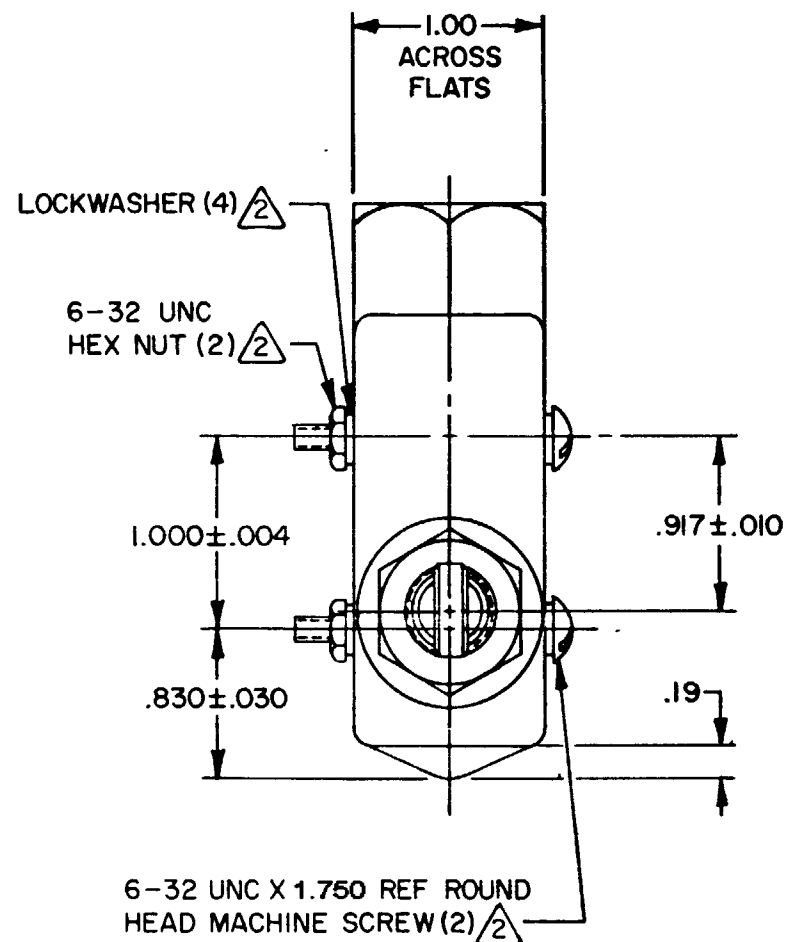
DRAWN

JM

27 JAN 81

REVISIONS

A	C053191F	13	TSK	APR 84
B	C055989	8	CJH	NOV 84
C	C054958	26	TSK	FEB 85
D	C072618	14	LJF	SEP 92
E	0016894	10	KRB	NOV 05
F	0033014		BS	29AUG07



NOTES -

- 1 - 6-32 UNC X .219 REF BINDING HEAD TERMINAL SCREW AND CUPWASHER (3)
- \triangle FURNISHED UNASSEMBLED
- 3 - SEAL RATING: NEMA 1 IP40

THIS DRAWING COVERS A PROPRIETARY ITEM AND IS THE PROPERTY OF MICRO SWITCH, A DIVISION OF HONEYWELL. THIS DRAWING IS NOT TO BE COPIED OR USED WITHOUT THE APPROVAL OF MICRO SWITCH.

CHARACTERISTICS	ELECTRICAL DATA	SCALE FULL
OPERATING FORCE ----- 9-13 OZ	CONTACT ARRANGEMENT S P D T	DO NOT SCALE PRINT
RELEASE FORCE ----- 4 OZ MIN		UNLESS OTHERWISE NOTED DIMENSIONS ARE IN INCHES
DIFFERENTIAL TRAVEL ----- .002 MAX	CODE L22	TOLERANCES ARE:
OVERTRAVEL ----- .140 MIN	1A-125 VAC	ONE PLACE (.0) \pm .030
BASIC SWITCH REPLACEMENT ----- BZ-2RQ7221	CE 1.5A, 240 Vac	TWO PLACE (.00) \pm .015
		THREE PLACE (.000) \pm .005
		ANGLES
		WEIGHT .56 LB.

RASTER
FO-52851-A

DRAWN
JM

27 JAN 81