

MICRO SWITCH
 FREEPORT, ILLINOIS, U.S.A.
 A DIVISION OF HONEYWELL
 FED. MFG. CODE 91020

SWITCH - ENCLOSED

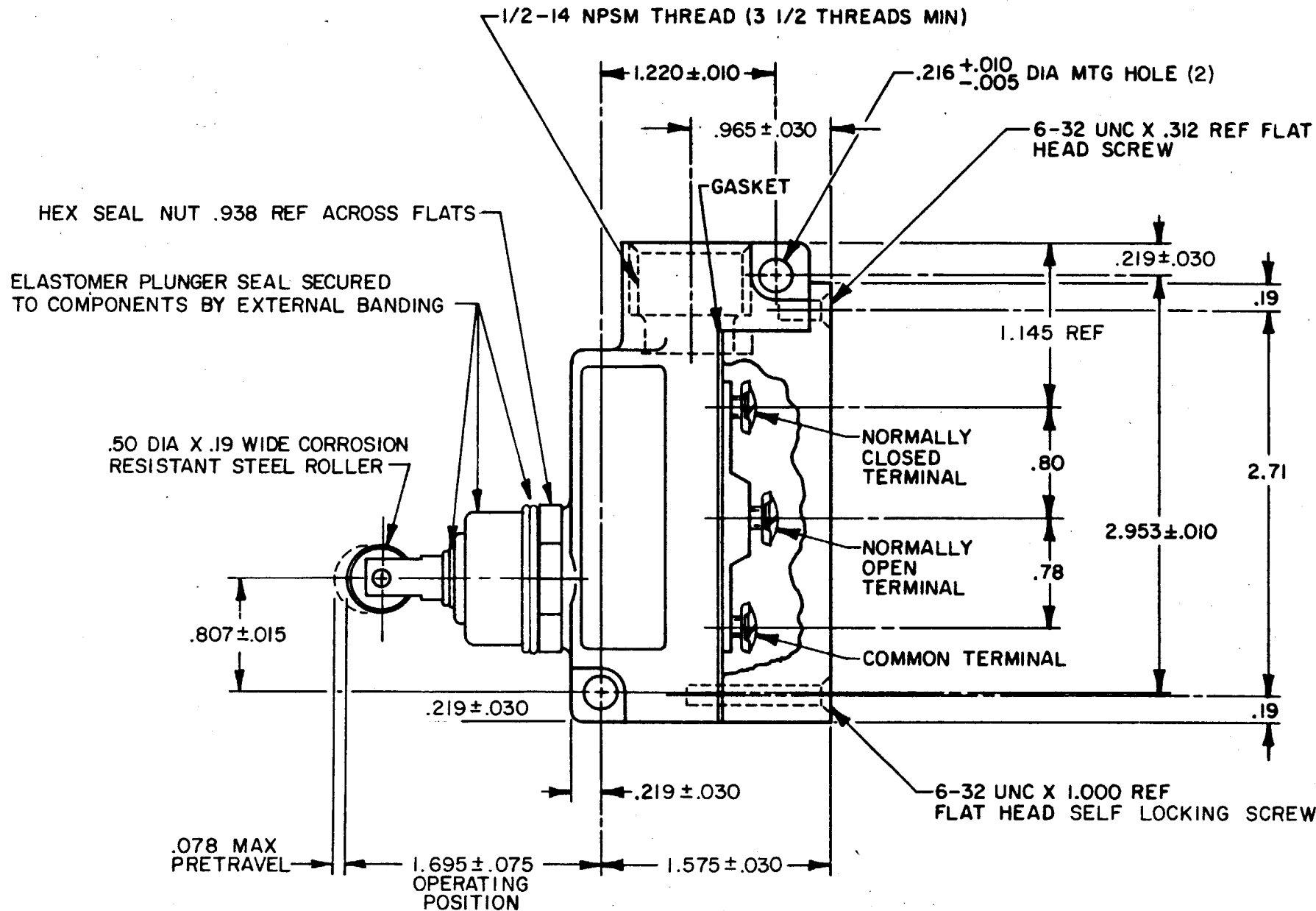
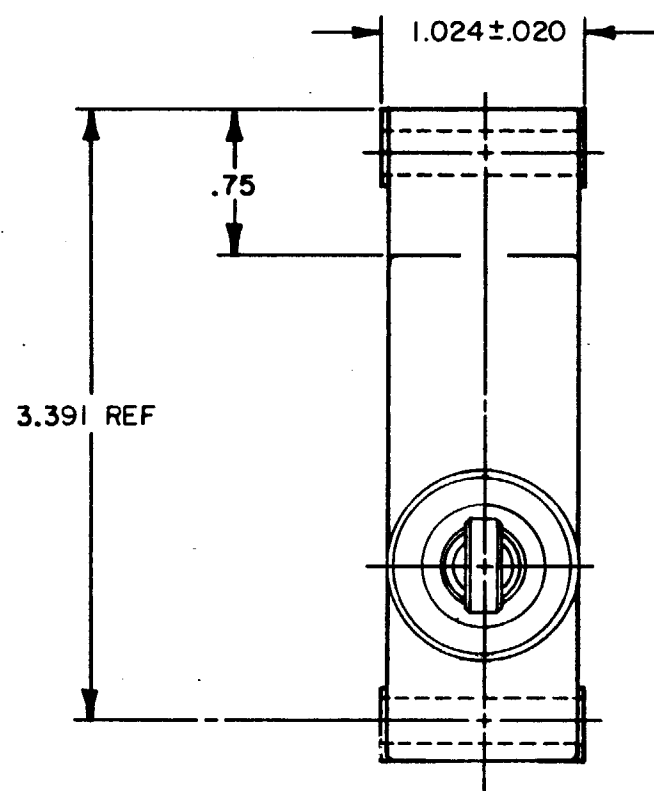
CATALOG LISTING
BZGI-2RN80

M BZGI-2RN80

DRAWING NUMBER
 ISSUE 4

REVISIONS
 A CO67624 SLB 18 JUN 90
 B CO72977 G J W 8 AUG 92
 C CO-77179-C MAM 12 MAR 94

RELEASE NO. PR-16464
 CHECK
 D J S 2 JUN 83
 TLB 1 JUN 88
 DRAWN



NOTES

1 - 6-32 UNC X .219 REF BINDING HEAD TERMINAL SCREW & CUPWASHER (3)

THIS DRAWING COVERS A PROPRIETARY ITEM AND IS THE PROPERTY OF MICRO SWITCH, A DIVISION OF HONEYWELL. THIS DRAWING IS NOT TO BE COPIED OR USED WITHOUT THE APPROVAL OF MICRO SWITCH.

| CHARACTERISTICS | |
|--------------------------|-----------|
| OPERATING FORCE | 9-24 OZ |
| RELEASE FORCE | 4 OZ MIN |
| DIFFERENTIAL TRAVEL | .002 MAX |
| OVERTRAVEL | .219 MIN |
| BASIC SWITCH REPLACEMENT | BZ-2RN784 |

| ELECTRICAL DATA | |
|---|--|
| CONTACT ARRANGEMENT S P D T | |
| 15A-125, 250 OR 480 VAC, 2A-600 VAC 1/8 HP-125 VAC; 1/4 HP-250 VAC 1/2A-125 VDC; 1/4A-250 VDC CODE L74 | |

| | | | |
|---|--------|--------------|--------|
| SCALE FULL | | | |
| DO NOT SCALE PRINT | | | |
| TOLERANCES | | | |
| APPLY TO DESIGN UNITS. CONVERSIONS ARE ONLY FOR REFERENCE. UNLESS NOTED, TOLERANCES ARE 2 | | | |
| DES. PLACES | TOL. | DES. PLACES | TOL. |
| NO PLACES | ± .04 | ONE PLACE | ± .01 |
| ONE PLACE | ± .01 | TWO PLACES | ± .005 |
| TWO PLACES | ± .005 | THREE PLACES | ± .002 |
| THREE PLACES | ± .002 | ANGLES | ± .01 |
| DESIGN UNITS | | US CUSTOMARY | |
| IN METRIC | | US CUSTOMARY | |
| THIRD ANGLE PROJECTION | | | |
| WEIGHT .56 LB APPROX | | | |