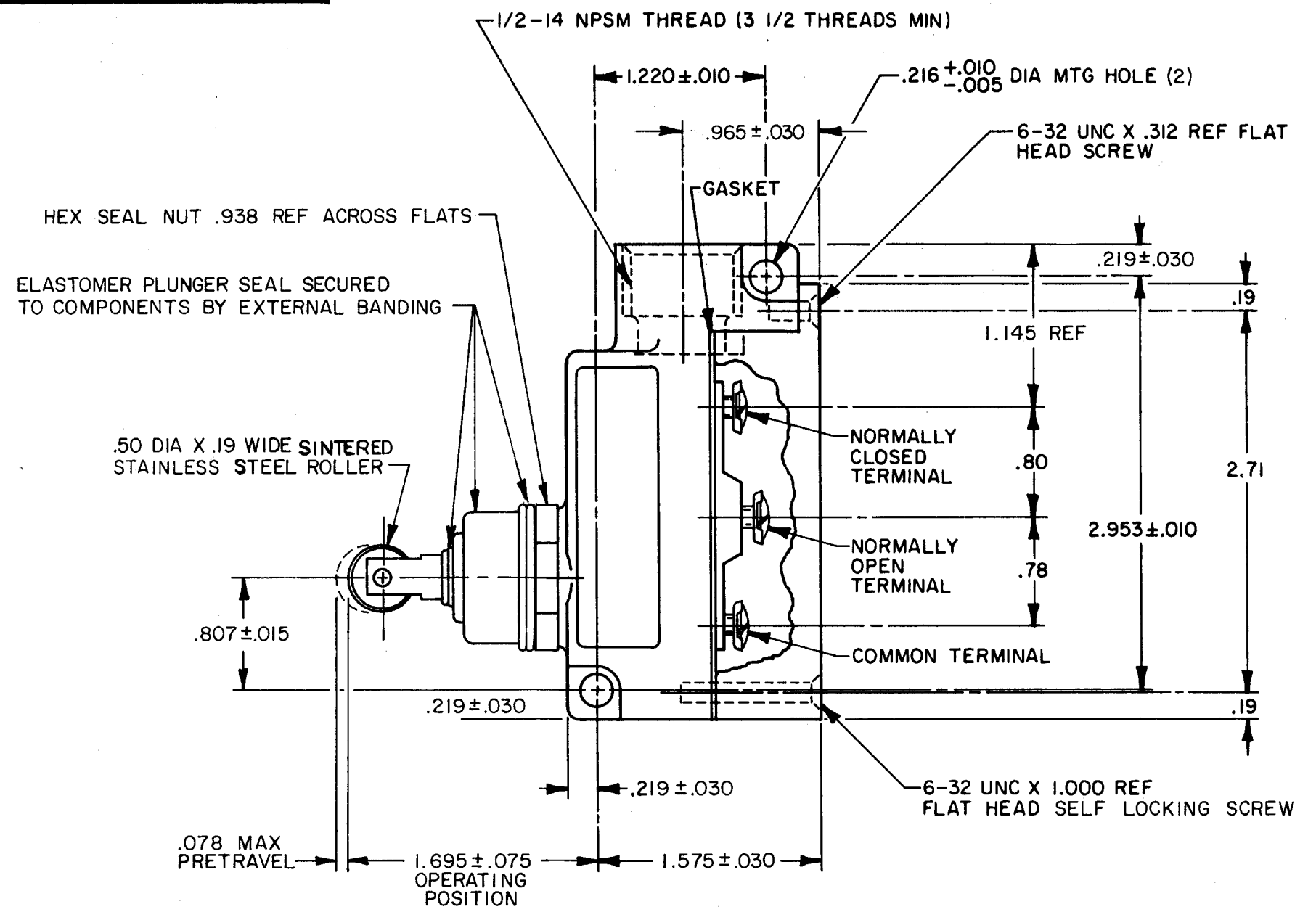
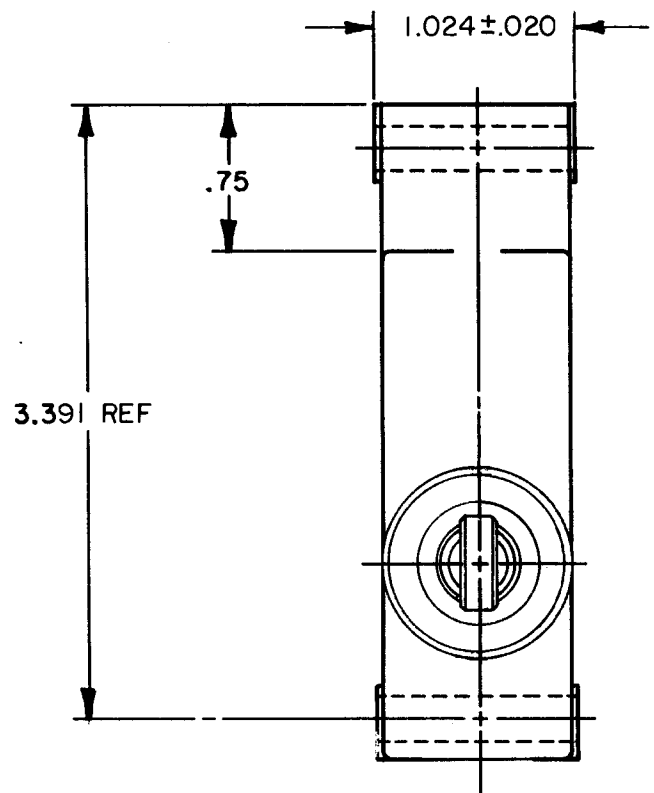


**MICRO SWITCH**  
 FREEPORT, ILLINOIS, U.S.A.  
 A DIVISION OF HONEYWELL  
 FED. MFG. CODE 91929

**SWITCH - ENCLOSED**

CATALOG LISTING  
**BZGI-2RN8034**

BZGI-2RN8034  
 DRAWING NUMBER  
 ISSUE 5  
 REVISIONS  
 A CO67624  
 18 JUN 90  
 B CO72977  
 8 AUG 92  
 C CO-77179-C  
 12 MAR 94  
 D CO-77426C  
 20 JUL 94  
 MAM 21 JUN 86  
 CEC 26 JUNE 86  
 CHECK  
 PO-22811-B  
 DRAWN  
 RELEASE NO. PR-14858  
 REPLACES



**NOTES**

1 - 6-32 UNC X .219 REF BINDING HEAD TERMINAL SCREW & CUPWASHER (3)

THIS DRAWING COVERS A PROPRIETARY ITEM AND IS THE PROPERTY OF MICRO SWITCH, A DIVISION OF HONEYWELL. THIS DRAWING IS NOT TO BE COPIED OR USED WITHOUT THE APPROVAL OF MICRO SWITCH.		SCALE FULL																													
DO NOT SCALE PRINT		TOLERANCES																													
APPLY TO DESIGN UNITS. CONVERSIONS ARE ONLY FOR REFERENCE. UNLESS NOTED, TOLERANCES ARE ±		<table border="1"> <tr> <th>DIM.</th> <th>TOL.</th> <th>DIM.</th> <th>TOL.</th> </tr> <tr> <td>mm</td> <td>mm/in</td> <td>in</td> <td>mm/in</td> </tr> <tr> <td>NO PLACES</td> <td>X</td> <td>1/04</td> <td>X X</td> </tr> <tr> <td>ONE PLACE</td> <td>X X</td> <td>0.4/018</td> <td>X X X</td> </tr> <tr> <td>TWO PLACES</td> <td>X X X</td> <td>0.10/008</td> <td>X X X X</td> </tr> <tr> <td>THREE PLACES</td> <td>X X X X</td> <td>0.30/018</td> <td>X X X X X</td> </tr> <tr> <td>ANGLES</td> <td></td> <td>0.10/008</td> <td></td> </tr> </table>		DIM.	TOL.	DIM.	TOL.	mm	mm/in	in	mm/in	NO PLACES	X	1/04	X X	ONE PLACE	X X	0.4/018	X X X	TWO PLACES	X X X	0.10/008	X X X X	THREE PLACES	X X X X	0.30/018	X X X X X	ANGLES		0.10/008	
DIM.	TOL.	DIM.	TOL.																												
mm	mm/in	in	mm/in																												
NO PLACES	X	1/04	X X																												
ONE PLACE	X X	0.4/018	X X X																												
TWO PLACES	X X X	0.10/008	X X X X																												
THREE PLACES	X X X X	0.30/018	X X X X X																												
ANGLES		0.10/008																													
<table border="1"> <tr> <th>CHARACTERISTICS</th> <th>ELECTRICAL DATA</th> </tr> <tr> <td>OPERATING FORCE ——— 15 - 39 OZ</td> <td>CONTACT ARRANGEMENT S P D T</td> </tr> <tr> <td>RELEASE FORCE ——— 10 OZ MIN</td> <td>15A-125, 250 OR 480 VAC, 2A-600 VAC</td> </tr> <tr> <td>DIFFERENTIAL TRAVEL ——— .002 MAX</td> <td>1/8 HP-125 VAC; 1/4 HP-250 VAC</td> </tr> <tr> <td>OVERTRAVEL ——— .219 MIN</td> <td>1/2A-125 VDC; 1/4A-250 VDC</td> </tr> <tr> <td></td> <td>CODE L74</td> </tr> </table>		CHARACTERISTICS	ELECTRICAL DATA	OPERATING FORCE ——— 15 - 39 OZ	CONTACT ARRANGEMENT S P D T	RELEASE FORCE ——— 10 OZ MIN	15A-125, 250 OR 480 VAC, 2A-600 VAC	DIFFERENTIAL TRAVEL ——— .002 MAX	1/8 HP-125 VAC; 1/4 HP-250 VAC	OVERTRAVEL ——— .219 MIN	1/2A-125 VDC; 1/4A-250 VDC		CODE L74	<table border="1"> <tr> <td>DESIGN UNITS</td> <td>SI METRIC <input type="checkbox"/></td> <td>US CUSTOMARY <input checked="" type="checkbox"/></td> </tr> <tr> <td>THIRD ANGLE PROJECTION</td> <td colspan="2"> </td> </tr> <tr> <td>WEIGHT</td> <td colspan="2">.56 LB APPROX</td> </tr> </table>		DESIGN UNITS	SI METRIC <input type="checkbox"/>	US CUSTOMARY <input checked="" type="checkbox"/>	THIRD ANGLE PROJECTION			WEIGHT	.56 LB APPROX								
CHARACTERISTICS	ELECTRICAL DATA																														
OPERATING FORCE ——— 15 - 39 OZ	CONTACT ARRANGEMENT S P D T																														
RELEASE FORCE ——— 10 OZ MIN	15A-125, 250 OR 480 VAC, 2A-600 VAC																														
DIFFERENTIAL TRAVEL ——— .002 MAX	1/8 HP-125 VAC; 1/4 HP-250 VAC																														
OVERTRAVEL ——— .219 MIN	1/2A-125 VDC; 1/4A-250 VDC																														
	CODE L74																														
DESIGN UNITS	SI METRIC <input type="checkbox"/>	US CUSTOMARY <input checked="" type="checkbox"/>																													
THIRD ANGLE PROJECTION																															
WEIGHT	.56 LB APPROX																														