

MICRO SWITCH

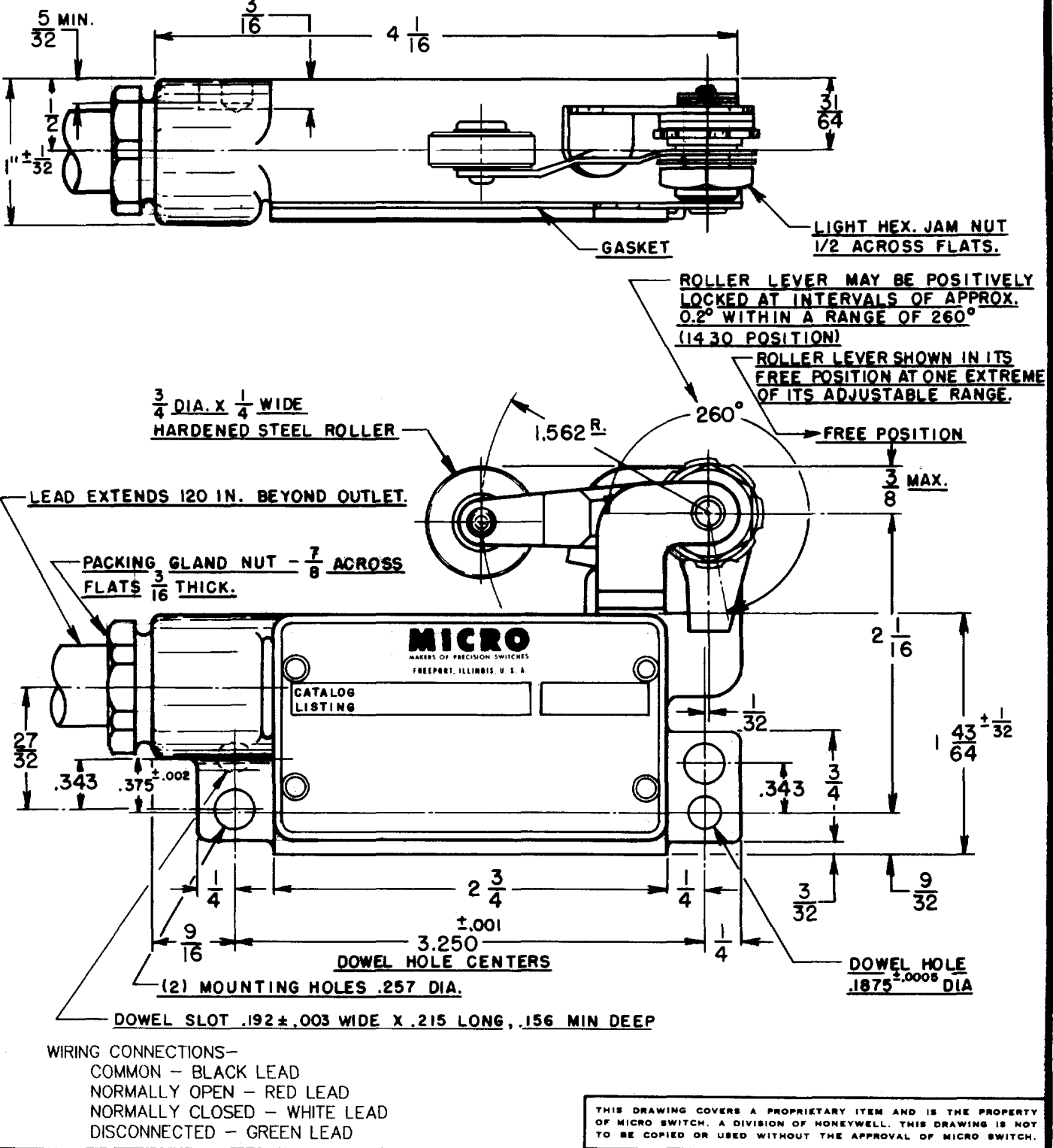
A DIVISION OF MINNEAPOLIS-HONEYWELL REGULATOR COMPANY
 FREEPORT, ILLINOIS
 FED. MFR. CODE 91929

SWITCH-ENCLOSED

CATALOG LISTING
BZLN - 210-RH

(RIGHT HAND)

BZLN-210-RH
 (RIGHT HAND)
M
 DRAWING NUMBER
 ISSUE 10
 CHECK CNT 25 SEPT 54
 RELEASE NO. SR 3928
 REPLACES
 REVISIONS
 A CORRECT ION 23 OCT 64
 B CO19003 LLD 25 MAY 64
 C CO 11950 DAW 27 OCT 64
 D CO21551 JEG 9 JUNE 66
 E CO50714 GJW 29 APR 82
 F CO55988 MAM 31 OCT 84
 G CO66766 MAM 5 APR 90
 H CO 75967 JDB 3 NOV 88
 J CO81513B JAK 13 MAR 97
 FORMTEK DRAWN
 R. G. C. 17, SEPT. 54 CHECK
 R. G. C. 17, SEPT. 54 CHECK



THIS DRAWING COVERS A PROPRIETARY ITEM AND IS THE PROPERTY OF MICRO SWITCH, A DIVISION OF HONEYWELL. THIS DRAWING IS NOT TO BE COPIED OR USED WITHOUT THE APPROVAL OF MICRO SWITCH.

CHARACTERISTICS	ELECTRICAL DATA	SCALE FULL
OPERATING FORCE-----3 LB MAX.	CONTACT ARRANGEMENT S. P. D. T.	DO NOT SCALE PRINT
DIFFERENTIAL FORCE-----1/4 LB. MIN.		UNLESS OTHERWISE SPECIFIED:
RELEASE FORCE-----1/4 LB. MIN.		DIMENSIONS ARE IN INCHES
PRETRAVEL-----(.078 MAX.) 3°	L257	TOLERANCES ARE
DIFFERENTIAL TRAVEL - (.014 MAX.) 1/2°	10A 125, 250 OR 480 VAC	FRACTIONS \pm 1/64
OVERTRAVEL-----(.469 MIN.) 17°	1/8 HP 125 VAC, 1/4 HP 250 VAC	DECIMALS \pm .005
	1/2A 125 VDC, 1/4A 250 VDC	ANGLES \pm
		WEIGHT