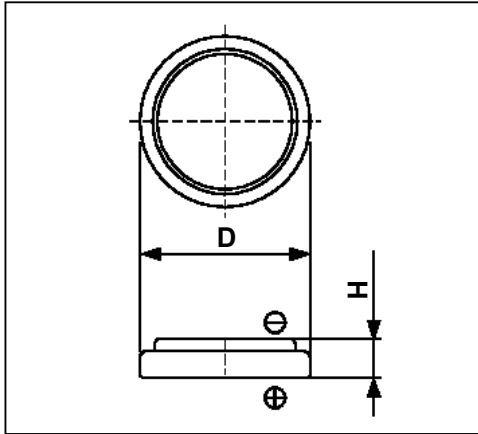


Cell Type CR2450 Specifications

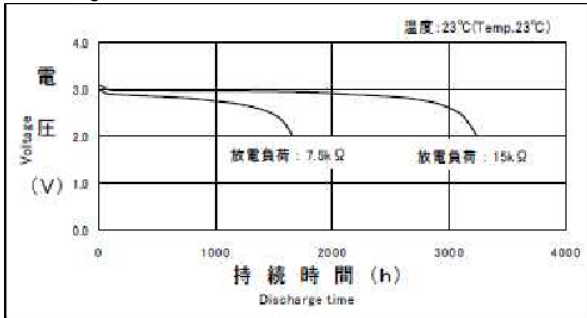


Nominal Voltage (V)	3	
Nominal Capacity (mAh) ^{*1}	600	
Standard Discharge Current (mA)	0.3	
Operating Temperature Range (°C)	-20 ~ +70	
Max. Dimensions (mm)	Diameter (D)	24.5
	Height (H)	5.0
Weight (g)	6.6	

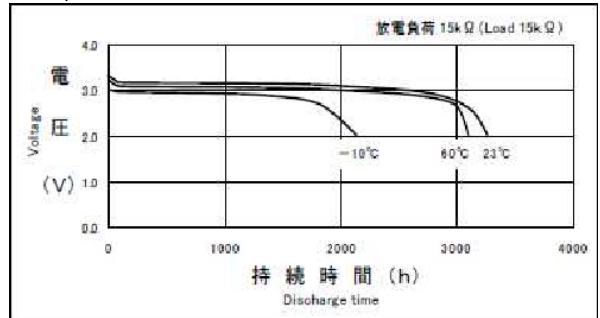
*1 Nominal capacity is determined at an end voltage of 2.0V when the battery is allowed to discharge at a standard current level at +23°C.

Typical Characteristics

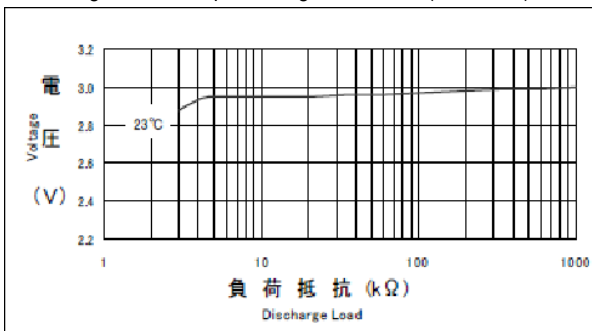
Discharge Characteristics of CR2450



Temperature Characteristics of CR2450



Discharge Load vs. Open Voltage of CR2450 (DOD 40%)



Discharge Load vs. Discharge Capacity of CR2450

