

3412 NHH

## DC axial compact fan



### ebm-papst St. Georgen GmbH & Co. KG

Hermann-Papst-Straße 1

D-78112 St. Georgen

Phone +49 7724 81-0

Fax +49 7724 81-1309

info2@de.ebmpapst.com

www.ebmpapst.com

### Nominal data

| Type                     | 3412 NHH          |           |
|--------------------------|-------------------|-----------|
| Nominal voltage          | VDC               | 12        |
| Nominal voltage range    | VDC               | 8 .. 13.2 |
| Speed                    | min <sup>-1</sup> | 3250      |
| Power input              | W                 | 2.9       |
| Min. ambient temperature | °C                | -20       |
| Max. ambient temperature | °C                | 60        |
| Air flow                 | m <sup>3</sup> /h | 102       |
| Sound power level        | B                 | 5.1       |
| Sound pressure level     | dB(A)             | 39        |

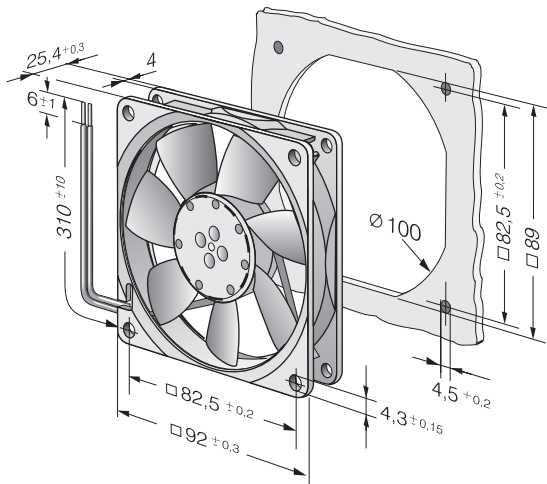
ml = max. load · me = max. efficiency · rfa = running at free air · cs = customer specs · cu = customer unit  
Subject to alterations



## Technical features

|  |  |
|--|--|
| <b>Dimensions</b>                          | 92 x 92 x 25 mm  |
| <b>General description</b>                 | <p>Particular design features:</p> <p>Ball bearings and sleeve bearings available.</p> <p>Some models suitable for use at high ambient temperatures up to 85 °C.</p> <p>General features:</p> <p>Material: fibreglass-reinforced plastic. Impeller PA, housing PBT.</p> <p>Electronic commutation completely integrated.</p> <p>Protected against reverse polarity and locking.</p> <p>Connection via single strands AWG 24, TR 64, bared and tin-plated.</p> <p>Air exhaust over bars. Direction of rotation counter-clockwise seen on rotor.</p> <p>Mass: 100 g.</p> |
| <b>Connection line</b>                     | Single strands AWG 24, TR 64, bared and tin-plated.  |
| <b>Direction of rotation</b>               | Left, looking at rotor   |
| <b>Direction of air flow</b>               | Air exhaust over bars  |
| <b>Bearing</b>                             | Ball bearings  |
| <b>Lifetime L10 at 40 °C</b>               | 70000 h  |
| <b>Lifetime L10 at maximum temperature</b> | 45000 h  |
| <b>Mass</b>                                | 0.100 kg   |
| <b>Housing material</b>                    | Fiberglass-reinforced PBT plastic  |
| <b>Material of impeller</b>                | Fiberglass-reinforced PA plastic   |
| <b>Motor protection</b>                    | Protected against reverse polarity and locking.  |
| <b>Approval</b>                            | VDE, CSA, UL   |

## Product drawing



## Charts: Air flow

