

4

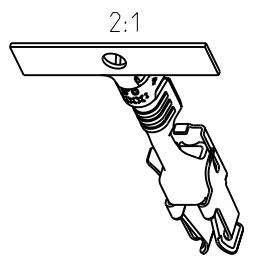
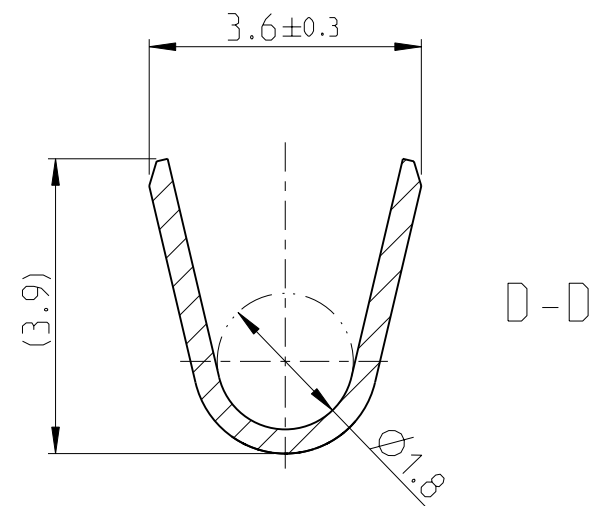
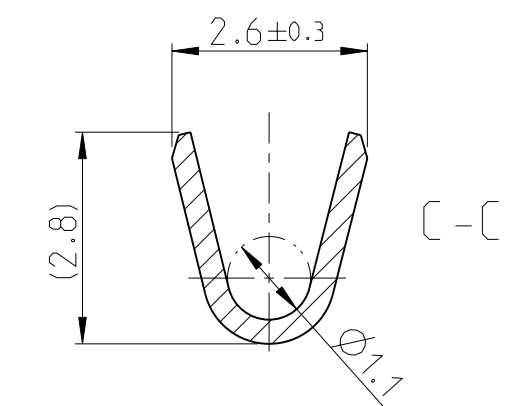
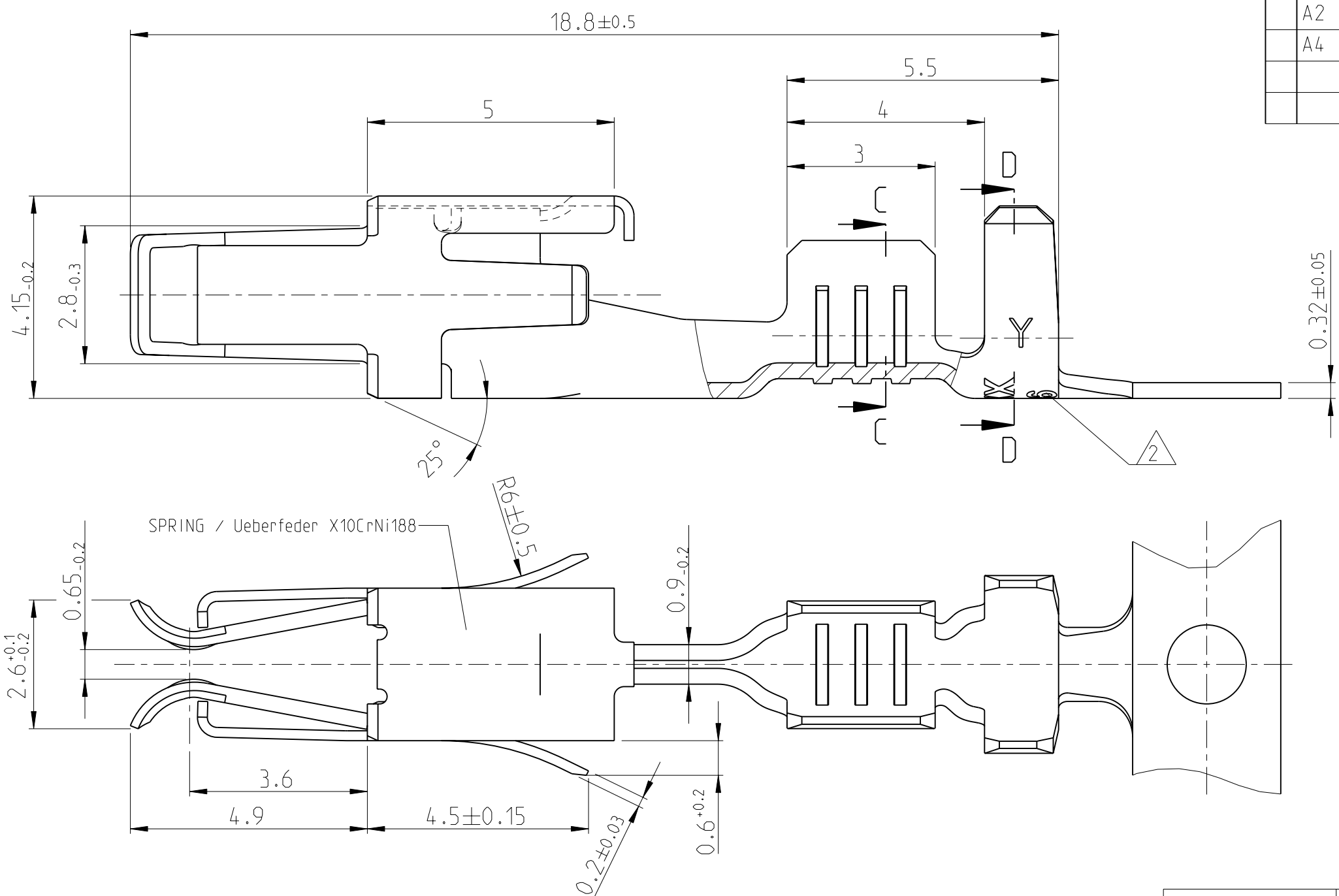
3

2

1

THIS DRAWING IS UNPUBLISHED. RELEASED FOR PUBLICATION 2009
 © COPYRIGHT 2009 BY TYCO ELECTRONICS CORPORATION. ALL INTERNATIONAL RIGHTS RESERVED.

LOC	DIST	REVISIONS			
P	LTR	DESCRIPTION	DATE	DWN	APVD
A1	-				
	A2	Toleranz Gap-Size erweitert	10OCT1995	Blei	
	A4	NEW CAD DRAWING / ECR-10-000493	11JAN2010	Abr	Schus



- NOTES
- 1 CONTACTS TO BE TREADED WITH BARRIERTA DISPERSION
Kontakt mit Gleitmittel BARRIERTA DISPERSION behandelt
 - 2 BACKSIDE MARKED WITH GAP SIZE 0.6
Rueckseite mit Oeffnungsmass 0.6 gekennzeichnet
 - 3 WIRE RANGE / Drahtgroessenbereich 0.5-1 mm²
INSUL. RANGE / Isolation. Ø1.4-2.3 mm

LOOSE PIECE	FINISH	MATERIAL	PART NO.	REV.
965902-1	PRETIN/vorverzinnt 1	CuSn	965901-2	A
965902-1	PRETIN/vorverzinnt	CuSn	965901-1	A

THIS DRAWING IS A CONTROLLED DOCUMENT FOR TYCO ELECTRONICS CORPORATION IT IS SUBJECT TO CHANGE AND THE CONTROLLING ENGINEERING ORGANIZATION SHOULD BE CONTACTED FOR THE LATEST REVISION.		DWN Trajkov 09SEP1992	Tyco Electronics AMP GmbH 64625 Bensheim (Germany)															
DIMENSIONS: mm		CHK Egenolf 14OCT1992																
TOLERANCES UNLESS OTHERWISE SPECIFIED:		APVD Bleicher, M. 08JAN2010	NAME JUNIOR POWER TIMER CONTACT															
<table border="1"> <tr><td>0 PLC</td><td>±</td><td rowspan="4">±0.2</td></tr> <tr><td>1 PLC</td><td>±</td></tr> <tr><td>2 PLC</td><td>±</td></tr> <tr><td>3 PLC</td><td>±</td></tr> <tr><td>4 PLC</td><td>±</td><td rowspan="2">±1°</td></tr> <tr><td>ANGLES</td><td>±</td></tr> </table>		0 PLC	±	±0.2	1 PLC	±	2 PLC	±	3 PLC	±	4 PLC	±	±1°	ANGLES	±	PRODUCT SPEC 108-18013	RESTRICTED TO	
0 PLC	±	±0.2																
1 PLC	±																	
2 PLC	±																	
3 PLC	±																	
4 PLC	±	±1°																
ANGLES	±																	
MATERIAL -		APPLICATION SPEC 114-18050	SIZE A3	CAGE CODE 00779														
FINISH -		WEIGHT 0.4 g	DRAWING NO C=965901															
		CUSTOMER DRAWING	SCALE 10:1	SHEET 1 OF 1														
			REV A4															