

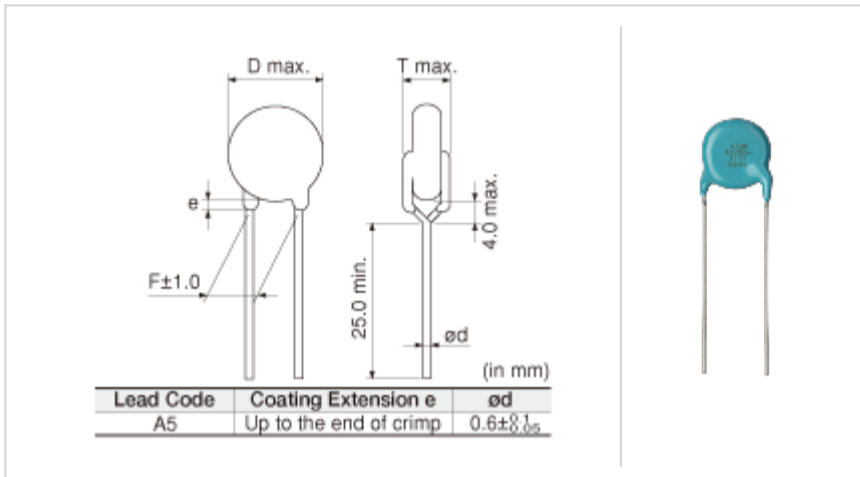
# DE1E3KX472MA5BA01

" # " indicates a package specification code.

Available  Complies with RoHS

< List of part numbers with package codes >  
DE1E3KX472MA5BA01

## Shape



L size or outer diameter D (mm)	15.0 mm max.
T size	8.0 mm max.
Lead spacing F	10.0 $\pm$ 1.0mm
Lead diameter d	0.6 +0.1/-0.05mm
Paint dripping e	Up to the end of crimp

## Specifications

Capacitance	4700pF $\pm$ 20%
Rated voltage	250Vac(r.m.s.)
Temperature characteristics (complied standard)	E(JIS)
Capacitance change rate	+20/-55%
Temperature range of temperature characteristics	-25 to 85
Operating temperature range	-25 to 125

## Notes

X1/Y1 Class Certified Products

## References

Packaging	Specifications	Minimum quantity
B	Packing in bulk	100

### Attention

- 1.This datasheet is downloaded from the website of Murata Manufacturing Co., Ltd. Therefore, it ' s specifications are subject to change or our products in it may be discontinued without advance notice. Please check with our sales representatives or product engineers before ordering.
- 2.This datasheet has only typical specifications because there is no space for detailed specifications. Therefore, please review our product specifications or consult the approval sheet for product specifications before ordering.