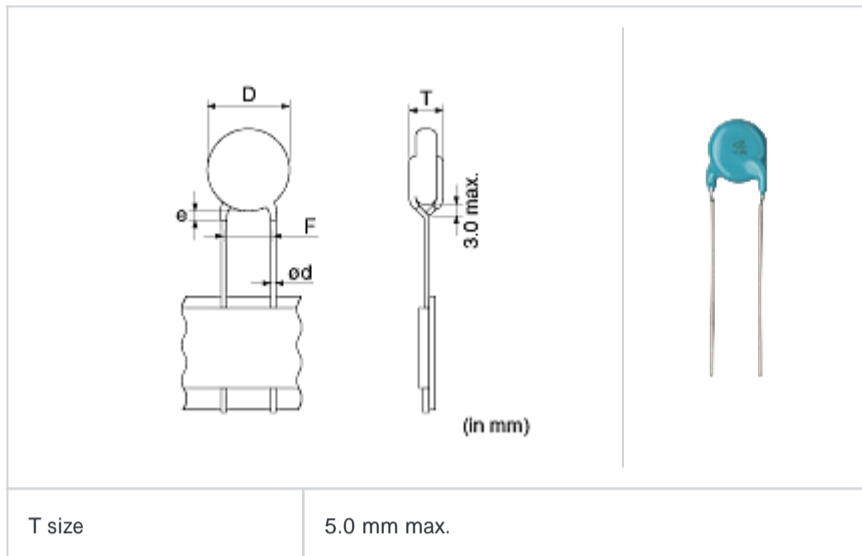


DE21XKY100JN2AM01

" # " indicates a package specification code.

< List of part numbers with package codes >
DE21XKY100JN2AM01

Shape



Notes

X1/Y2 Class Certified Products

References

Packaging	Specifications	Minimum quantity
A	Ammo pack	1000

Specifications

Capacitance	10pF ± 5%
Rated voltage	250Vac(r.m.s.)
Temperature characteristics (complied standard)	SL(JIS)
Temperature coefficient	+350 to -1000ppm/
Temperature range of temperature characteristics	20 to 85
Operating temperature range	-25 to 125

1 of 1

⚠ Attention

- 1.This datasheet is downloaded from the website of Murata Manufacturing Co., Ltd. Therefore, it ' s specifications are subject to change or our products in it may be discontinued without advance notice. Please check with our sales representatives or product engineers before ordering.
- 2.This datasheet has only typical specifications because there is no space for detailed specifications. Therefore, please review our product specifications or consult the approval sheet for product specifications before ordering.