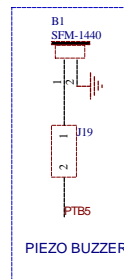
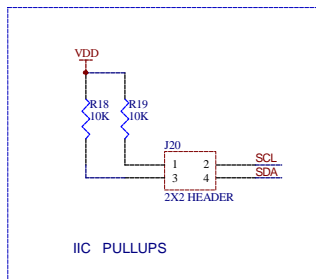
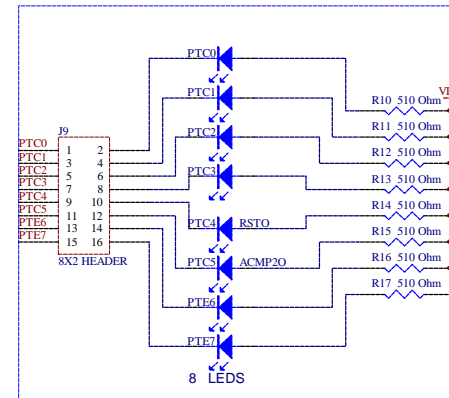
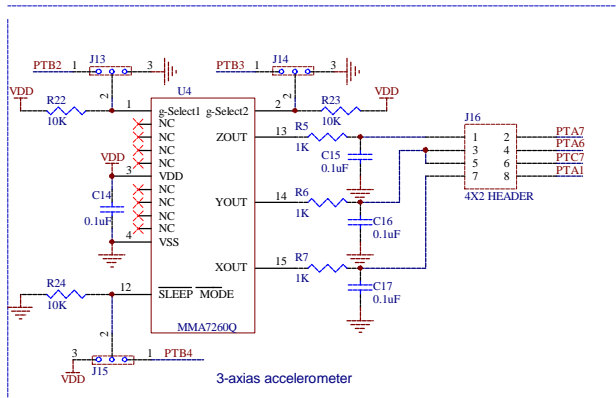


Copyright (C) 2007, P&E Microcomputer Systems, Inc.

P&E Microcomputer Systems, Inc.
98 Galen Street, Floor 2
Watertown
MA 02472
USA

DEMOQE Base Board Schematic

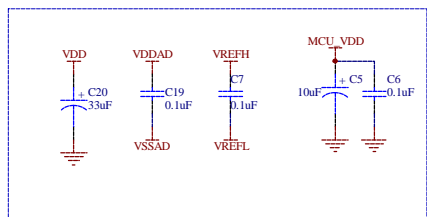
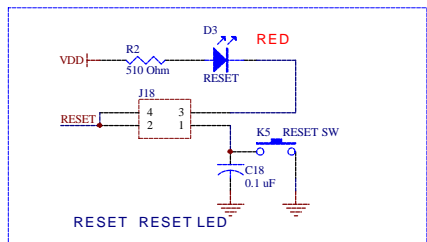
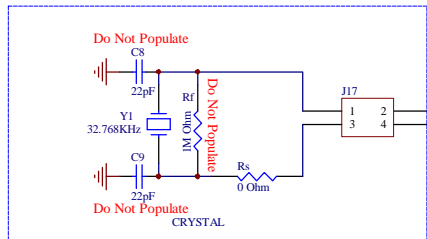
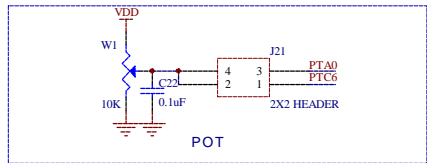
Size B	FCSM No.	DWG No.	Rev B
Scale	Sheet 1 of 3		



MCU_PORT_VDD	J1	J2	MCU_PORT	
VDD	1	PTA5/IRQ/TPM1CLK/RESET	2	RESET
VSS	3	PTA5/IRQ/TPM1CLK/RESET	4	RESET
PTB1	5	PTA4/ACMP10/BKGD/MS	6	BKGD
PTB0	7	PTE7/TMP3CLK (n/c for 32 LQFP)	8	PTE7
PTA2	9	VREFH	10	VREFH
PTA3	11	VREFL	12	VREFL
PTC0	13	PTA0/KB1P0/TPM1CH0/ADP0/ACMP1+	14	PTA0
PTC1	15	PTA1/KB1P1/TPM2CH0/ADP1/ACMP1-	16	PTA1
PTC1	15	PTF0/ADP10 (n/c for 32 LQFP)	18	PTF0
PTB3	17	PTF1/ADP11 (n/c for 32 LQFP)	20	PTF1
PTB4	19	PTA6/TPM1CH2/ADP6	22	PTA6
PTB2	21	PTA7/TPM2CH2/ADP9	24	PTA7
PTB5	23	PTH6/SCL2 (PTB7/SDA1/XTAL for 32 LQFP)	26	SCL
PTD1	25	PTH7/SDA2 (PTB6/SDA1/XTAL for 32 LQFP)	28	SDA
PTD2	27	PTD4/KB1P4 (n/c for 32 LQFP)	30	PTD4
PTD0	29	PTD5/KB1P5 (n/c for 32 LQFP)	32	PTD5
PTD3	31	PTD6/KB1P6 (n/c for 32 LQFP)	34	PTD6
PTC2	33	PTD7/KB1P7 (n/c for 32 LQFP)	36	PTD7
PTC3	35	PTC7/TxD2/ACMP2-	38	PTC7
PTC4	37	PTC6/RxD2/ACMP2+	40	PTC6
PTC5	39	PTB7/SCL1/EXTAL	42	PTB7
PTF2	41	PTB6/SDA1/XTAL	44	PTB6
PTF3	43	PTG0	46	PTG0
PTF4	45	PTG1	48	PTG1
PTF5	47	PTH0	50	PTH0
PTF6	49	PTH1	52	PTH1
PTF7	51	NC	54	NC
PTG2	53	NC	56	NC
PTG3	55	NC		

Copyright (C) 2007, P&E Microcomputer Systems, Inc.

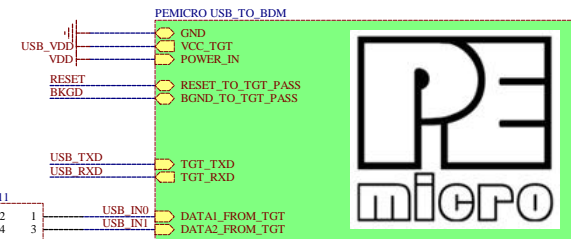
P&E Microcomputer Systems, Inc. 98 Galen Street, Floor 2 Watertown MA 02472 USA.		DEMOQUE Base Board Schematic	
Size B	FCSM No.	DWG No.	Rev B
Scale		Sheet 2 of 3	



U1

PTD1	1	PTD1/KB1P1/MOSI2	PTA4/ACMP10/BKGD/MS	64	BKGD
PTD0	2	PTD0/KB1P0/SPSCK2	PTA5/IRQ/TPM1CLK/RESET	63	RESET
SDA	3	PTH7/SDA2	PTC4/TPM3CH4/RSTO	62	PTC4
SCL	4	PTH6/SCL2	PTC5/TPM3CH5/ACMP20	61	PTC5
PTE7	5	PTE7/TPM3CLK	PTE0/TPM2CLK/SPSCK1	60	PTE0
VDD	6	VDD	PTE1/MOSI1	59	PTE1
VDDAD	7	VDDAD	PTG0	58	PTG0
VREFH	8	VREFH	PTG1	57	PTG1
VREFL	9	VREFL	PTG2/ADP18	56	PTG2
VSSAD	10	VSSAD	PTG3/ADP19	55	PTG3
VSS	11	VSS	PTE2/MISO1	54	PTE2
PTB7	12	PTB7/SCL1/EXTAL	PTE3/SS1	53	PTE3
PTB6	13	PTB6/SDA1/XTAL	PTC6/RxD2/ACMP2+	52	PTC6
PTH1	14	PTH1	PTC7/TxD2/ACMP2-	51	PTC7
PTH0	15	PTH0	PTA0/KB1P0/TPM1CH0/ADP0/ACMP1+	50	PTA0
PTE6	16	PTE6	PTA1/KB1P1/TPM2CH0/ADP1/ACMP1-	49	PTA1
PTE5	17	PTE5	PTA2/KB1P2/SDA1/ADP2	48	PTA2
PTB5	18	PTB5/TPM1CH1/SS1	PTA3/KB1P3/SCL1/ADP3	47	PTA3
PTB4	19	PTB4/TPM2CH1/MISO1	PTD2/KB1P2/MISO2	46	PTD2
PTC3	20	PTC3/TPM3CH3	PTD3/KB1P3/SS2	45	PTD3
PTC2	21	PTC2/TPM3CH2	PTD4/KB1P4	44	PTD4
PTD7	22	PTD7/KB1P7	PTF0/ADP10	43	PTF0
PTD6	23	PTD6/KB1P6	PTF1/ADP11	42	PTF1
PTD5	24	PTD5/KB1P5	VSS	41	
PTC1	25	PTC1/TPM3CH1	VDD	40	MCU_VDD
PTC0	26	PTC0/TPM3CH0	PTE4	39	PTE4
PTF7	27	PTF7/ADP17	PTA6/TPM1CH2/ADP8	38	PTA6
PTF6	28	PTF6/ADP16	PTA7/TPM2CH2/ADP9	37	PTA7
PTF5	29	PTF5/ADP15	PTF2/ADP12	36	PTF2
PTF4	30	PTF4/ADP14	PTF3/ADP13	35	PTF3
PTB3	31	PTB3/KB1P7/MOSI1/ADP7	PTB0/KB1P4/RxD1/ADP4	34	PTB0
PTB2	32	PTB2/KB1P6/SPSCK1/ADP6	PTB1/KB1P5/TxD1/ADP5	33	PTB1

MC9S08QE128CLH



Copyright (C) 2007, P&E Microcomputer Systems, Inc.

P&E Microcomputer Systems, Inc.
98 Galen Street, Floor 2
Watertown
MA 02472
USA

DEMOQE Base Board Schematic

Size B	FCSM No.	DWG No.	Rev B
Scale	Sheet 3 of 3		