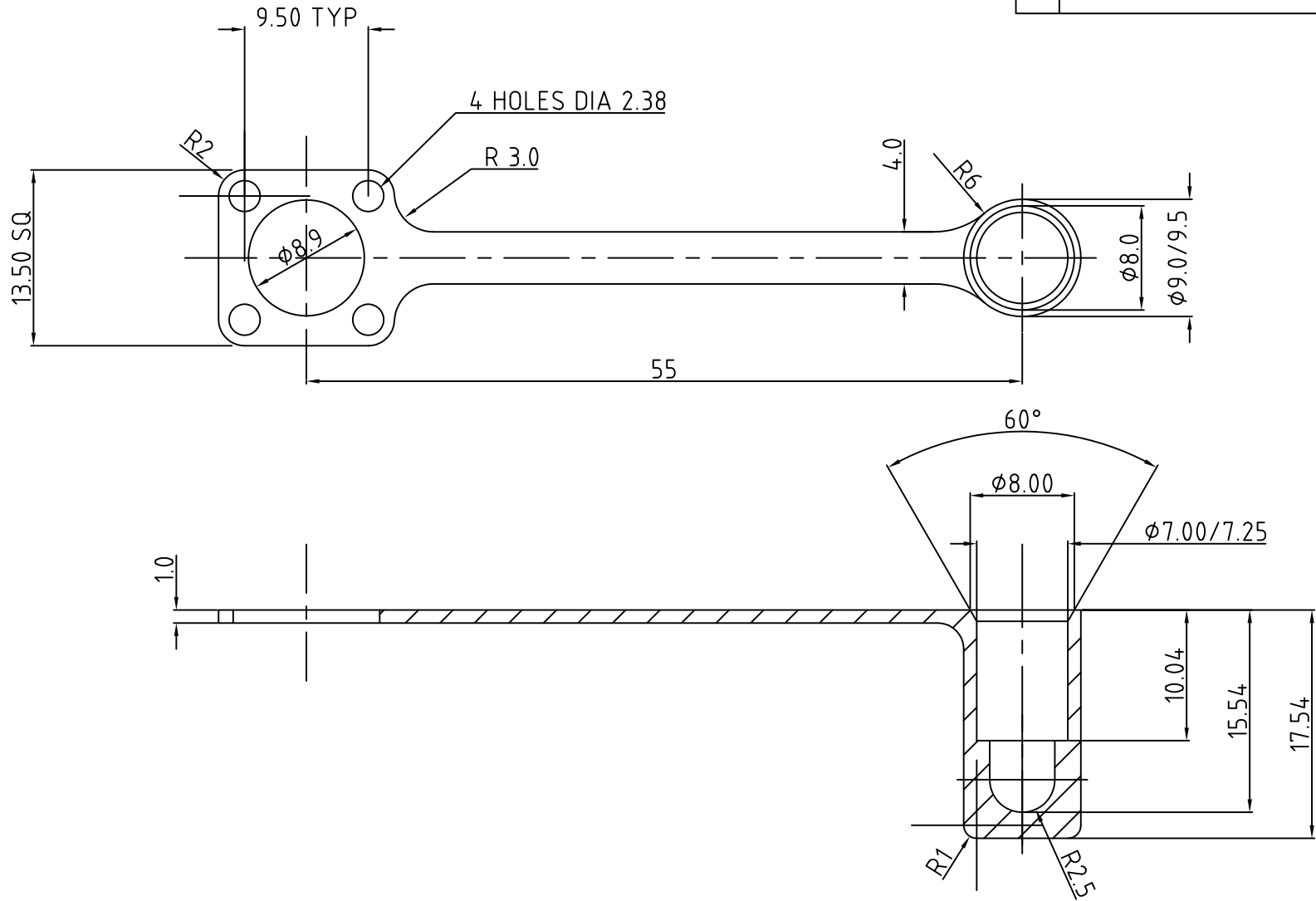


3rd ANG PROJECTION

REV	DESCRIPTION	DATE	APPROVED
1	INITIAL ISSUE	220897	
2	MATERIAL SPEC ADDED	101097	CN00173



NOTES:

ALL DIMS IN MM UNLESS STATED		GEN TOLS 0 = +/-0.5 0.0 = +/-0.3 0.00 = +/-0.1	EUROPLUS FIBRE OPTICS Unit 2, Deben Way, Melton, Woodbridge, Suffolk IP12 1RB Tel: (01394) 386811 Fax: (01394) 380572
------------------------------	--	---	---

MATERIAL	BLACK EVOPRENE 091	THIS DOCUMENT CONTAINS PROPRIETARY INFORMATION WHICH SHALL NOT BE REPRODUCED, TRANSFERRED TO OTHER DOCUMENTS, DISCLOSED TO OTHERS USED FOR MANUFACTURING OR ANY OTHER PURPOSE WITHOUT THE WRITTEN AUTHORISATION OF EUROPLUS FIBRE OPTICS Ltd.	DESCRIPTION FLEXIBLE DUSTCAP FOR NOYES ST POWER METER	DRAWN	CDD	DATE	220897	SIZE	FILE NAME	DWG. No	REV.
FINISH	FLASH FREE			CHKD	DATE	0235001	EFA02 35 001	2			
ICE No:	2394			DO NOT SCALE DRAWING		SCALE	3:1	SHEET	1 of 1		