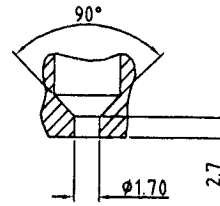




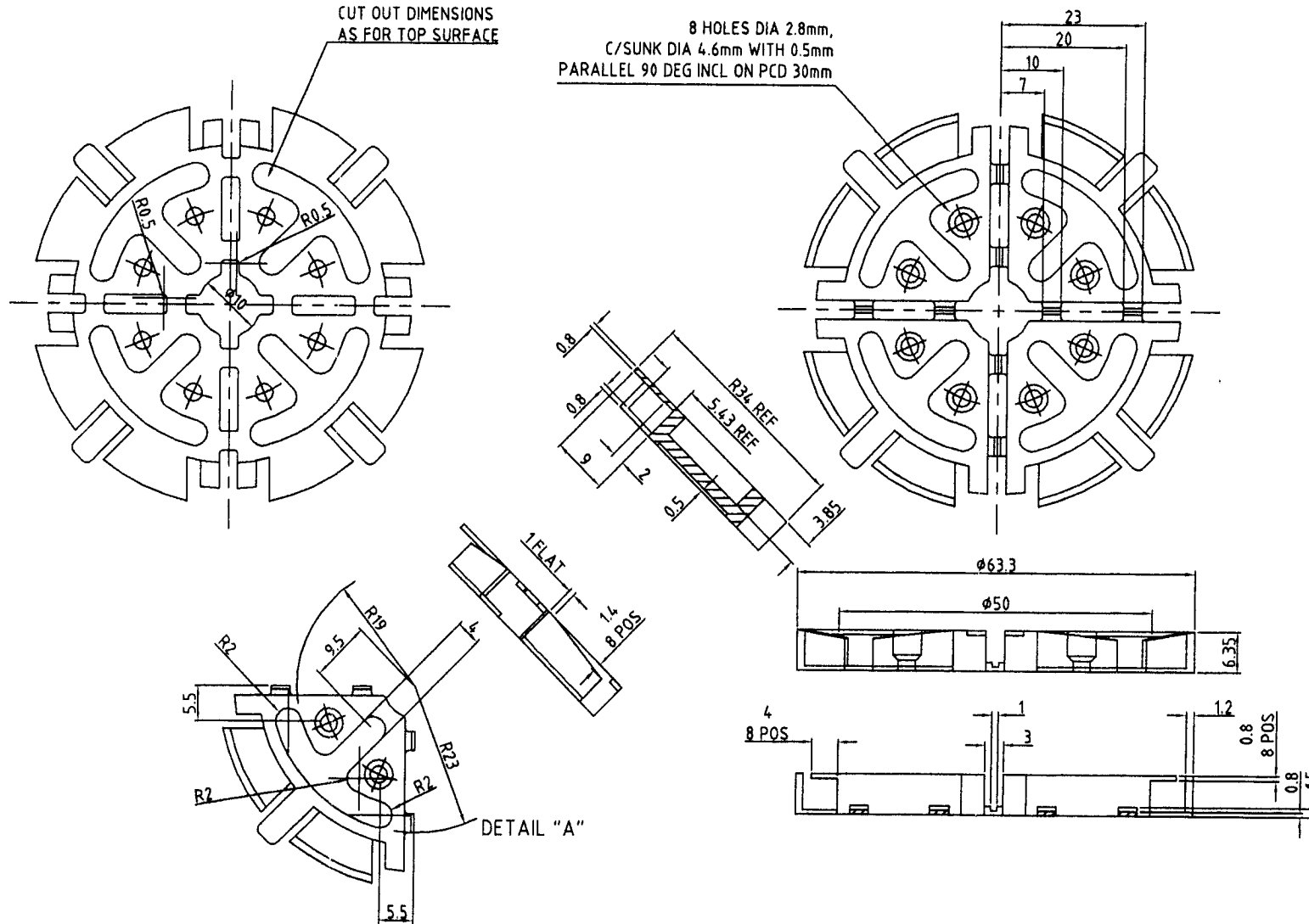
EFA04 21 ASS = EFA04 21 001 (RMS-390) WITH ADHESIVE PAD (RMS-143)

RICHCO ADDED RMS NO. 04/08/09

REV	DESCRIPTION	DATE	APPROVED
1	INITIAL ISSUE	23.05.99	GD
2	NOTES ADDED	12.09.99	GD
3	MATERIAL SPEC CHANGED	28.12.01	GD
4	DO AND TOLERANCES CHANGED	5/04/09	GD/19



C/Sink Detail



8 HOLES DIA 2.8mm,
C/SUNK DIA 4.6mm WITH 0.5mm
PARALLEL 90 DEG INCL ON PCD 30mm

CUT OUT DIMENSIONS
AS FOR TOP SURFACE

DETAIL "A"

F.R. Nylon 6 Radiflam SAE100 or equivalent.

NOTES: No short shots or incomplete mouldings will be accepted.

FORMAL	SEE NOTES	REVISIONS	DESCRIPTION
DATE	BLACK, FLASH FREE	REVISIONS	DESCRIPTION
DATE		REVISIONS	DESCRIPTION

EUROPLUS AND EUROPLUS TECHNOLOGIES ARE TRADEMARKS OF EUROPLUS LIMITED.		GEN TOLS 1 ±0.1-0.5 2 ±0.05-0.3 3 ±0.02-0.1	 EGIDE UK LTD Egide House, Thompson Drive, Southwold, Suffolk, IP19 1ST. Tel: 01502 44500 Fax: 01502 44570
DRAWN: GD DATE: 23.04.99 CHECKED: GD DATE: 23.04.99	DO NOT SCALE DRAWING	SCALE: 1:1 EFA04 21 001	REV: 4
ALL DIMS IN MM UNLESS STATED		DRAWN: GD DATE: 23.04.99	REV: 4