

Address:
BLOCK 1, DEHUINA INDUSTRIAL DISTRICT,
MINGZHI RD LONGHUA, SHENZHEN,
GUANGDONG, CHINA 518131

TEL: (86) 755-8192552 8190943
FAX: (86) 755-8192557
E-mail: szwwiner@public.szptt.net.cn
HOME PAGE: www.globalsources.com/hornmic.co

CUSTOMER: Digi-Key Corporation


APPROVE SHEET

PRODUCT NAME	TYPE	DIMENSION	
Electret Condenser Microphone	EM9745-44	Ø9.7×4.5(mm)	

APPROVED : 李 華 DATE: 2000.11.25

CHECKED BY: 阮 小 波 DATE: 2000.11.25

ISSUED BY: 陳為波 DATE: 2000/11/23



APPROVED BY

DATE:

Address:
 BLOCK 1, DEHUINA INDUSTRIAL DISTRICT,
 MINGZHI RD LONGHUA, SHENZHEN,
 GUANGDONG, CHINA 518131

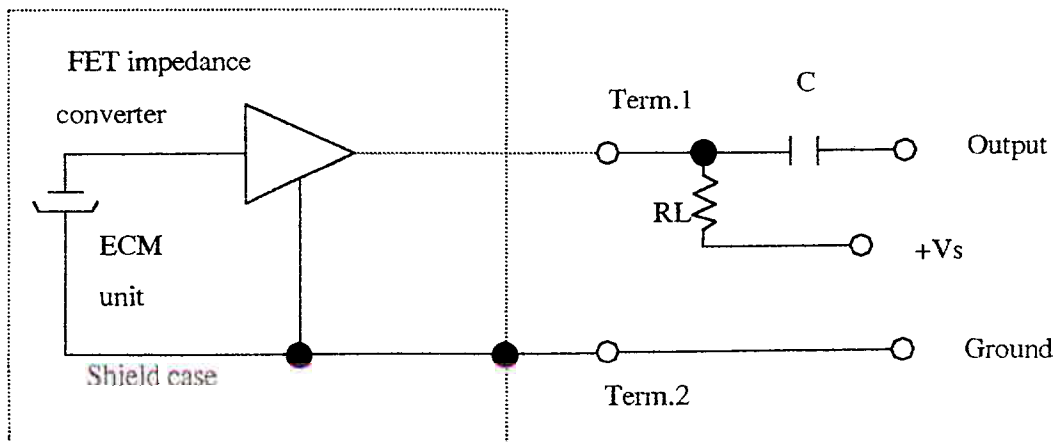
TEL: (86) 755-8192552 8190943
 FAX: (86) 755-8192557
 E-mail: szwwiner@public.szptt.net.cn
 HOME PAGE: www.globalsources.com/hornmic.co

SPECIFICATION

Item	Symbol	Test conditions	Min	Standard	Max	Unit
Sensitivity	S	f=1KHz. Pin=1Pa	-46	-44	-42	dB <small>(dB=1V/Pa)</small>
Directivity	Omnidirectional					
Impedance	Zout				2.2	KΩ
Current consumption	I	f=1KHz. Pin=1Pa			500	uA
Sensitivity reduction	ΔS	f=1KHz. Pin=1Pa. Vs=4.5→1.5V			-3	dB
S/N ratio	S/N(A)	f=1KHz. Pin=1Pa. A=curve	60			dB

Measurement Circuit (Test Condition Vs=4.5V RL=2.2KΩ)

Ta=20°C R.H=65%)

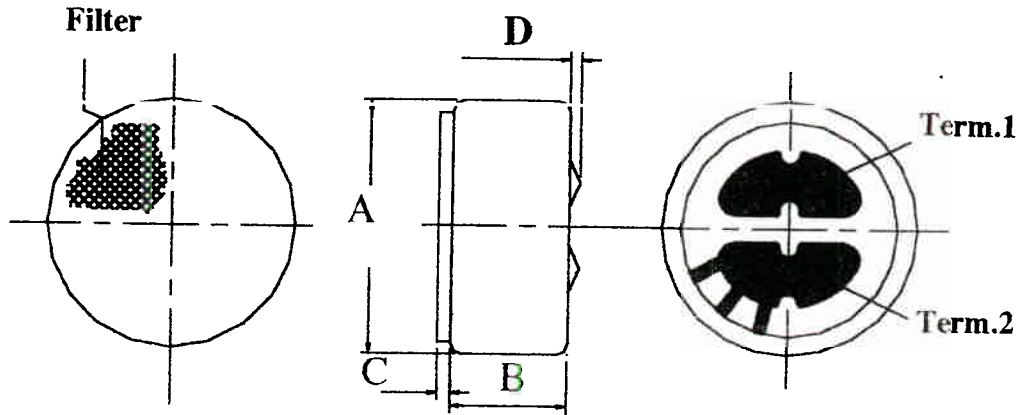


Address:
 BLOCK 1, DEHUINA INDUSTRIAL DISTRICT,
 MINGZHI RD LONGHUA, SHENZHEN,
 GUANGDONG, CHINA 518131

TEL: (86) 755-8192552 8190943
 FAX: (86) 755-8192557
 E-mail: szwwiner@public.szptt.net.cn
 HOME PAGE: www.globalsources.com/hornmic.co

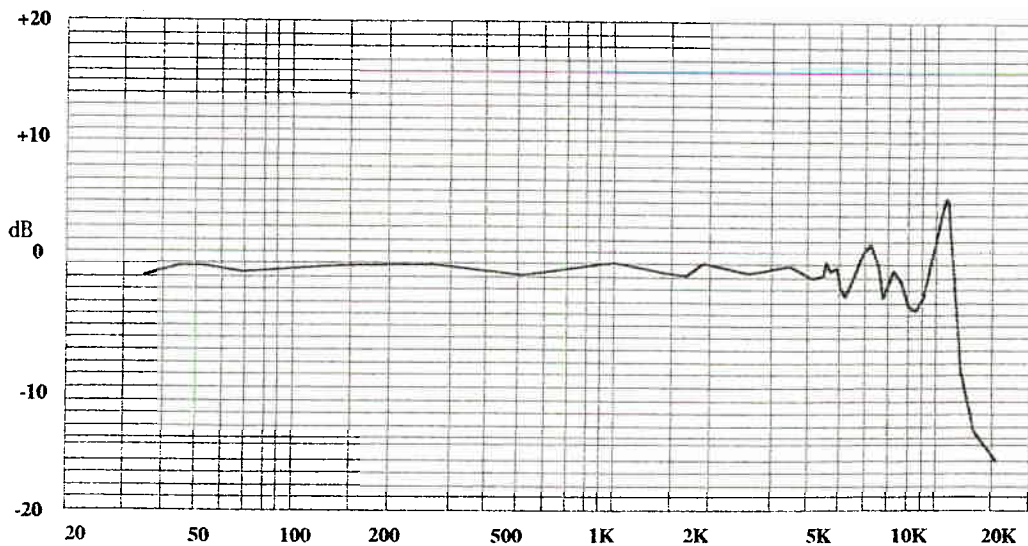
Dimensional Drawing

unit: mm



PART	MIN	TYPE	MAX	REMARK
A	Ø9.6	Ø9.7	Ø9.8	
B	4.3	4.5	4.7	
C	-	-	0.2	
D	-	-	0.8	

Typical Frequency Response Curve



Frequency(Hz)