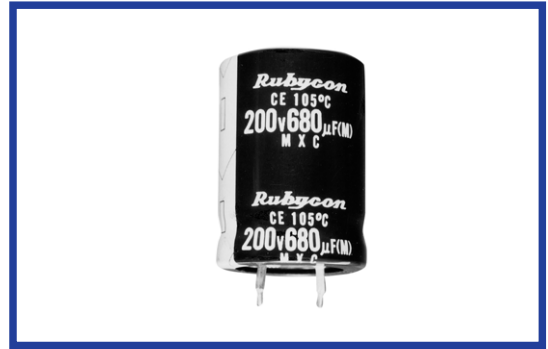


MXC SERIES

105°C Standard, Snap-in Terminal Type

◆FEATURES

- Load Life : 105°C 3000 hours.
- RoHS compliance.



◆SPECIFICATIONS

Items	Characteristics																							
Category Temperature Range	-40~+105°C	-25~+105°C																						
Rated Voltage Range	10~250V.DC	315~450V.DC																						
Capacitance Tolerance	±20% (20°C, 120Hz)																							
Leakage Current(MAX)	$I=3\sqrt{CV}$ (After 5 minutes application of rated voltage) I =Leakage Current(μA) C =Capacitance(μF) V =Rated Voltage(V)																							
Dissipation Factor(MAX) (tanδ)	<table border="1"> <thead> <tr> <th>Rated Voltage (V)</th> <th>10</th> <th>16</th> <th>25</th> <th>35</th> <th>50</th> <th>63</th> <th>80</th> <th>100</th> <th>160~400</th> <th>420~450</th> </tr> </thead> <tbody> <tr> <td>tanδ</td> <td>0.55</td> <td>0.50</td> <td>0.45</td> <td>0.40</td> <td>0.35</td> <td>0.30</td> <td>0.25</td> <td>0.20</td> <td>0.15</td> <td>0.20</td> </tr> </tbody> </table> (20°C, 120Hz)		Rated Voltage (V)	10	16	25	35	50	63	80	100	160~400	420~450	tanδ	0.55	0.50	0.45	0.40	0.35	0.30	0.25	0.20	0.15	0.20
Rated Voltage (V)	10	16	25	35	50	63	80	100	160~400	420~450														
tanδ	0.55	0.50	0.45	0.40	0.35	0.30	0.25	0.20	0.15	0.20														
Endurance	After applying rated voltage with rated ripple current for 3000 hours at 105°C, the capacitors shall meet the following requirements. <table border="1"> <tbody> <tr> <td>Capacitance Change</td> <td>Within ±20% of the initial value.</td> </tr> <tr> <td>Dissipation Factor</td> <td>Not more than 200% of the specified value.</td> </tr> <tr> <td>Leakage Current</td> <td>Not more than the specified value.</td> </tr> </tbody> </table>		Capacitance Change	Within ±20% of the initial value.	Dissipation Factor	Not more than 200% of the specified value.	Leakage Current	Not more than the specified value.																
Capacitance Change	Within ±20% of the initial value.																							
Dissipation Factor	Not more than 200% of the specified value.																							
Leakage Current	Not more than the specified value.																							
Low Temperature Stability Impedance Ratio(MAX)	<table border="1"> <thead> <tr> <th>Rated Voltage (V)</th> <th>10~250</th> <th>315~450</th> </tr> </thead> <tbody> <tr> <td>Z(-25°C)/Z(20°C)</td> <td>3</td> <td>8</td> </tr> <tr> <td>Z(-40°C)/Z(20°C)</td> <td>12</td> <td>-</td> </tr> </tbody> </table> (120Hz)		Rated Voltage (V)	10~250	315~450	Z(-25°C)/Z(20°C)	3	8	Z(-40°C)/Z(20°C)	12	-													
Rated Voltage (V)	10~250	315~450																						
Z(-25°C)/Z(20°C)	3	8																						
Z(-40°C)/Z(20°C)	12	-																						

◆MULTIPLIER FOR RIPPLE CURRENT

Frequency (Hz)		60(50)	120	500	1k	10k≤
Coefficient	10~100WV	0.90	1.00	1.05	1.10	1.15
	160~250WV	0.80	1.00	1.20	1.30	1.50
	315~450WV	0.80	1.00	1.20	1.25	1.40

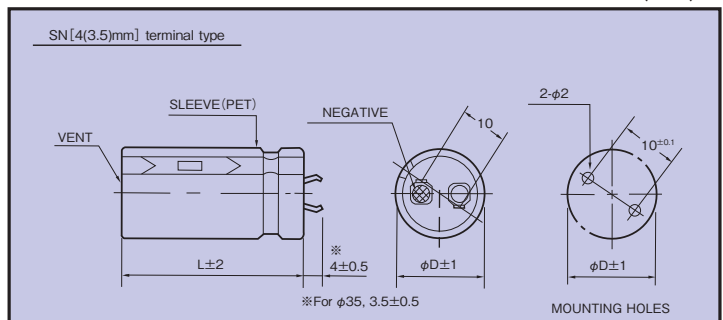
◆PART NUMBER

 MXC **M** **SN** **DXL**
 Rated Voltage Series Capacitance Capacitance Tolerance Option Terminal Code Case Size

◆OPTION

	Code
PET Sleeve without plate	EFC

◆DIMENSIONS



◆ STANDARD SIZE

Cap (μ F)	V.DC ϕ D	400					420						
		ϕ 20	ϕ 22	ϕ 25	ϕ 30	ϕ 35	ϕ 20	ϕ 22	ϕ 25	ϕ 30	ϕ 35		
56		20x25; 0.51					20x25; 0.44						
68		20x30; 0.56	22x25; 0.52				20x30; 0.49	22x25; 0.51					
82		20x30; 0.64	22x25; 0.64				20x35; 0.54	22x30; 0.65	25x25; 0.65				
100		20x35; 0.70	22x30; 0.70	25x25; 0.70			20x35; 0.61	22x30; 0.68	25x25; 0.67				
120		20x40; 0.75	22x35; 0.75	25x25; 0.75			20x40; 0.70	22x35; 0.73	25x30; 0.76	30x25; 0.81			
150		20x45; 0.83	22x40; 0.88	25x30; 0.88	30x25; 0.82		20x45; 0.78	22x40; 0.86	25x35; 0.87	30x25; 0.84			
180			22x45; 0.98	25x35; 0.98	30x30; 0.95			22x45; 0.96	25x35; 0.95	30x30; 0.97	35x25; 0.91		
220			22x50; 1.10	25x40; 1.10	30x30; 1.10	35x25; 1.10			25x40; 1.08	30x35; 1.14	35x30; 1.07		
270				25x45; 1.21	30x35; 1.22	35x30; 1.22			25x50; 1.38	30x35; 1.20	35x35; 1.29		
330					30x40; 1.44	35x30; 1.44				30x40; 1.37	35x35; 1.44		
390					30x45; 1.55	35x35; 1.60				30x45; 1.50	35x40; 1.63		
470						35x40; 1.90					35x45; 1.88		
560						35x45; 2.12							

Cap (μ F)	V.DC ϕ D	450				
		ϕ 20	ϕ 22	ϕ 25	ϕ 30	ϕ 35
47		20x25; 0.39				
56		20x30; 0.51	22x25; 0.44			
68		20x35; 0.56	22x30; 0.53			
82		20x35; 0.64	22x30; 0.64	25x25; 0.64		
100		20x45; 0.69	22x35; 0.69	25x30; 0.69	30x25; 0.69	
120		20x50; 0.75	22x40; 0.75	25x30; 0.75	30x25; 0.80	
150			22x45; 0.88	25x35; 0.88	30x30; 0.88	35x25; 0.75
180				25x40; 0.95	30x30; 1.00	35x30; 0.86
220				25x45; 1.10	30x35; 1.12	35x30; 1.05
270					30x40; 1.28	35x35; 1.27
330					30x50; 1.45	35x40; 1.45
390						35x40; 1.65
470						35x50; 1.85

Ripple Current (A r.m.s./120Hz, 105°C)
Case Size ϕ DxL(mm)