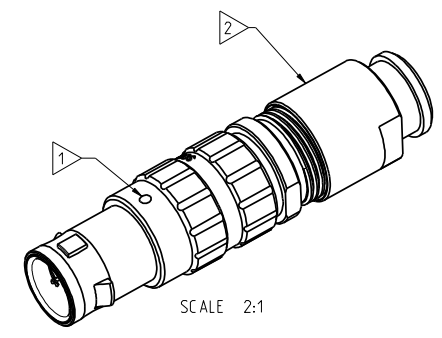
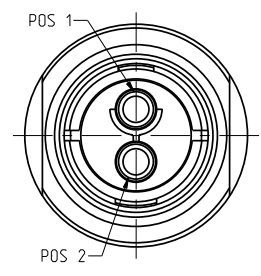


THIS DRAWING IS A CONTROLLED DOCUMENT FOR SOURIAU USA, INC. CONTACT THE DOCUMENT CONTROL CENTER FOR THE LATEST REVISION.  
  
 THE INFORMATION CONTAINED IN THIS DRAWING IS CONFIDENTIAL AND MAY NOT BE DISCLOSED WITHOUT WRITTEN CONSENT FROM SOURIAU USA, INC.

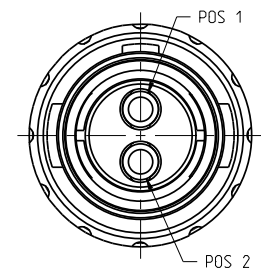
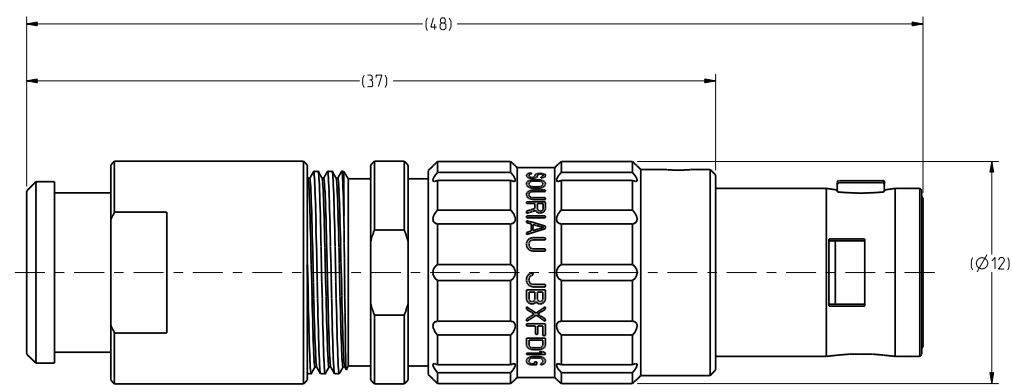
DWG. NO.  
**JBXFD1G02MCSDSMRC**



NOTES:  
 1 > RED DOT.  
 MATERIAL:  
 OUTER SHELL & COLLET NUT : } BRASS CuZn40Pb3 (C38500/C36000)  
 LATCHING SLEEVE :  
 HALF BUSHES :  
 PIN CONTACT (CRIMP) : BRASS CuZn35Pb2 (C35300/C36000)  
 CLIP : BERYLLIUM COPPER CuBe1.9 (C17200/C36000)  
 INSULATOR : PEEK WITH 15% GLASS FILLED, COLOR BROWN  
 COLLET : PA6/6 WITH MoS2, COLOR BLACK  
 FINISH:  
 OUTER SHELL & COLLET NUT : CHROME OVER NICKEL UNDERCOAT  
 OTHER BRASS PARTS EXCEPT PIN CONTACTS : NICKEL  
 PIN CONTACTS : GOLD AS PER MIL-G-45204C TYPE 1, CLASS 00.  
 2 > CONNECTOR WITH BACKNUT FOR PROTECTIVE BOOT - PROTECTIVE BOOT TO ORDER SEPARATELY.



WIRE SIDE VIEW  
(‘COLLET SET’ NOT SHOWN)



MATING SIDE VIEW

A	RELEASED PER ECN 11335	SSF 01-18-11	SDH 01-18-11
REV	DESCRIPTION	BY DATE	CHKD DATE

DRAWING TITLE  
**JBX, SIZE 1, 2 POSITION, MALE STRAIGHT PLUG**  
 CAT NO. **JBXFD1G02MCSDSMR**

LINEAR MEASURE: $\frac{1}{16}$ (INCH) $\frac{1}{2}$ (MILLIMETER)	
THIRD ANGLE PROJECTION	
TOLERANCES UNLESS OTHERWISE SPECIFIED	
No. OF PLACES	mm (INCH)
WHOLE No.	±0.5 (±.02)
ONE PLACE	±0.2 (±.008)
TWO PLACES	±0.1 (±.004)
ANGLES ±1°	

CAGE NO: 09922	SIZE: C	DRAWN: RKO 12-21-10	CHKD: TW 12-21-10
CUSTOMER		DSGN: xxx mm-dd-yy	MFG: DH 12-21-10
		QC: DK 12-21-10	DRAWING SCALE: 4:1
INTERPRET THIS DRAWING IN ACCORDANCE WITH ASME Y14.5M - 1994.		DRAWING NO.	REV
		JBXFD1G02MCSDSMRC	A
www.souriau.com		1 OF 2	

4

3

2

1

C

B

D

C

B

4

3

2

1

PRO-E

DWG. NO.  
**JBXFD1G02MCSDSMRC**

THIS DRAWING IS A CONTROLLED DOCUMENT FOR SOURIAU USA, INC. CONTACT THE DOCUMENT CONTROL CENTER FOR THE LATEST REVISION.

C

B

THE INFORMATION CONTAINED IN THIS DRAWING IS CONFIDENTIAL AND MAY NOT BE DISCLOSED WITHOUT WRITTEN CONSENT FROM SOURIAU USA, INC.

**ELECTRICAL:**

EMI SHIELDING : SHIELDED FOR THE RANGE 55dB UP TO 100MHz

INSULATION RESISTANCE : >500MΩ PER ANSI-EIA-364-D METHOD 21

MAX. CURRENT RATING : (SEE TABLE 1)  
MAXIMUM CURRENT THAT CAN BE APPLIED SIMULTANEOUSLY ON EACH LINE OF THE CONNECTOR MATED PAIR, CONTINUOUSLY DURING ITS LIFE TIME IN NORMAL CLIMATIC CONDITIONS.

CONNECTOR TESTING : 1600Vrms  
VOLTAGE TEST VOLTAGE IS APPROXIMATELY 75% OF THE DWV VOLTAGE AT NORMAL CLIMATIC CONDITIONS. THIS VOLTAGE CAN BE ACHIEVED SEVERAL TIMES, BUT NOT APPLIED CONTINUOUSLY.

CONNECTOR WORKING : 760/530 (Vdc/ Vrms)  
VOLTAGE WORKING VOLTAGE IS APPROXIMATELY 1/3 OF THE TEST VOLTAGE. THIS VOLTAGE IS SUSTAINABLE FOR THE LIFE OF THE CONNECTOR IN ITS WORKING ENVIRONMENT.

**PHYSICAL:**

MAXIMUM WIRE SIZE USED FOR CRIMPING : 18 AWG

CABLE DIAMETER WITH PLASTIC : Ø2.0 mm MIN.  
COLLET SET SUPPLIED TO Ø7.5 mm MAX.

**ENVIRONMENTAL:**

ENDURANCE: 1000 CYCLES AS PER MIL-STD 1344A, METHOD 2016.1

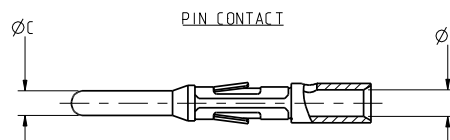
SHOCK: 100 g , DURATION 6 ms; AS PER MIL-STD 1344A, METHOD 2004.1

VIBRATIONS: 10 TO 2000Hz  $\gamma = 20g$ , AS PER MIL-STD 1344A, METHOD 2005.1

PROTECTION INDEX: IP 40 AS PER CEI 529

OPERATING TEMPERATURE:  
WITH PLASTIC COLLETS: -55°C TO +125°C (-67°F TO +257°F)

WITH OPTIONAL METALLIC COLLETS: -55°C TO +200°C (-67°F TO +392°F)  
(ONLY ON REQUEST)



CONTACT		USABLE CABLES			MAX. CURRENT RATING (A)	CONTACT RESISTANCE (mΩ)
ØC	ØF	CORE SECTION (mm <sup>2</sup> )		AWG		
		MIN.	MAX.			
1.3	1.4	0.326	0.823	18-20-22	15	3

LINEAR MEASURE:	
THIRD ANGLE PROJECTION	
TOLERANCES UNLESS OTHERWISE SPECIFIED	
No. OF PLACES	mm (INCH)
WHOLE No.	±0.5 (±.02)
ONE PLACE	±0.2 (±.008)
TWO PLACES	±0.1 (±.004)
ANGLES ±1°	

DRAWING TITLE			
<b>JBX, SIZE 1, 2 POSITION, MALE STRAIGHT PLUG</b>			
CAT NO. <b>JBXFD1G02MCSDSMR</b>			
CAGE NO: 09922	SIZE: C	DRAWN: RKO	12-21-10
		CHKD: TW	12-21-10
		DSGN: xxx	mm-dd-yy
		MFG: DH	12-21-10
		QC: DK	12-21-10
DRAWING SCALE: 4:1		DRAWING NO. REV	
DRAWING NO. REV		JBXFD1G02MCSDSMRC A	
www.souriau.com		2 OF 2	

D

C

B

A

4

3

2

1

PRO-E