

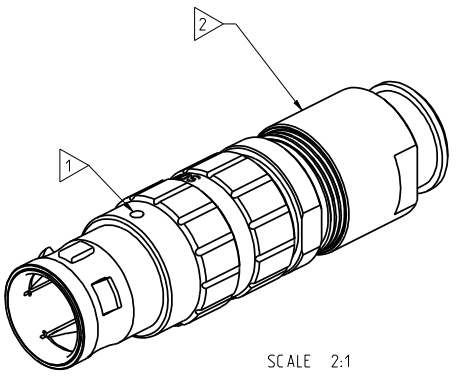
DWG. NO.  
JBXFD2G02MSSDSMRC

THIS DRAWING IS A CONTROLLED DOCUMENT FOR SOURIAU USA, INC. CONTACT THE DOCUMENT CONTROL CENTER FOR THE LATEST REVISION.

C

B

THE INFORMATION CONTAINED IN THIS DRAWING IS CONFIDENTIAL AND MAY NOT BE DISCLOSED WITHOUT WRITTEN CONSENT FROM SOURIAU USA, INC.



SCALE 2:1

NOTES:

1 > RED DOT.

MATERIAL:

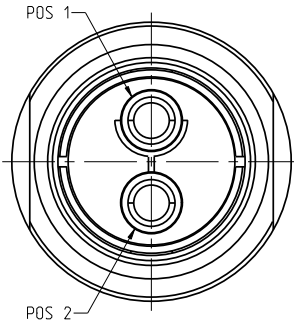
OUTER SHELL & COLLET NUT : } BRASS CuZn40Pb3 (C38500/C36000)  
LATCHING SLEEVE : }  
HALF BUSHES : }

PIN CONTACT (SOLDER) : BRASS CuZn35Pb2 (C35300/C36000)  
CLIP : BERYLLIUM COPPER CuBe1.9 (C17200/C36000)  
INSULATOR : PEEK WITH 15% GLASS FILLED, COLOR BROWN  
COLLET : PA6/6 WITH MoS2, COLOR BLACK

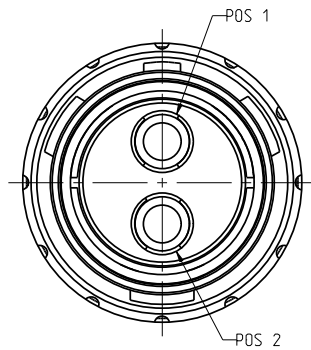
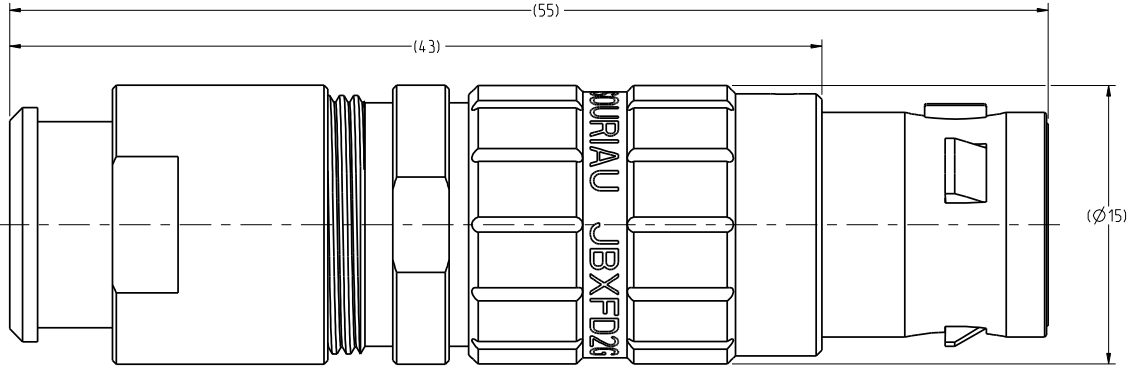
FINISH:

OUTER SHELL & COLLET NUT : CHROME OVER NICKEL UNDERCOAT  
OTHER BRASS PARTS EXCEPT PIN CONTACTS : NICKEL  
PIN CONTACTS : GOLD AS PER MIL-G-45204C TYPE 1, CLASS 00.

2 > CONNECTOR WITH BACKNUT FOR PROTECTIVE BOOT - PROTECTIVE BOOT TO ORDER SEPARATELY.



WIRE SIDE VIEW  
(“COLLET SET” NOT SHOWN)



MATING SIDE VIEW

|     |                        |                 |                 |
|-----|------------------------|-----------------|-----------------|
| A   | RELEASED PER ECN 11336 | SSF<br>01-18-11 | SDH<br>01-18-11 |
| REV | DESCRIPTION            | BY<br>DATE      | CHKD<br>DATE    |

DRAWING TITLE  
**JBX, SIZE 2, 2 POSITION, MALE STRAIGHT PLUG**

CAT NO. **JBXFD2G02MSSDSMR**

CAGE NO: 09922 SIZE: C

|                                       |   |
|---------------------------------------|---|
| LINEAR MEASURE:                       | <input checked="" type="checkbox"/> INCH <input type="checkbox"/> MM (INCH) |
| THIRD ANGLE PROJECTION                |   |
|                                       |   |
| TOLERANCES UNLESS OTHERWISE SPECIFIED |   |
| No. OF PLACES                         | mm (INCH)   |
| WHOLE No.                             | ±0.5 (±.02)   |
| ONE PLACE                             | ±0.2 (±.008)  |
| TWO PLACES                            | ±0.1 (±.004)  |
| ANGLES ±1°                            |   |

**CUSTOMER**

INTERPRET THIS DRAWING IN ACCORDANCE WITH ASME Y14.5M - 1994.



|                    |     |          |
|--------------------|-----|----------|
| DRAWN:             | SNL | 12-20-10 |
| CHKD:              | TW  | 12-20-10 |
| DSGN:              | XXX | mm-dd-yy |
| MFG:               | DH  | 12-20-10 |
| QC:                | DK  | 12-20-10 |
| DRAWING SCALE: 4:1 |     |          |
| DRAWING NO.        | REV |          |
| JBXFD2G02MSSDSMRC  | A   |          |
| 1 OF 2             |     |          |

D

C

B

A

4

3

2

1

PRO-E

DWG. NO.  
JBXFD2G02MSSDSMRC

THIS DRAWING IS A CONTROLLED DOCUMENT FOR SOURIAU USA, INC. CONTACT THE DOCUMENT CONTROL CENTER FOR THE LATEST REVISION.

C

B

THE INFORMATION CONTAINED IN THIS DRAWING IS CONFIDENTIAL AND MAY NOT BE DISCLOSED WITHOUT WRITTEN CONSENT FROM SOURIAU USA, INC.

**ELECTRICAL:**

EMI SHIELDING : SHIELDED FOR THE RANGE 55dB UP TO 100MHz

INSULATION RESISTANCE : >500MΩ PER ANSI-EIA-364-D METHOD 21

MAX. CURRENT RATING : (SEE TABLE 1)  
MAXIMUM CURRENT THAT CAN BE APPLIED SIMULTANEOUSLY ON EACH LINE OF THE CONNECTOR MATED PAIR, CONTINUOUSLY DURING ITS LIFE TIME IN NORMAL CLIMATIC CONDITIONS.

CONNECTOR TESTING : 2100Vrms  
VOLTAGE  
TEST VOLTAGE IS APPROXIMATELY 75% OF THE DWV VOLTAGE AT NORMAL CLIMATIC CONDITIONS. THIS VOLTAGE CAN BE ACHIEVED SEVERAL TIMES, BUT NOT APPLIED CONTINUOUSLY.

CONNECTOR WORKING : 1000/700 (Vdc/ Vrms)  
VOLTAGE  
WORKING VOLTAGE IS APPROXIMATELY 1/3 OF THE TEST VOLTAGE. THIS VOLTAGE IS SUSTAINABLE FOR THE LIFE OF THE CONNECTOR IN ITS WORKING ENVIRONMENT.

**PHYSICAL:**

MAXIMUM WIRE SIZE USED : 16 AWG

CABLE DIAMETER WITH PLASTIC : Ø3.5 mm MIN.  
COLLET SET SUPPLIED TO Ø9.7 mm MAX.

**ENVIRONMENTAL:**

ENDURANCE: 1000 CYCLES AS PER MIL-STD 1344A, METHOD 2016.1

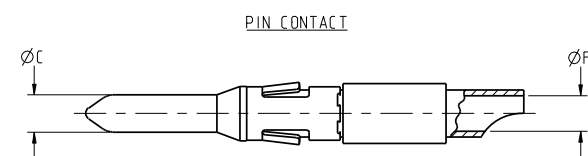
SHOCK: 100 g , DURATION 6 ms: AS PER MIL-STD 1344A, METHOD 2004.1

VIBRATIONS: 10 TO 2000Hz  $\gamma = 20g$ , AS PER MIL-STD 1344A, METHOD 2005.1

PROTECTION INDEX: IP 40 AS PER CEI 529

OPERATING TEMPERATURE:  
WITH PLASTIC COLLETS: -55°C TO +125°C (-67°F TO +257°F)

WITH OPTIONAL METALLIC COLLETS: -55°C TO +200°C (-67°F TO +392°F)  
(ONLY ON REQUEST)



| CONTACT |     | USABLE CABLES                   |      |     | MAX. CURRENT RATING (A) | CONTACT RESISTANCE (mΩ) |
|---------|-----|---------------------------------|------|-----|-------------------------|-------------------------|
| ØC      | ØF  | CORE SECTION (mm <sup>2</sup> ) |      | AWG |                         |                         |
|         |     | MIN.                            | MAX. |     |                         |                         |
| 2       | 1.9 | -                               | 1.34 | 16  | 30                      | 2.5                     |

DRAWING TITLE  
**JBX, SIZE 2, 2 POSITION, MALE STRAIGHT PLUG**

CAT NO.  
**JBXFD2G02MSSDSMR**

CAGE NO: 09922      SIZE: C

**CUSTOMER**



www.souriau.com

INTERPRET THIS DRAWING IN ACCORDANCE WITH ASME Y14.5M - 1994.

|        |     |          |
|--------|-----|----------|
| DRAWN: | SNL | 12-20-10 |
| CHKD:  | TW  | 12-20-10 |
| DSGN:  | XXX | mm-dd-yy |
| MFG:   | DH  | 12-20-10 |
| QC:    | DK  | 12-20-10 |

|                    |     |
|--------------------|-----|
| DRAWING SCALE: 4:1 |     |
| DRAWING NO.        | REV |
| JBXFD2G02MSSDSMRC  | A   |

2 OF 2

D

C

B

A

4

3

2

1

PRO-E