

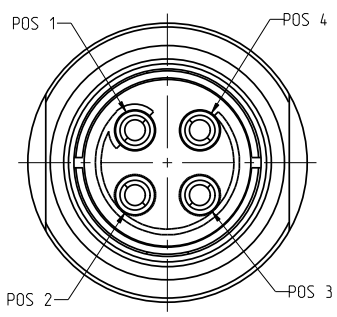
DWG. NO.
JBXFD2G04MSSDSMRC

THIS DRAWING IS A CONTROLLED DOCUMENT FOR SOURIAU USA, INC. CONTACT THE DOCUMENT CONTROL CENTER FOR THE LATEST REVISION.

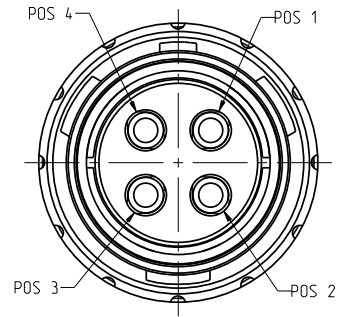
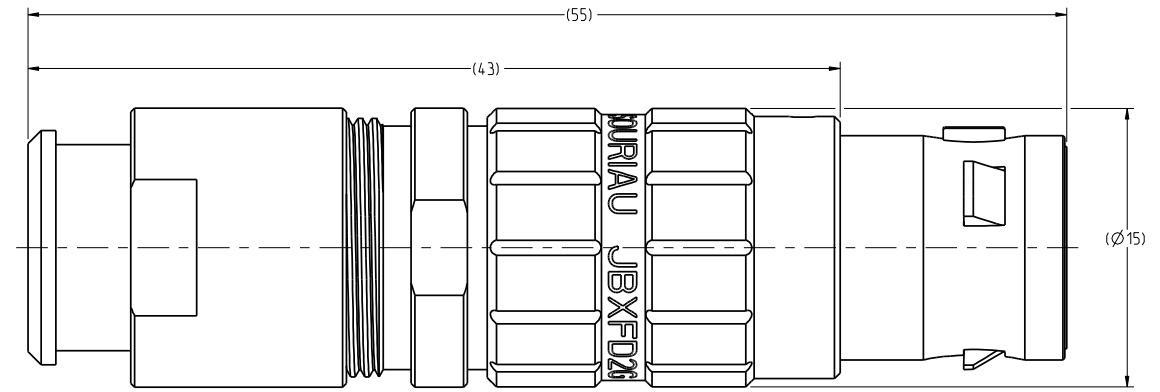
C

B

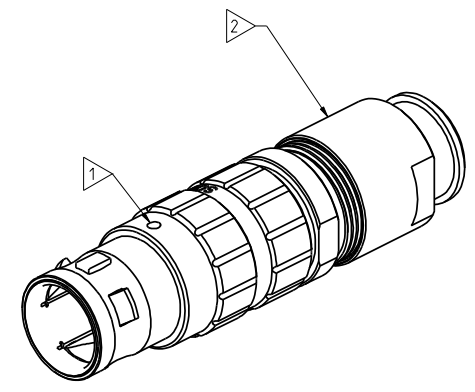
THE INFORMATION CONTAINED IN THIS DRAWING IS CONFIDENTIAL AND MAY NOT BE DISCLOSED WITHOUT WRITTEN CONSENT FROM SOURIAU USA, INC.



WIRE SIDE VIEW
(COLLET SET NOT SHOWN)



MATING SIDE VIEW



SCALE 2:1

NOTES:

1 RED DOT.

MATERIAL:

OUTER SHELL & COLLET NUT : } BRASS CuZn40Pb3 (C38500/C36000)
LATCHING SLEEVE : }
HALF BUSHES : }

PIN CONTACT (SOLDER) : BRASS CuZn35Pb2 (C35300/C36000)
CLIP : BERYLLIUM COPPER CuBe1.9 (C17200/C36000)
INSULATOR : PEEK WITH 15% GLASS FILLED. COLOR BROWN
COLLET : PA6/6 WITH MoS2. COLOR BLACK

FINISH:

OUTER SHELL & COLLET NUT : CHROME OVER NICKEL UNDERCOAT
OTHER BRASS PARTS EXCEPT PIN CONTACTS : NICKEL
PIN CONTACTS : GOLD AS PER MIL-G-45204C TYPE 1, CLASS 00.

2 CONNECTOR WITH BACKNUT FOR PROTECTIVE BOOT - PROTECTIVE BOOT TO ORDER SEPARATELY.

| | | | |
|-----|------------------------|--------------|--------------|
| A | RELEASED PER ECN 11336 | SSF 01-18-11 | SDH 01-18-11 |
| REV | DESCRIPTION | BY DATE | CHKD DATE |

DRAWING TITLE
JBX, SIZE 2, 4 POSITION, MALE STRAIGHT PLUG

CAT NO. **JBXFD2G04MSSDSMR**

| | |
|---------------------------------------|---------------------------------------------------|
| LINEAR MEASURE: | $\frac{1}{16}$ (INCH) $\frac{1}{25}$ (MILLIMETER) |
| THIRD ANGLE PROJECTION | |
| TOLERANCES UNLESS OTHERWISE SPECIFIED | |
| NO. OF PLACES | mm (INCH) |
| WHOLE No. | ±0.5 (±.02) |
| ONE PLACE | ±0.2 (±.008) |
| TWO PLACES | ±0.1 (±.004) |
| ANGLES | ±1° |

CAGE NO: 09922 SIZE: C

CUSTOMER
INTERPRET THIS DRAWING IN ACCORDANCE WITH ASME Y14.5M - 1994.



| | | |
|-------------------|-----|----------|
| DRAWN: | SNL | 12-20-10 |
| CHKD: | TW | 12-20-10 |
| DSGN: | XXX | mm-dd-yy |
| MFG: | DH | 12-20-10 |
| QC: | DK | 12-20-10 |
| DRAWING SCALE: | 4:1 | |
| DRAWING NO. | REV | |
| JBXFD2G04MSSDSMRC | A | |
| 1 OF 2 | | |

D

C

B

A

4

3

2

1

PRO-E

DWG. NO.
JBXFD2G04MSSDSMRC

THIS DRAWING IS A CONTROLLED DOCUMENT FOR SOURIAU USA, INC. CONTACT THE DOCUMENT CONTROL CENTER FOR THE LATEST REVISION.

C

B

THE INFORMATION CONTAINED IN THIS DRAWING IS CONFIDENTIAL AND MAY NOT BE DISCLOSED WITHOUT WRITTEN CONSENT FROM SOURIAU USA, INC.

ELECTRICAL:

EMI SHIELDING : SHIELDED FOR THE RANGE 55dB UP TO 100MHz

INSULATION RESISTANCE : >500MΩ PER ANSI-EIA-364-D METHOD 21

MAX. CURRENT RATING : (SEE TABLE 1)
MAXIMUM CURRENT THAT CAN BE APPLIED SIMULTANEOUSLY ON EACH LINE OF THE CONNECTOR MATED PAIR, CONTINUOUSLY DURING ITS LIFE TIME IN NORMAL CLIMATIC CONDITIONS.

CONNECTOR TESTING : 2400Vrms
VOLTAGE TEST VOLTAGE IS APPROXIMATELY 75% OF THE DWV VOLTAGE AT NORMAL CLIMATIC CONDITIONS. THIS VOLTAGE CAN BE ACHIEVED SEVERAL TIMES, BUT NOT APPLIED CONTINUOUSLY.

CONNECTOR WORKING : 1000/800 (Vdc/ Vrms)
VOLTAGE WORKING VOLTAGE IS APPROXIMATELY 1/3 OF THE TEST VOLTAGE. THIS VOLTAGE IS SUSTAINABLE FOR THE LIFE OF THE CONNECTOR IN ITS WORKING ENVIRONMENT.

PHYSICAL:

MAXIMUM WIRE SIZE USED : 20 AWG

CABLE DIAMETER WITH PLASTIC : Ø3.5 mm MIN.
COLLET SET SUPPLIED TO Ø9.7 mm MAX.

ENVIRONMENTAL:

ENDURANCE: 1000 CYCLES AS PER MIL-STD 1344A, METHOD 2016.1

SHOCK: 100 g . DURATION 6 ms: AS PER MIL-STD 1344A, METHOD 2004.1

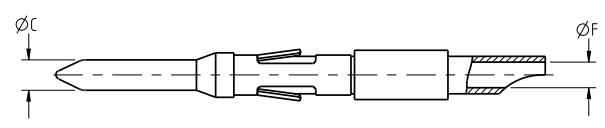
VIBRATIONS: 10 TO 2000Hz $\gamma = 20g$, AS PER MIL-STD 1344A, METHOD 2005.1

PROTECTION INDEX: IP 40 AS PER CEI 529

OPERATING TEMPERATURE:
WITH PLASTIC COLLETS: -55°C TO +125°C (-67°F TO +257°F)

WITH OPTIONAL METALLIC COLLETS: -55°C TO +200°C (-67°F TO +392°F)
(ONLY ON REQUEST)

PIN CONTACT



| TABLE 1 | | | | | | |
|---------|-----|---------------------------------|------|-----|-------------------------|-------------------------|
| CONTACT | | USABLE CABLES | | | MAX. CURRENT RATING (A) | CONTACT RESISTANCE (mΩ) |
| ØC | ØF | CORE SECTION (mm ²) | | AWG | | |
| | | MIN. | MAX. | | | |
| 1.3 | 1.1 | - | 0.60 | 20 | 15 | 3 |

DRAWING TITLE
JBX, SIZE 2, 4 POSITION, MALE STRAIGHT PLUG

CAT NO.
JBXFD2G04MSSDSMR

CAGE NO: 09922 SIZE: C

LINEAR MEASURE: $\frac{mm}{INCH}$ $\frac{mm}{INCH}$

THIRD ANGLE PROJECTION

TOLERANCES UNLESS OTHERWISE SPECIFIED

| | |
|---------------|--------------|
| No. OF PLACES | mm [INCH] |
| WHOLE No. | ±0.5 [±.02] |
| ONE PLACE | ±0.2 [±.008] |
| TWO PLACES | ±0.1 [±.004] |
| ANGLES | ±1° |

CUSTOMER

INTERPRET THIS DRAWING IN ACCORDANCE WITH ASME Y14.5M - 1994.



| | | |
|--------------------|-----|----------|
| DRAWN: | SNL | 12-20-10 |
| CHKD: | TW | 12-20-10 |
| DSGN: | XXX | mm-dd-yy |
| MFG: | DH | 12-20-10 |
| QC: | DK | 12-20-10 |
| DRAWING SCALE: 4:1 | | |
| DRAWING NO. | REV | |
| JBXFD2G04MSSDSMRC | A | |
| 2 OF 2 | | |

D

C

B

A

4

3

2

1

PRO-E