

(0,50 mm) .0197"

LTH, LSH SERIES

LSH-030-01-G-D-A



LSH-010-01-G-D-A



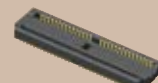
LSH-050-01-G-D-A



LTH-050-01-G-D-A



LTH-030-01-G-D-A



LTH-010-01-G-D-A



LOW PROFILE BLADE AND BEAM

SPECIFICATIONS

For complete specifications and recommended PCB layouts see www.samtec.com?LTH or www.samtec.com?LSH

Insulator Material:

Liquid Crystal Polymer



Terminal Material:

Phosphor Bronze

Contact Material:

BeCu

Plating:

Au over 50µ" (1,27 µm) Ni

Current Rating:

1.5A per contact

@ 80°C ambient

Operating Temp Range:

-55°C to +125°C

RoHS Compliant:

Yes

Processing:

Lead-Free Solderable:

No

SMT Lead Coplanarity:

(0,10 mm) .004" max

Board Stacking:

For applications requiring more than two connectors per board, contact ipg@samtec.com



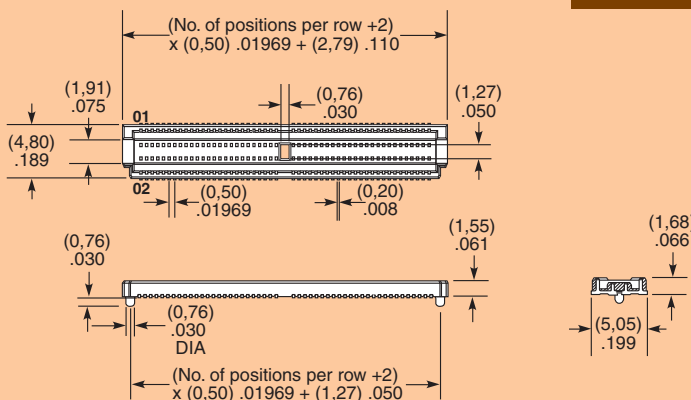
Mates with: LSH

-010, -020, -030, -040, -050

-G
= 10µ" (0,25 µm) Gold

-K
= (5,50 mm) .217" DIA Polyimide Film Pick & Place Pad

-TR
= Tape and Reel



MATED HEIGHT

LEAD STYLE	MATED HEIGHT*
-01	(2,31) .091

*Processing conditions will affect mated height.



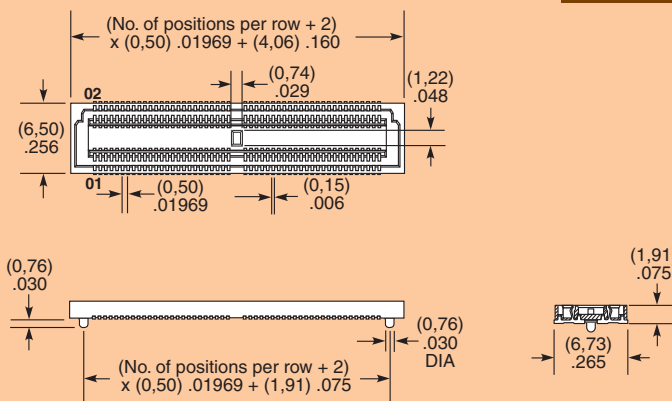
Mates with: LTH

-010, -020, -030, -040, -050

-G
= 10µ" (0,25 µm) Gold

-K
= (7,50 mm) .295" DIA Polyimide Film Pick & Place Pad

-TR
= Tape and Reel



Note: Samtec recommends right-side-up, single-pass 63/37 Tin/Lead reflow soldering for these connectors. This product is not compatible with lead-free reflow soldering.

Note: Some lengths, styles and options are non-standard, non-returnable.

Due to technical progress, all designs, specifications and components are subject to change without notice.

WWW.SAMTEC.COM