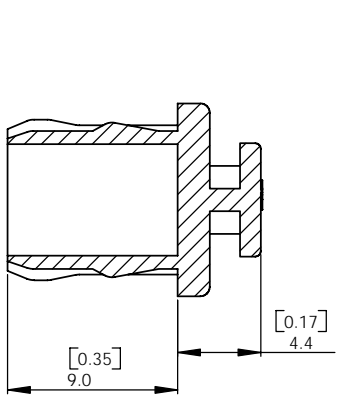
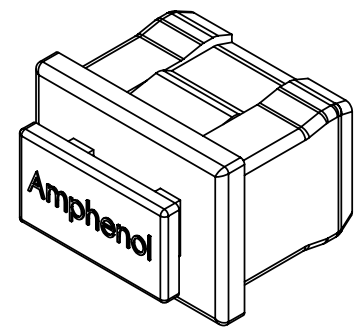
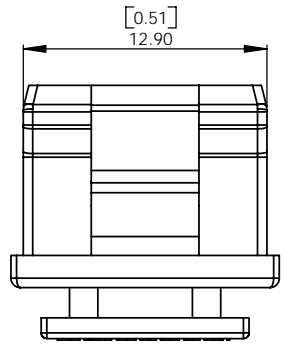
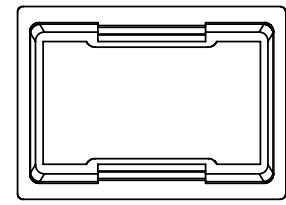
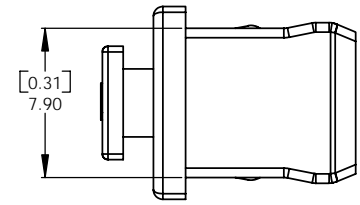
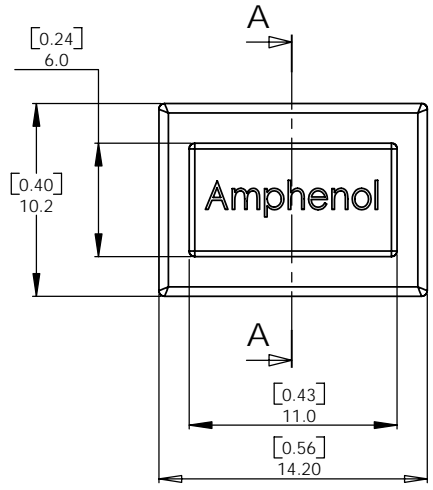


| REV. | ECN | DESCRIPTION | DATE | APPRVD |
|------|-----|----------------------|-----------|--------|
| A | | PROPOSAL | FEB.23/07 | A.G. |
| B | | 14.2 was 13.7(error) | FEB.23/07 | A.G. |



SECTION A-A



| | | | | | | |
|---|--|-----------------------|------------|--|------------------------------|-----------------|
| UNLESS OTHERWISE SPECIFIED DIMENSIONS ARE IN MILLIMETER TOLERANCES ARE: | | APPROVALS | DATE | Amphenol Canada Corp. | | |
| DECIMALS .XX ±.10 .X ±.20 | | DRAWN LAWRENCE KIM | 2007/02/23 | | | |
| ANGLES ± 1° | | DESIGNED LAWRENCE KIM | 2007/02/23 | TITLE DUST COVER FOR SFP+ CAGE | | |
| MATERIAL AND FINISH THERMOPLASTIC | | CHECKED | | | | |
| REF. | | QA APP'D | | SIZE A3 | DWG. NO. P-U77-1140-8020P | REV. B |
| CODE IDENT. NO. | | IE APP'D | | SCALE 5:1 | PROJECT pr | SHEET 1 OF 1 |
| | | DWG APP'D A.GREEN | 2007/02/23 | | | |

DO NOT SCALE DRAWING
THIS DOCUMENT CONTAINS PROPRIETARY INFORMATION AND SUCH INFORMATION MAY NOT BE DISCLOSED TO OTHERS FOR ANY PURPOSE OR USED FOR MANUFACTURING PURPOSES WITHOUT PERMISSION FROM AMPHENOL CANADA CORP.