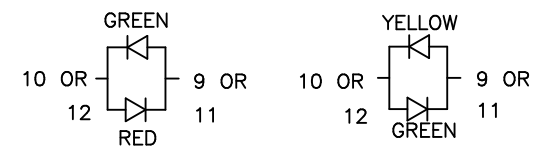
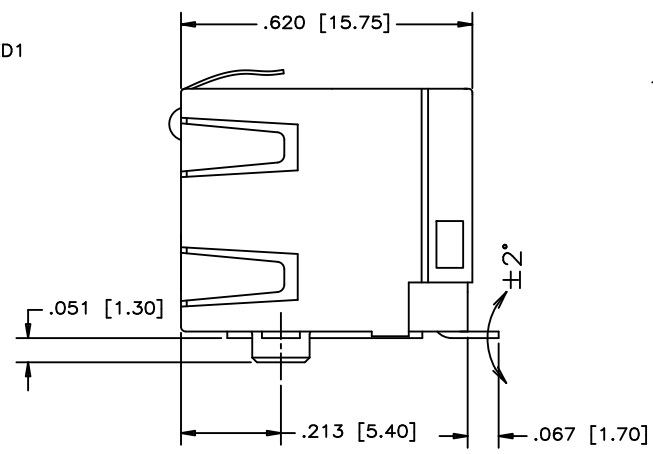
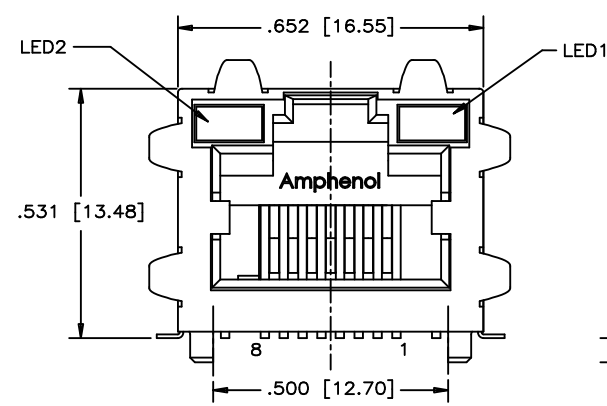
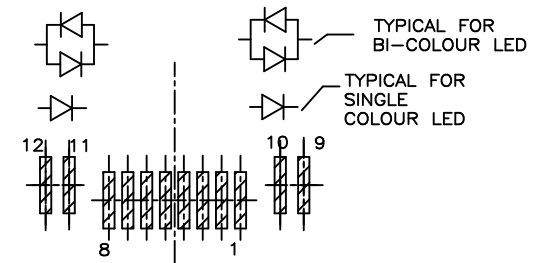


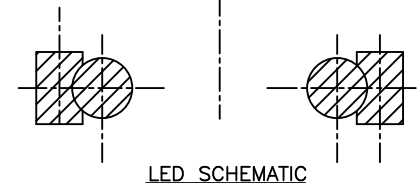
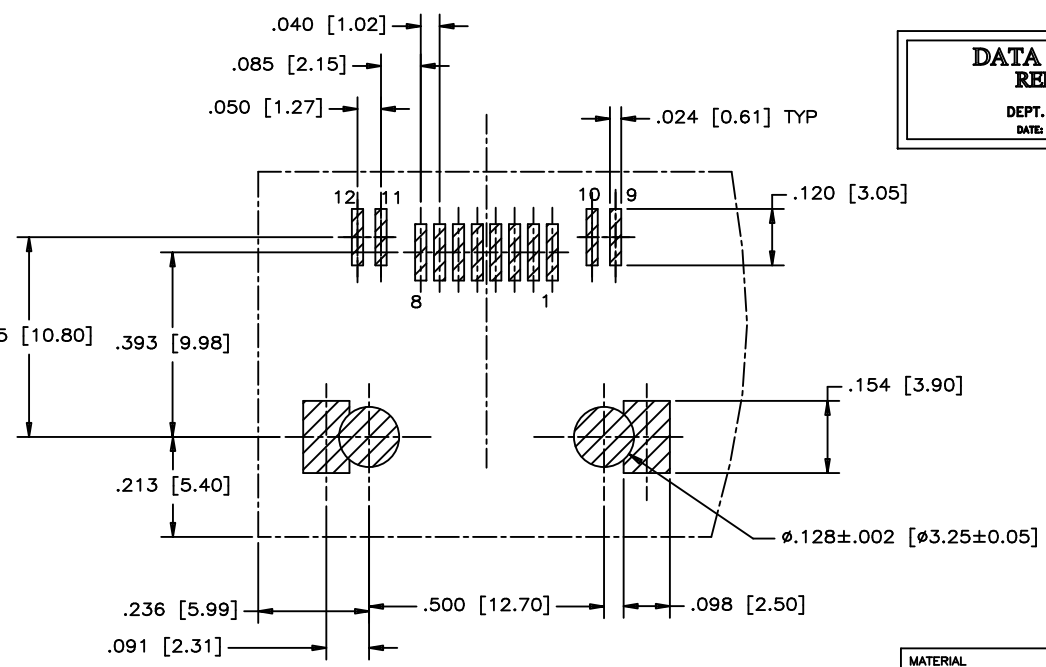
REVISIONS				
SYM	ZONE	ECN, ERN NO.	DATE	APPRD.
A		PER ECN E07065	MAR14/07	L.CHAN
B		PER ECN E07131	MAY10/07	L.CHAN
C		SHIELD TAB PROFILE IMPROVED, CONTACT TAIL "GOLD FLASH" ADDED	APR29/11	A.GREEN



BI-COLOUR LED DETAIL
(RED/YELLOW AND GREEN/ORANGE LED'S ARE ALSO AVAILABLE)



DATA CONTROL RELEASE
DEPT. NO. --626--
DATE: APR29,2011



MATERIALS:
HOUSING: HIGH TEMPERATURE THERMOPLASTIC
FLAMMABILITY RATING UL 94V-0
COLOR: BLACK

CONTACTS: PHOSPHOR BRONZE
PLATING: 50 μ" [1.27 MICRONS]
MIN. GOLD ON MATING SURFACES.
50 μ" [1.27 MICRONS] MIN NICKEL UNDERPLATE.
GOLD FLASH ON CONTACT TAILS.

SHIELD: COPPER ALLOY
PLATING: NICKEL

PART NUMBER: RJCSE-538X-01X

REFER TO LED OPTIONS DRAWING

RECOMMENDED P.C.B. LAYOUT
(COMPONENT SIDE OF BOARD)

MATERIAL	DRAWN J.OUYANG	DATE MAR14/07
	DESIGNED	
FINISH	CHECKED CHIGOW.XU	DATE MAR14/07
	I. E. APPRD. YM.Lee	DATE MAR14/07
	Q. A. APPRD.	
	DWG. APPRD.	
	ENG. REL. NO. ECN E07065	DWG. DRAWING NO. P-RJCSE-538X-01X
	REF. EAR A070503	SCALE 2:1
	DIMENSIONS ARE IN INCHES [mm]	CODE ID. NO. 03554

Amphenol Canada Corp.

TITLE 1 PORT SURFACE MOUNT JACK
8 POSITION, 8 CONTACTS, SHIELD,
WITH LED OPTION- RoHS COMPLIANT

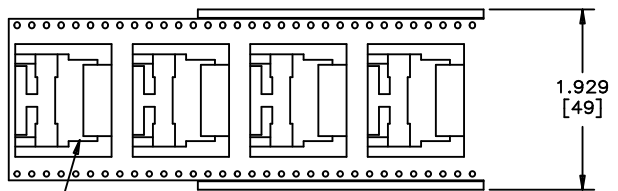
THIS DOCUMENT CONTAINS PROPRIETARY INFORMATION AND SUCH INFORMATION MAY NOT BE DISCLOSED TO OTHERS FOR ANY PURPOSE OR USED FOR MANUFACTURING PURPOSES WITHOUT WRITTEN PERMISSION FROM AMPHENOL CANADA CORP.

REV. C	WT. _____	SURF. _____	SHEET 1 OF 2
--------	-----------	-------------	--------------

← DIRECTION OF CONNECTOR LOADED INTO MACHINE.
LEADS FACING FRONT SIDE

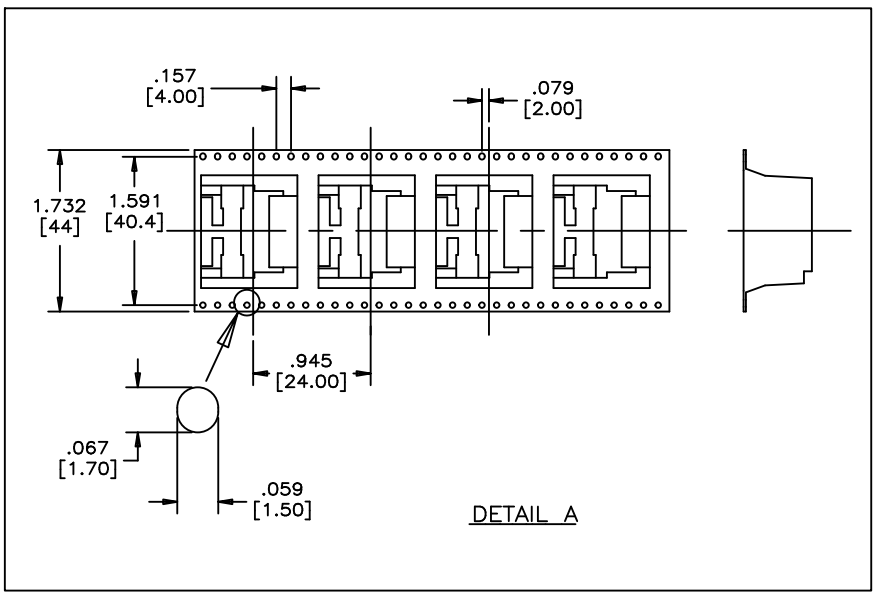
**DATA CONTROL
RELEASE**
DEPT. NO. --626--
DATE: APR29,2011

REVISIONS			
SYM	ECN, ERN NO.	DATE	APPRD.
A	PER ECN E07065	MAR14/07	L.CHAN
B	PER ECN E07131	MAY10/07	L.CHAN
C	SHIELD TAB PROFILE IMPROVED, CONTACT TAIL GOLD FLASH ADDED	APR29/11	A.GREEN

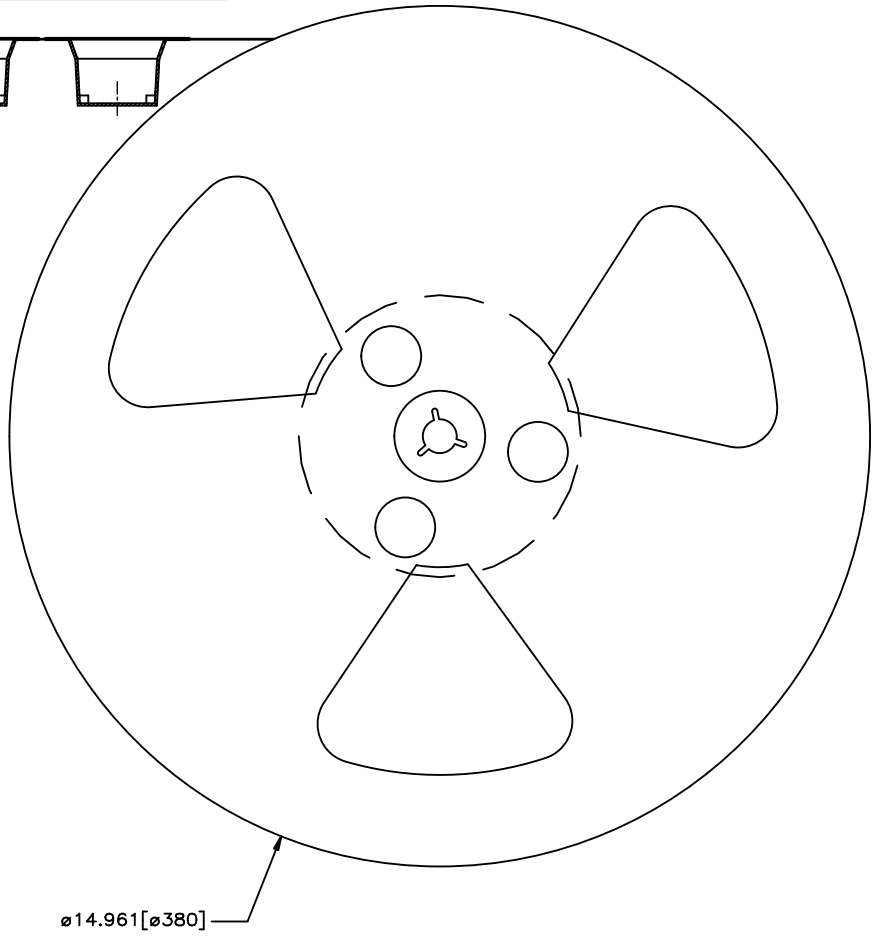


TOP VIEW
(COVER TAPE NOT SHOWN)

SEE DETAIL 'A'



DETAIL A



- PACKAGING NOTES:
1. ONE REEL SHOULD HOLD 200 CONNECTORS.
 2. 10 EMPTY CAVITIES FOR CARRIER TAPE LEADER & 10 EMPTY CAVITIES FOR CARRIER TAPE TRAILER.
 3. A FULLY LOADED CARTON SHOULD CONTAIN 6 REELS OF CONNECTORS.

THIS DOCUMENT CONTAINS PROPRIETARY INFORMATION AND SUCH INFORMATION MAY NOT BE DISCLOSED TO OTHERS FOR ANY PURPOSE OR USED FOR MANUFACTURING PURPOSES WITHOUT WRITTEN PERMISSION FROM AMPHENOL CANADA CORP.

DRAWN J.OUYANG	DATE MAR14/07	Amphenol Canada Corp.		
DESIGNED				
CHECKED CHIGOW.XU	DATE MAR14/07	TITLE 1 PORT SURFACE MOUNT JACK 8 POSITION, 8 CONTACTS, SHIELD, WITH LED OPTION- RoHS COMPLIANT		
I. E. APPRD. YM.Lee	DATE MAR14/07			
Q. A. APPRD. KENT.Y	DATE MAY10/07			
DWG. APPRD.		DWG. DRAWING NO.	P-RJCSE-538X-01X	REV. C
ENG. REL. NO. ECN E07065		REF. EAR A070503		
DIMENSIONS ARE IN INCH [mm]		CODE ID. NO. 03554	SCALE	WT. _____ SURF. _____ SHEET 2 OF 2