

SERIES 34A

Miniature Toggle Switches

FEATURES

- Save Space and Weight
- SPDT, DPDT, 3PDT, and 4DPT Circuitry
- Choice of Actuators, Bushings and Terminations
- UL Recognized



MODELS In inches (and millimeters)

SPDT

MODEL NO.	SWITCH POSITION		
SP1	ON	NONE	ON
SP2	ON	NONE	(ON)
SP3	ON	OFF	ON
SP4	(ON)	OFF	(ON)
SP5	ON	OFF	(ON)
TERM. COMM.	2-3	OPEN	2-1

()=MOMENTARY

SCHEMATIC



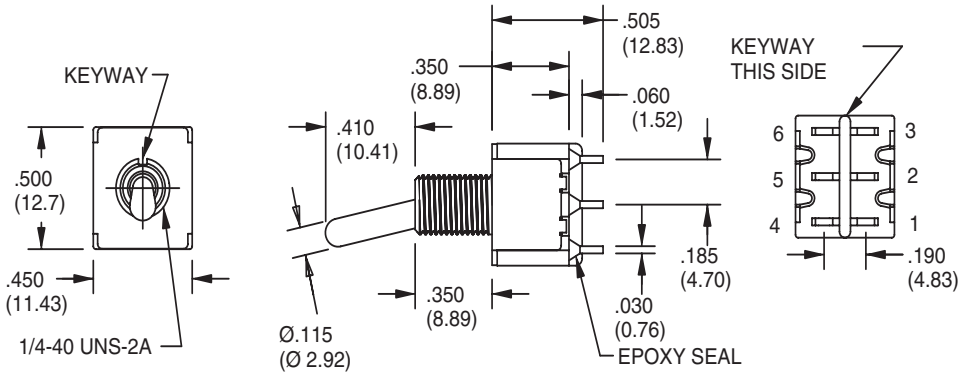
DPDT

MODEL NO.	SWITCH POSITION		
DP1	ON	NONE	ON
DP2	ON	NONE	(ON)
DP3	ON	OFF	ON
DP4	(ON)	OFF	(ON)
DP5	ON	OFF	(ON)
TERM. COMM.	2-3, 5-6	OPEN	2-1, 5-4

()=MOMENTARY

02COMM. 05COMM.

SCHEMATIC



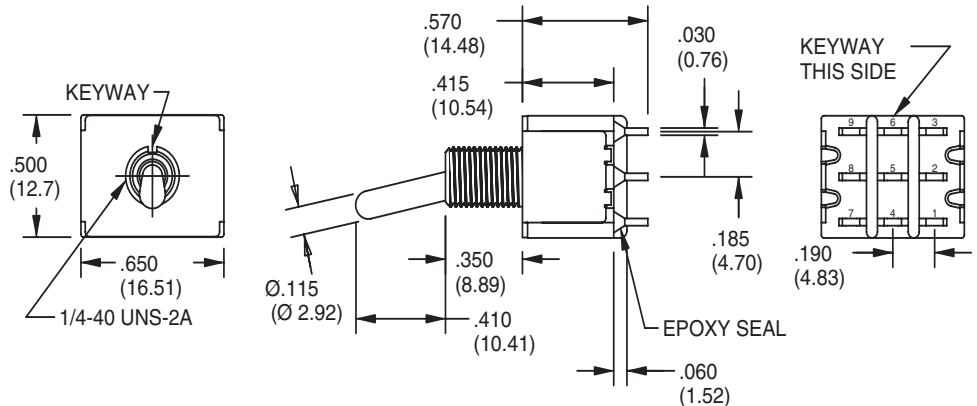
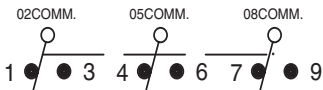
3PDT

MODEL NO.	SWITCH POSITION		
3P1	ON	NONE	ON
3P2	ON	NONE	(ON)
3P3	ON	OFF	ON
3P4	(ON)	OFF	(ON)
3P5	ON	OFF	(ON)
TERM. COMM.	2-3,5-6, 8-9	OPEN	2-1,5-4, 8-7

()=MOMENTARY

02COMM. 05COMM. 08COMM.

SCHEMATIC



MODELS In inches (and millimeters)

4PDT

MODEL NO.	SWITCH POSITION		
	ON	NONE	ON
4P1	ON	NONE	ON
4P2	ON	NONE	(ON)
4P3	ON	OFF	ON
4P4	(ON)	OFF	(ON)
4P5	ON	OFF	(ON)
TERM. COMM.	2-3,5-6 8-9,11-12	OPEN	2-1,5-4 8-7,11-10

()=MOMENTARY

SCALE:1.5:1

KEYWAY THIS SIDE

EPOXY SEAL

SCHEMATIC

ACTUATOR OPTIONS In inches (and millimeters)

<p>1 Std</p>	<p>2</p>	<p>3</p>	<p>4</p>	<p>5</p>
<p>6</p> <p>Use with Bushing Options T1, T2, T5 and T6 only.</p>	<p>7</p> <p>Use T7 Bushing Option only.</p>	<p>8</p> <p>Use T7 Bushing Option only.</p>	<p>9 Nylon Black</p>	<p>L THD. (STD.) N NON-THD</p>

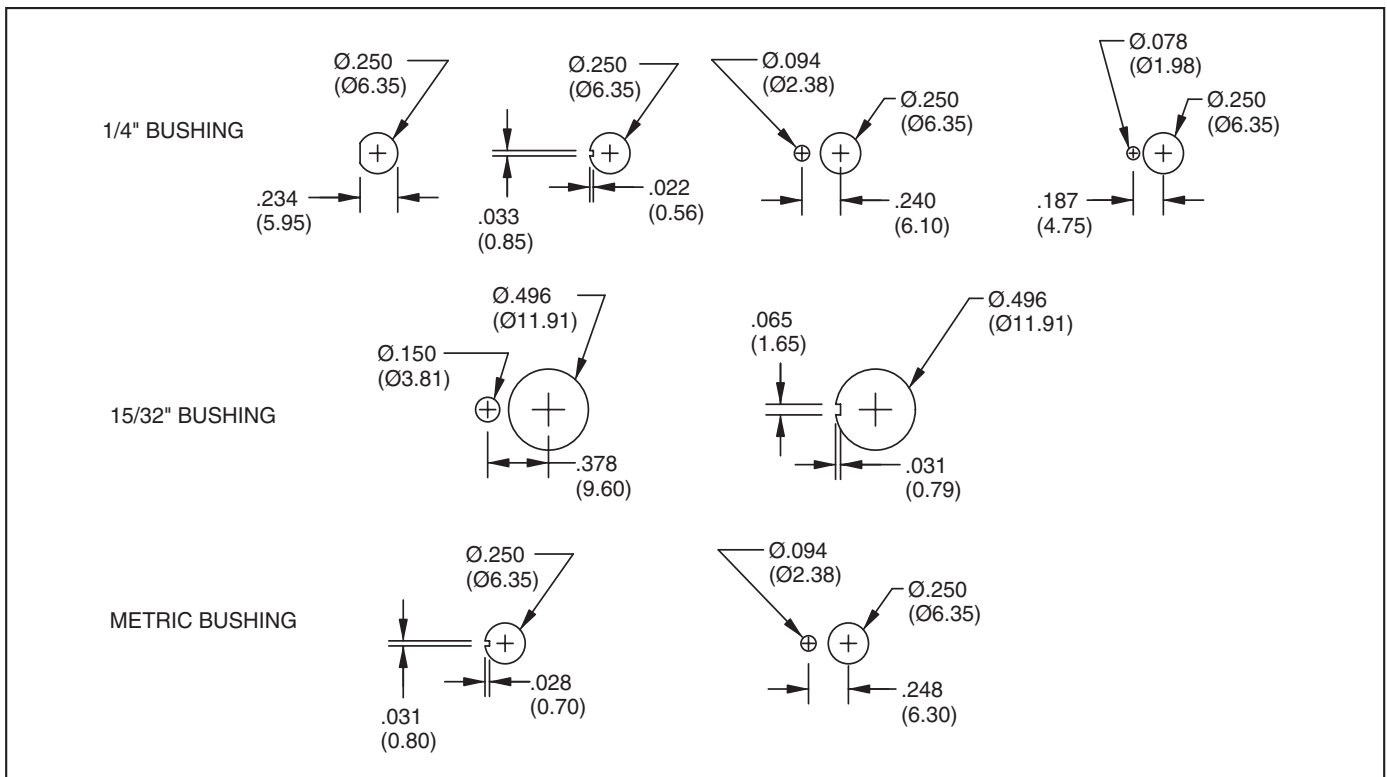
Actuators 1-5 shown with standard B1 bushing. Add .070 (1.78) for B3, subtract .020 (0.51) for B6 bushing.

BUSHING OPTIONS In inches (and millimeters)

<p>B1 Thd (Std) B2 Non-Thd</p>	<p>B3 Thd B4 Non-Thd</p>	<p>B5 High Torque</p>	<p>B6 High Torque</p>	
<p>B7 Long</p>	<p>B8 Metric</p>	<p>B9 Splash-Proof</p>		
<p>T1</p>	<p>T2</p>	<p>T5</p>	<p>T6</p>	<p>T7</p>

Toggle Switches

PANEL MOUNTING In inches (and millimeters)

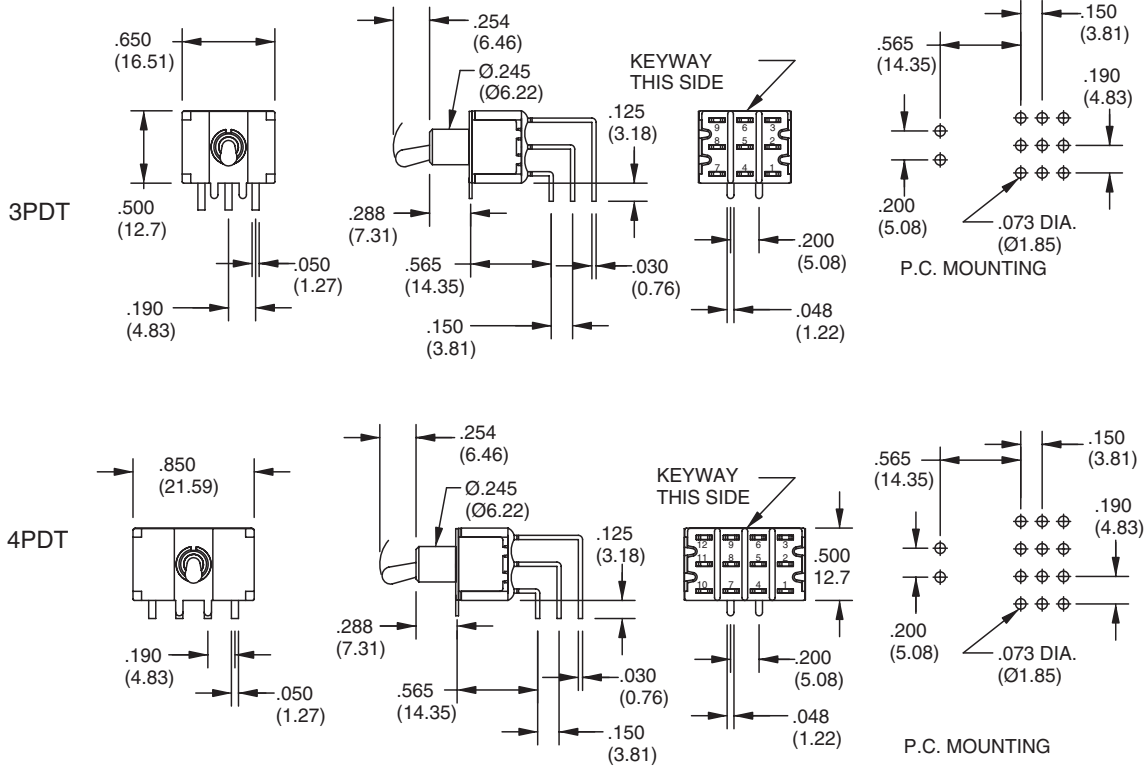


TERMINATION OPTIONS In inches (and millimeters)

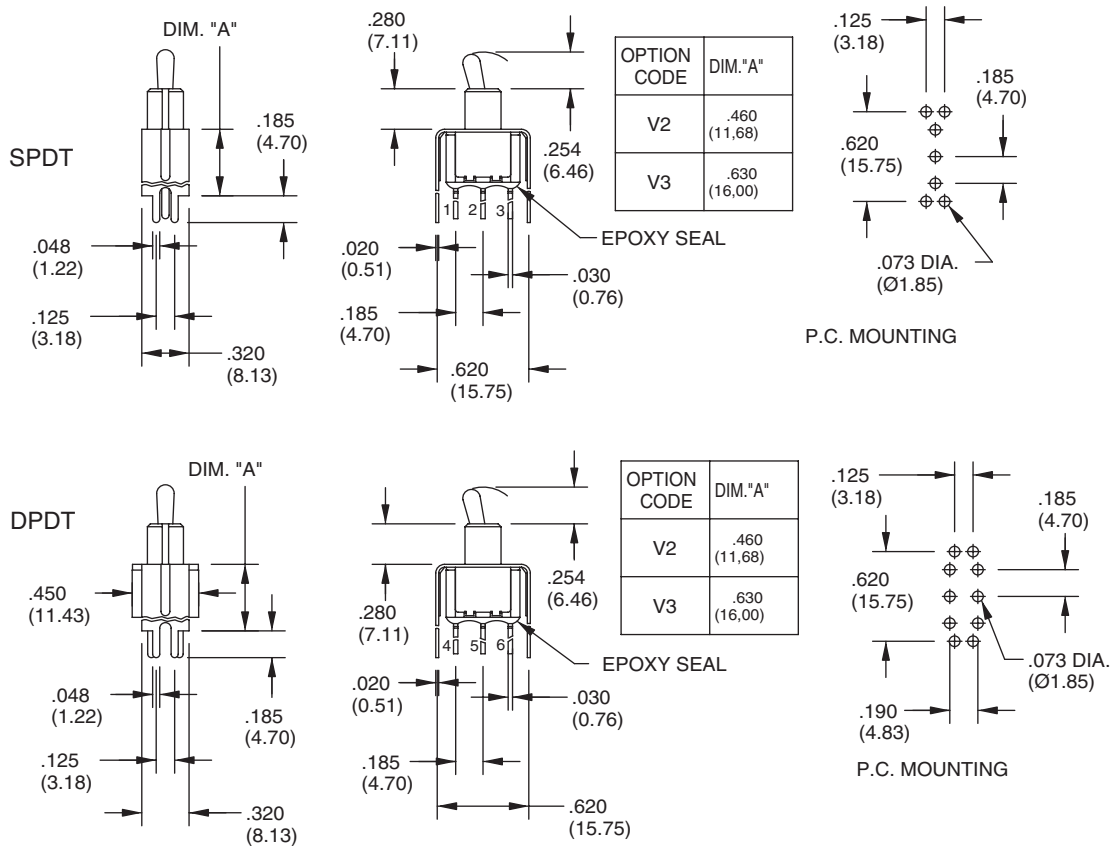
<p>M1 Solder Lug (Std)</p> <p>THK. .030 (0.76)</p>	<p>M2 P.C. Mount</p> <p>THK. .030 (0.76)</p>	<p>M3 P.C. Mount, Quick Connect</p> <p>.030 (0.76) THK.</p>	<p>WX</p> <table border="1"> <thead> <tr> <th>OPTION CODE</th> <th>DIM. "A"</th> </tr> </thead> <tbody> <tr> <td>W1</td> <td>.750 (19.05)</td> </tr> <tr> <td>W2</td> <td>.964 (24.46)</td> </tr> <tr> <td>W3</td> <td>.425 (10.80)</td> </tr> <tr> <td>W4</td> <td>1.062 (26.97)</td> </tr> </tbody> </table> <p>WIRE WRAP</p>	OPTION CODE	DIM. "A"	W1	.750 (19.05)	W2	.964 (24.46)	W3	.425 (10.80)	W4	1.062 (26.97)
OPTION CODE	DIM. "A"												
W1	.750 (19.05)												
W2	.964 (24.46)												
W3	.425 (10.80)												
W4	1.062 (26.97)												
<p>M6 Right Angle P.C. Mount, Horizontal Actuation</p> <p>SPDT</p> <p>DPDT</p> <p>KEYWAY THIS SIDE</p> <p>P.C. MOUNTING</p>													
<p>M7 Right Angle P.C. Mount, Vertical Actuation</p> <p>SPDT</p> <p>DPDT</p> <p>KEYWAY THIS SIDE</p> <p>P.C. MOUNTING</p>													

TERMINATION OPTIONS In inches (and millimeters)

M7 Right Angle P.C. Mount, Vertical Actuation



V2-V3 Vertical Bracket P.C. Mount



SPECIFICATIONS RATINGS

Contact Rating: Q option - 5A with resistive load @ 125VAC or 28 VDC; 2A with resistive load @ 250 VAC. R option-0.4 VA max @ 20 Vmax (AC or DC)
 Electrical Life: 40,000 make-and-break cycles at full load

Contact Resistance: 10 milliohms max. initial @ 2-4 VDC, 100 mA for both gold & silver contacts
 Insulation Resistance: 1,000 megaohms minimum
 Dielectric Strength: 1,000 V RMS @ sea level
 Operating Temperature: -30°C to 85°C
 UL Recognition: File number is E35289

MATERIALS

Case: Diallyl phthalate (DAP) (UL94V-0)
 Toggle Handle: Brass, chrome-plated
 Bushing: Brass, nickle-plated
 Housing: Stainless steel

ORDERING INFORMATION



Available from your local Grayhill Component Distributor. For prices and discounts, contact a local Sales Office, an authorized local Distributor or Grayhill.

HARDWARE In inches (and millimeters)

NUTS			
<p>Series 34A (Std)</p> <p>HDW2</p>	<p>Dress Nut</p> <p>HDW3</p>	<p>For Actuator Options 7, 8 (Std)</p> <p>HDW4</p>	<p>Knurled Nut (Sealed)</p> <p>HDW5</p>
LOCKING RINGS		LOCK WASHERS	
<p>Series 34A (Std)</p> <p>HDW15</p>	<p>For Actuator Options 7, 8</p> <p>HDW17</p>	<p>Series 34A (Std)</p> <p>HDW11</p>	<p>For Actuator Options 7, 8</p> <p>HDW12</p>