

**Unigen Corp. Wireless Module Products****Part Number Family:  
LETO-LPA WirelessUSB™ Radio Modules  
UGWJ4USHN33A Series  
Long Range Modules**

Issue Date: 31 December 2007

Revision: 1.30

**Revision History**

Rev. No.	History	Issue Date	Remarks
0.9	Final Draft	4 Feb 2007	Update Reference Documents, Functional Description
1.0	Prelim Release	12 Feb 2007	Preliminary Release, adds EVT test data
1.1	Formal Release	14 May 2007	Add Testing Result
1.2	Update	10 July 2007	Update sleep current and remove BB option
1.3	Update	31 Dec 2007	Update mechanical drawing with relative dimensions

THIS DOCUMENT IS PROVIDED "AS IS" WITH NO WARRANTIES WHATSOEVER, INCLUDING ANY WARRANTY OF MERCHANTABILITY, NON-INFRINGEMENT, FITNESS FOR ANY PARTICULAR PURPOSE, OR ANY WARRANTY OTHERWISE ARISING OUT OF ANY PROPOSAL, SPECIFICATION OR SAMPLE.

Unigen Corporation disclaims all liability, including liability for infringement of any proprietary rights, relating to use of information in this document. No license, expressed or implied, by estoppel or otherwise, to any intellectual property rights is granted herein.

\*Third-party brands, names, and trademarks are the property of their respective owners.

*Copyright © Unigen Corporation, 2006*

---

## TABLE OF CONTENTS:

Revision History	1
<b>REFERENCE DOCUMENTATION:</b>	<b>3</b>
<b>INTRODUCTION:</b>	<b>4</b>
<b>FEATURES:</b>	<b>5</b>
<b>DESCRIPTION:</b>	<b>5</b>
<b>FUNCTIONAL BLOCK DIAGRAMS:</b>	<b>6</b>
<b>PIN ASSIGNMENTS:</b>	<b>7</b>
Table - Pin Assignments	8
<b>PIN FUNCTIONS:</b>	<b>8</b>
<b>ABSOLUTE MAXIMUM RATINGS:</b>	<b>9</b>
<b>RECOMMENDED OPERATING CONDITIONS:</b>	<b>9</b>
<b>DC ELECTRICAL CHARACTERISTICS:</b>	<b>10</b>
Table – Electrical Characteristics	10
<b>RADIO PARAMETERS:</b>	<b>12</b>
<b>AGENCY CERTIFICATIONS (PRE-SCAN):</b>	<b>14</b>
Table – Regulatory Agency Certifications	14
<b>REGULATORY COMPLIANCE STATEMENT:</b>	<b>14</b>
<b>FUNCTIONAL OVERVIEW:</b>	<b>15</b>
<b>MECHANICAL CHARACTERISTICS:</b>	<b>45</b>
<b>MECHANICAL DRAWINGS:</b>	<b>45</b>
<b>ORDERING INFORMATION:*</b>	<b>46</b>
Typical Applications	46
<b>CONTACT INFORMATION:</b>	<b>47</b>

## REFERENCE DOCUMENTATION:

The Unigen LETO-LPA (UGWJ4USHN33A) WirelessUSB™ LP module adaptation of the Cypress Semiconductor CYRF6936 LP 2.4GHz DSSS Radio SOC is represented in this document. The detail provided is information for using LETO-LPA in a digital electronic device and is only a "companion" document to Cypress Semiconductors' CYWRF6936 documentation for the above noted part.

The CYRF6936 LP 2.4GHz DSSS Radio SOC 10-meter information and technical detail LP (ex. register settings, timing, application interfaces, clocking and power management, etc.) may be obtained from the Cypress Semiconductor web site or contacting Cypress's authorized sales representatives.

The following is a list of required documents and locations known at the time of publication that accompany this datasheet.

- The CYRF6936 LP 2.4GHz DSSS Radio SOC Datasheet – CYRF6936.pdf  
[http://download.cypress.com/publishedcontent/publish/design\\_resources/datasheets/contents/cyrf6936\\_8.pdf](http://download.cypress.com/publishedcontent/publish/design_resources/datasheets/contents/cyrf6936_8.pdf)

## INTRODUCTION:

Unigen LETO-LPA WirelessUSB™ LP 1000 meter range module represent the convergence of emerging wireless connectivity solutions and the USB "Plug-N-Play" ease of operation. WirelessUSB™, as created by Cypress Semiconductor, is a low-cost, 2.4GHz communication protocol designed for use in commercial, industrial, consumer, and computer product applications needing highly reliable data connectivity.

LETO-LPA module combine Cypress Semiconductor's wireless and USB expertise with Unigen's module design, manufacturing, and testing proficiency to create production ready, pre-certified modules that are easily integrated into existing, and new product designs.

LETO-LPA module offer immediate, drop-in design solutions and use the native Operating System HID drivers to seamlessly enumerate and operate mouse, keyboard, and gaming devices, or other devices using the HID specification for communication with the host systems.

## FEATURES:

- **Complete Transceiver Radio module: CYRF6936 LP 2.4GHz DSSS Radio SOC**, Tuned Matching RF Network, 10ppm crystal, complete PCBA including trace antenna and universal 12 position interface header
- **Operates in the 2.4 to 2.483GHz, unlicensed frequency range (ISM – Industrial, Scientific and Medical)**
- **Transmit power up to +23dBm**
- **Receive sensitivity up to -97dBm**
- **Transmission Range up to 1000 meters NLOS**
- **DSSS data rates up to 250 kbps, GFSK data rate of 1 Mbps**
- **Auto Transaction Sequencer (ATS) - no MCU intervention**
- **Framing, Length, CRC16, and Auto ACK**
- **Fast Startup and Fast Channel Changes**
- **Separate 16-byte Transmit and Receive FIFOs**
- **AutoRate™ - dynamic data rate reception**
- **Receive Signal Strength Indication (RSSI)**
- **Serial Peripheral Interface (SPI) control while in sleep mode**
- **4-MHz SPI microcontroller interface**
- **Operating voltage from 2.7V to 3.6V**
- **Sleep Current ~350 µA**
- **Operating current 115mA-320mA** Internal PA setting 5 (-5dBm) thru 7 (+4dBm)
- **Operating temperature from 0 to 70°C**
- **Small PCBA Design: 1.36" x 0.90" x 0.200"** (34.7mm x 23.0mm x 6.0 mm\*) \*board to board height
- **FCC Modular Approval Grant (MA):** FCC Part 15, EN 300328-1, EN 301 489-1, and Industry Canada RSS-210 standards
- **No additional regulatory RF test needed for listed countries**

## DESCRIPTION:

LETO-LPA WirelessUSB™ Modules are tightly integrated, low-cost, high-reliability 2.4GHz TX/RX communications modules for use with Human Interface Device (HID) class compliant products.

The LETO-LPA modules use the Cypress Semiconductor CYRF6936 LP 2.4GHz DSSS Radio SOC device and Skyworks SK65206-13 integrated RF front-end module.

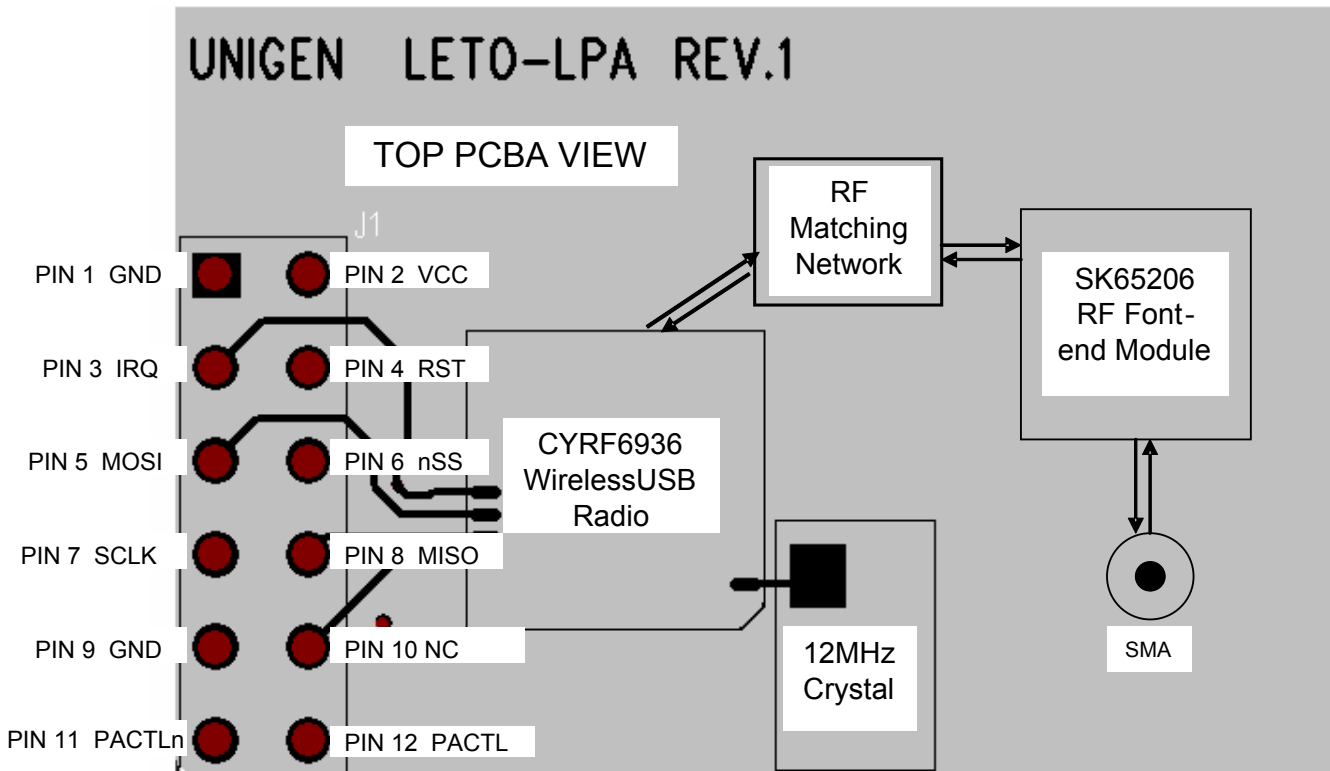
LETO-LPA modules are a complete radio solution requiring only integration into an existing, or new device.

LETO-LPA modules are 100% tested for functional operation and are pre-screened for FCC Part 15 compliance. The modules are supplied with an integrated antenna. For applications where the integrated antenna is unsuitable, model LP are available that support using an external coaxial antenna. Unigen recommends using a 2dBi gain dipole antennae for customers requiring an external antenna.

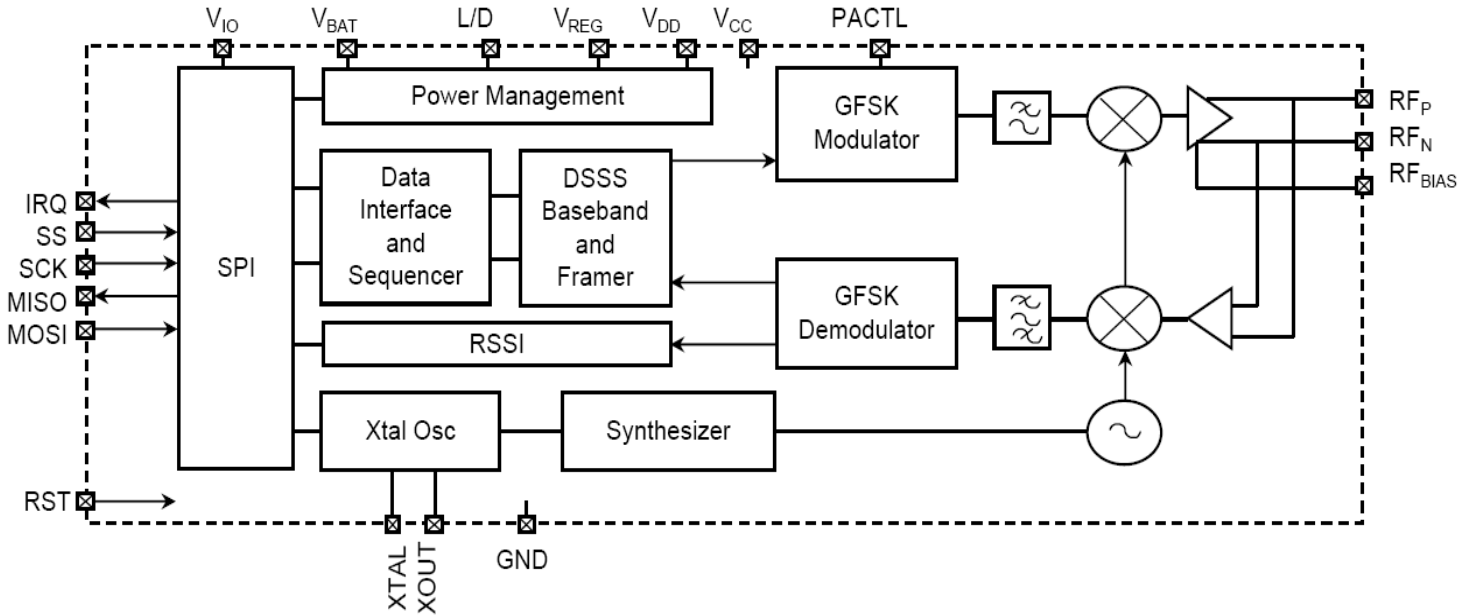
LETO-LPA modules are intended for use in computer and consumer product/device applications and use the OS native HID class drivers to enable compliant devices. In most applications, *no additional host drivers are required*. The modules are suitable for use in embedded and/or industrial applications as well.

The LETO-LPA is less than 1.4"sq and is available with a keyed shrouded header mounting directly to the matching receptacle on the PCB.

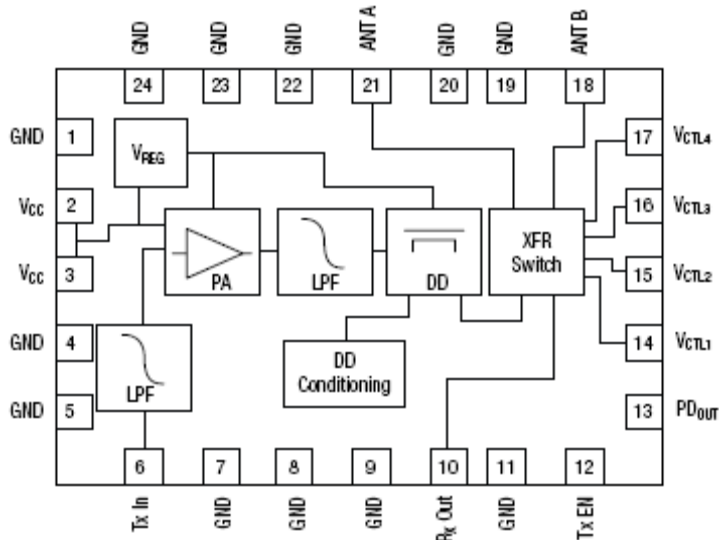
## Functional Block Diagrams:



## CYRF 6936 Simplified Block Diagram



## SK65206-13 Block Diagram



## PIN ASSIGNMENTS:

Function	UGWJ4US	I/O	Description
GND	1	-	Module Ground
Vcc	2	-	Module Input Power
IRQ	3	O	Interrupt Request
RSTn	4	I	Module Reset
MOSI	5	I	Receive command/address/data input from MCU
SSn	6	I	SPI Slave Select Enable
SCLK	7	I	SPI Input Clock
MISO	8	O	Transmit data output to MCU
GND	9	-	Module Ground
N/C	10		No Connect
PACTLn	11	O/Hi-Z	Invert Power Amplifier Control
PACTL	12	O/Hi-Z	Power Amplifier Control

Table - Pin Assignments

## PIN FUNCTIONS:

- MOSI:** SPI Input from MCU  
Receives commands/data from the device microcontroller.
- MISO:** SPI Output to MCU  
Transmits requests/data to the device microcontroller.
- SSn:** SPI Slave Select Enable Input  
SPI enable
- IRQ:** Interrupt Request  
The Interrupt Request Pin Select bits are used to determine the drive method of the IRQ pin
- GND:** Module Ground  
Ground to equal 0Vdc
- RSTn:** Module Reset  
Active HIGH reset switch
- SCLK:** SPI Input Clock
- PACTLn:** Invert Power Amplifier Control



- PACTL:** Power Amplifier Control  
Enables/disables external power amplification circuitry, where available
- Vcc:** Module Input Power  
Vcc range 2.4 to 3.6Vdc

## ABSOLUTE MAXIMUM RATINGS:

Symbol	Definition	Min.	Max.	Unit
VCC	Supply Voltage – Radio SOC	-0.3	3.9	VDC
Ts	Storage Temperature Range	-65	150	°C
TAP	Ambient Temperature with Power Applied	-55	125	°C
VLI	VDC to Logic Inputs	-0.3	VCC + 0.3	VDC
V O/Hi-Z	VDC to Outputs in High-Z state	-0.3	VCC + 0.3	VDC
SDVD	Static Discharge Voltage Digital		>2000	VDC
SDVR	Static Discharge Voltage RF		>1100	VDC
LUC	Latch-up Current	+200	-200	mA

These are stress ratings only. Exposure to stresses beyond these maximum ratings may cause permanent damage to, or affect the reliability of this module. Avoid using the module outside the recommended operating conditions defined below. This module is ESD sensitive and should be handled and/or used in accordance with proper ESD mitigation.

## RECOMMENDED OPERATING CONDITIONS:

Symbol	Description	Value			
		Min.	Typ.*	Max.	Unit
Vcc	Supply Voltage	2.4	3.0	3.6	VDC
Toc	Commercial Operating Temperature Range	0	25	70	°C
GND	Ground Voltage		0		VDC

## DC ELECTRICAL CHARACTERISTICS:

Symbol	Description	Condition(s)	Value			
			Min.	Typ.*	Max.	Unit
V <sub>CC</sub>	Supply Voltages		2.4	3.3	3.6	V
V <sub>OH1</sub>	Voltage Output High Condition 1	At I <sub>OH</sub> = -100.0μA	V <sub>CC</sub> - 0.2	V <sub>CC</sub>		V
V <sub>OH2</sub>	Voltage Output High Condition 2	At I <sub>OH</sub> = -2.0 mA	V <sub>CC</sub> - 0.4	V <sub>CC</sub>		V
V <sub>OL</sub>	Voltage Output Low	At I <sub>OL</sub> = 2.0 mA		0.0	0.45	V
V <sub>IH</sub>	Voltage Input High		0.7 V <sub>CC</sub>		V <sub>CC</sub>	V
V <sub>IL</sub>	Voltage Input Low		0		0.3 V <sub>CC</sub>	V
I <sub>IL</sub>	Input Leakage Current	0 < V <sub>IN</sub> < V <sub>CC</sub>	-1	0.26	+1	μA
I <sub>CC</sub> (GSFK)	Average TX I <sub>CC</sub> , 1Mbps, slow channel	PA=5, 2-way, 4-bytes/10 ms		0.87		mA
I <sub>CC</sub> (32-8DR)	Average TX I <sub>CC</sub> , 250kbps, fast channel	PA=5, 2-way, 4-bytes/10 ms		1.2		mA
I <sub>SB</sub>	Sleep Mode I <sub>CC</sub>	PMU disabled		350	400	μA
IDLE I <sub>CC</sub>	Radio off, XTAL Active	XOUT disabled		1.0		mA
I <sub>SYNTH</sub>	I <sub>CC</sub> During Synth Start			8.4		mA
TX I <sub>CC</sub>	TX I <sub>CC</sub> During Transmit (V <sub>CC</sub> 3.3VDC)	PA = 0 (-11 dBm)	110	115	118	mA
TX I <sub>CC</sub>	TX I <sub>CC</sub> During Transmit (V <sub>CC</sub> 3.3VDC)	PA = 1 (-6 dBm)	110	115	118	mA
TX I <sub>CC</sub>	TX I <sub>CC</sub> During Transmit (V <sub>CC</sub> 3.3VDC)	PA = 2 (-2 dBm)	110	115	118	mA
TX I <sub>CC</sub>	TX I <sub>CC</sub> During Transmit (V <sub>CC</sub> 3.3VDC)	PA = 3 (+3 dBm)	110	115	118	mA
TX I <sub>CC</sub>	TX I <sub>CC</sub> During Transmit (V <sub>CC</sub> 3.3VDC)	PA = 4 (+5 dBm)	115	120	122	mA
TX I <sub>CC</sub>	TX I <sub>CC</sub> During Transmit (V <sub>CC</sub> 3.3VDC)	PA = 5 (+13 dBm)	140	150	155	mA
TX I <sub>CC</sub>	TX I <sub>CC</sub> During Transmit (V <sub>CC</sub> 3.3VDC)	PA = 6 (+19 dBm)	215	220	225	mA
TX I <sub>CC</sub>	TX I <sub>CC</sub> During Transmit (V <sub>CC</sub> 3.3VDC)	PA = 7 (+23 dBm)	310	320	325	mA
RX I <sub>CC</sub>	RX I <sub>CC</sub> During Receive (V <sub>CC</sub> 3.3VDC)	LNA off, ATT on	18.2	20.0	23.5	mA
RX I <sub>CC</sub>	RX I <sub>CC</sub> During Receive (V <sub>CC</sub> 3.3VDC)	LNA on, ATT off	18.2	20.0	23.5	mA
MTBF		Calculated			>87,600	Hours

### Table – Electrical Characteristics

\* = Measured with 3.3V<sub>CC</sub> at 25°C

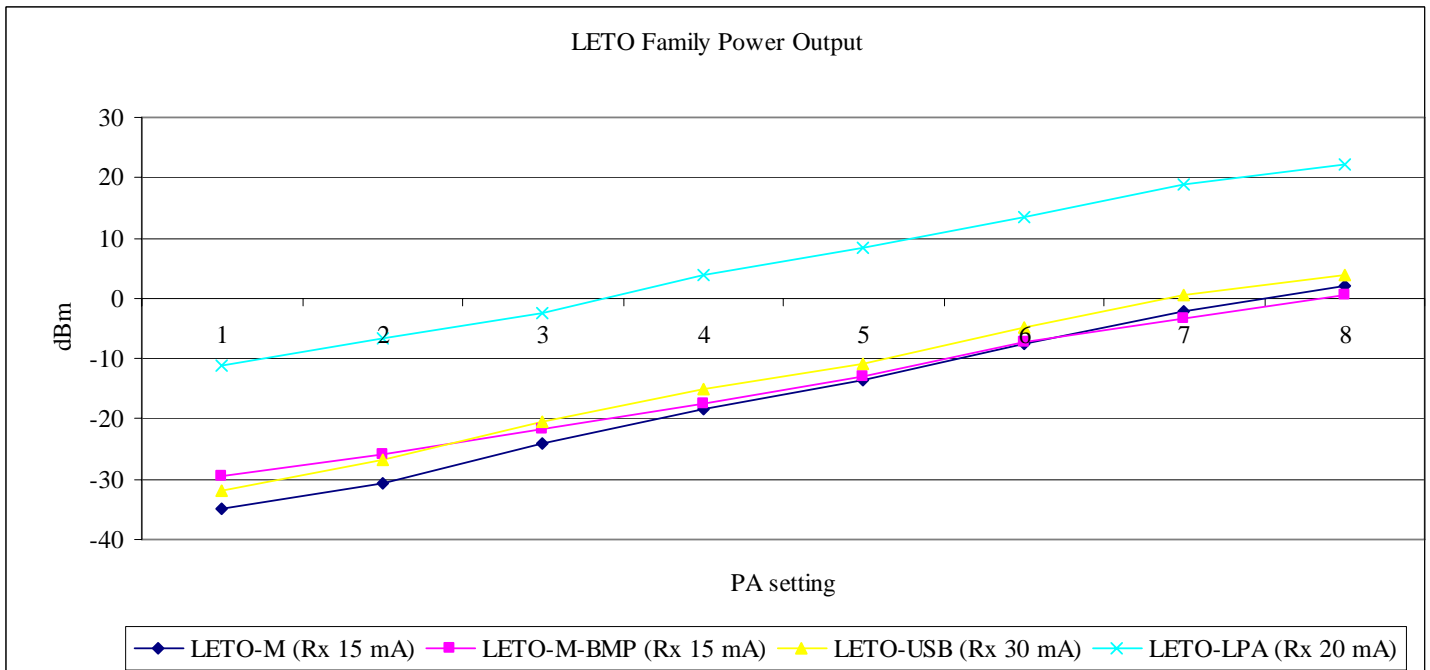
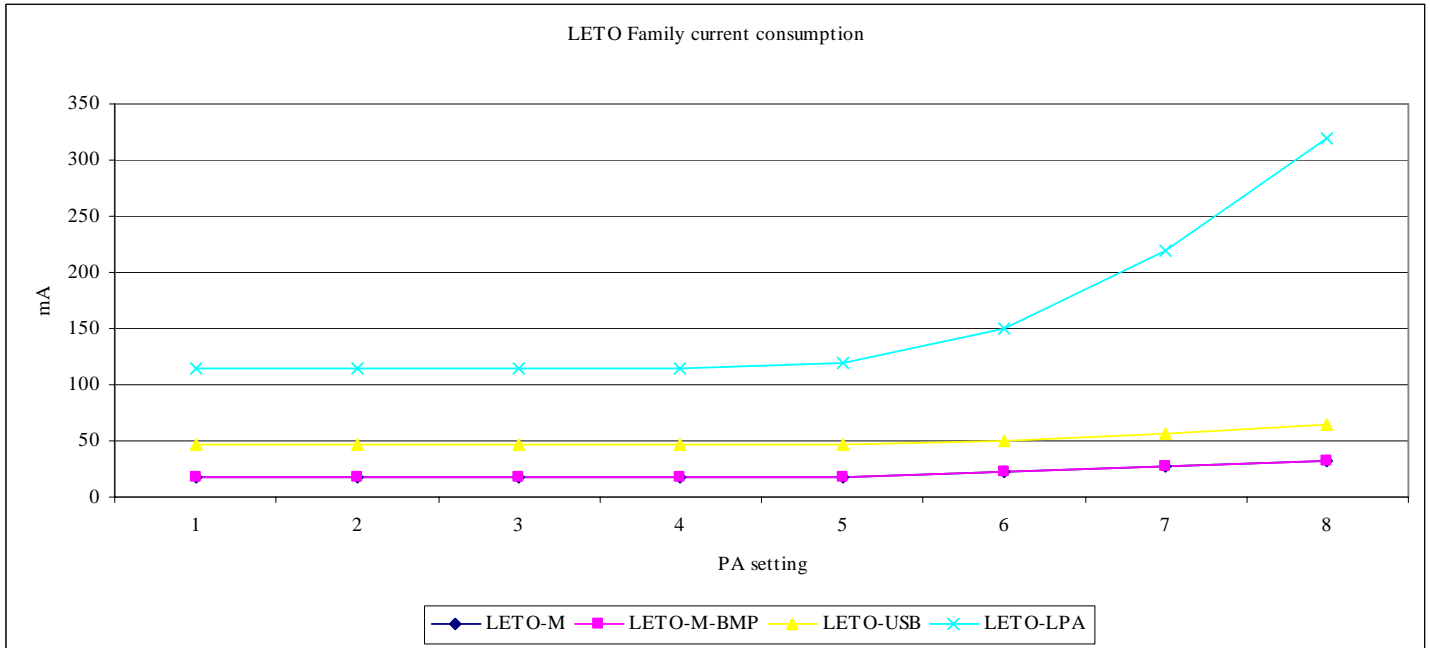
<sup>1</sup> = Mean I<sub>CC</sub> when transmitting a 5-byte packet (3 data bytes + 2 bytes of protocol) every 10ms using the Wireless USB LP 1-way protocol.

<sup>2</sup> = Mean I<sub>CC</sub> when transmitting a 5-byte packet (3 data bytes + 2 bytes of protocol) every 10ms using the Wireless USB LP 2-way protocol.

#### Notes

5. It is permissible to connect voltages above V<sub>IO</sub> to inputs through a series resistor limiting input current to 1 mA. AC timing not guaranteed.
6. Human Body Model (HBM).
7. V<sub>REG</sub> depends on battery input voltage.
8. In sleep mode, the I/O interface voltage reference is V<sub>BAT</sub>.
9. In sleep mode, V<sub>CC</sub> min. can go as low as 1.8v
10. Includes current drawn while starting crystal, starting synthesizer, transmitting packet (including SOP and CRC16), changing to receive mode, and receiving ACK handshake. Device is in sleep except during this transaction.
11. ISB is not guaranteed if any I/O pin is connected to voltages higher than V<sub>IO</sub>.

## CURRENT & OUTPUT CHARACTERISTICS:





# WirelessUSB™ - UGWJ4US

Solutions for a Real Time World

Data Sheet

## RADIO PARAMETERS:

Parameter Description	Condition	Min.	Typ.	Max	Unit
RF Frequency Range		2.400	ISM	2.497	GHz
<b>Radio Receiver</b> (T = 25°C, V <sub>CC</sub> = 3.3V, f <sub>osc</sub> = 12.000000MHz, BER ≤ 10 <sup>-3</sup> )					
Sensitivity 125kbps 64-8DR	BER 1E-3		-97		dBm
Sensitivity 250kbps 32-8DR	BER 1E-3		-93		dBm
Sensitivity	CER 1E-3	-80	-87		dBm
Sensitivity GFSK	BER 1E-3, ALL SLOW = 1		-84		dBm
LNA Gain	LNA On		22.8		dB
ATT Gain	ATT On		-31.7		dB
Maximum Received Signal	LNA On	-15	-6		dBm
RSSI Value for PWR <sub>in</sub> > -60dBm	LNA On		21		Count
RSSI Slope			1.9		dB/Count
<b>Interference Performance</b> (CER 1E-3)					
Co-channel Interference rejection Carrier-to-Interference (C/I)	C = -60 dBm		9		dB
Adjacent (±1 MHz) channel selectivity C/I 1 MHz	C = -60 dBm		3		dB
Adjacent (±2 MHz) channel selectivity C/I 2 MHz	C = -60 dBm		-30		dB
Adjacent (≥ 3 MHz) channel selectivity C/I > 3 MHz	C = -67 dBm		-38		dB
<b>Out-of-band Blocking Interference Signal Frequency</b>					
30MHz – 12.75GHz	C = -67 dBm		-30		dBm
Intermodulation	C = -64 dBm, Δf = 5, 10MHz		-36		dBm
<b>Receive Spurious Emission</b>					
800 MHz	100 kHz ResBW		-79		dBm
1.6 GHz	100 kHz ResBW		-71		dBm
3.2 GHz	100 kHz ResBW		-65		dBm
<b>Radio Transmitter</b> (T = 25°C, V <sub>CC</sub> = 3.3V)					
Maximum RF Transmit Power	PA = 7	+22	+23	+24	dBm
Maximum RF Transmit Power	PA = 6	+17	+19	+20	dBm
Maximum RF Transmit Power	PA = 5	+11	+13	+14	dBm
Maximum RF Transmit Power	PA = 4	+4	+5	+6	dBm
Maximum RF Transmit Power	PA = 3	+1	+2	+3	dBm
Maximum RF Transmit Power	PA = 2	-5	-3	-2	dBm
Maximum RF Transmit Power	PA = 1	-8	-6	-7	dBm
Maximum RF Transmit Power	PA = 0	-13	-11	-10	dBm
RF Power Control Range			39		dB
RF Power Range Control Step Size	Seven steps, monotonic		5.6		dB
Frequency Deviation Min	PN Code Pattern 10101010		270		kHz
Frequency Deviation Max	PN Code Pattern 11110000		323		kHz
Error Vector Magnitude (FSK Error)	>0 dBm		10%		dB
Zero Crossing Error			±125		ns
Occupied Bandwidth	100 kHz ResBW, -6dBc	500	876		kHz
Initial Frequency Offset			±75		kHz
<b>Transmission In-Band Spurious</b> (PA = 7)					
Second Channel Power (±2 MHz)			-38		dBm
≥ Third Channel Power (≥3 MHz)			-44		dBm
<b>Non-Harmonically Related Spurs</b> (PA = 7)					
800 MHz			-38		dBm
1.6 GHz			-34		dBm
3.2 GHz			-47		dBm
<b>Harmonic Spurs</b> (PA = 7)					
Second Harmonic	4.8 GHz		-43		dBm
Third Harmonic	7.2 GHz		-48		dBm
Fourth and Greater Harmonics	>9 GHz		-59		dBm
<b>Power Management</b>					
Crystal Start to 10 ppm			0.7	1.3	ms
Crystal Start to IRQ	XSIRQ EN=1		0.6		ms



# WirelessUSB™ - UGWJ4US

Solutions for a Real Time World

Data Sheet

Synth Settle	Slow channels			270	μs
Synth Settle	Medium channels			180	μs
Synth Settle	Fast channels			100	μs
Link turn-around time	GFSK			30	μs
Link turn-around time	250 kbps			62	μs
Link turn-around time	125kbps			94	μs
Link turn-around time	<125kbps			31	μs
Maximum Packet Length	All modes except 64 DDR			40	bytes
Maximum Packet Length	64 DDR			16	bytes

## AGENCY CERTIFICATIONS (PRE-SCAN):

Agency	Test Performed	Type	Limit	Result	Margin
EU	Radiated Spurious Emissions	30-12.75MHz Transmit Mode	EN 300 328	PASS	-4.6dB @ 4804MHz
		30-12.75MHz Transmit Mode	EN 300 328	PASS	-4.9 @ 177.01MHz
FCC 15.247	Radiated Emissions	30 25,000 Spurious Emissions	FCC Part 15.209/15.247 (c)	PASS	Results on File
		6dB Bandwidth	15.247(a)	PASS	960kHz
		99% Bandwidth	IC RSS-210	PASS	1.175MHz
		Output Power	15.247(b)	PASS	7.2dBm
		Power Spectral Density (PSD)	15.247(d)	PASS	3.06dBm
		Bandedge	FCC Part 15.209 /15.247( c)	PASS	Results on File
		Out of band	15.247( c)	PASS	Results on File
EU	Radio Performance Test	Output Power, Power spectral density at normal conditions	EN 300 328-1	PASS	Results on File
		Frequency Range at normal conditions	EN 300 328-1	PASS	Results on File
		Output Power over extreme conditions	EN 300 328-1	TBT	
		Frequency Range over extreme conditions	EN 300 328-1	TBT	
		Conducted spurious emissions, 30MHz - 12750MHz, transmit mode	EN 300 328-1	PASS	Results on File
		Conducted spurious emissions, 30MHz - 12750MHz, receive/stand-by mode	EN 300 328-1	PASS	Results on File
	Radiated Spurious Emissions	30 - 12,750 MHz -Spurious Emissions Transmit Mode	EN 300 328 V1.2.1	PASS	Results on File
		30 - 12,750 MHz -Spurious Emissions Receive Mode	EN 300 328 V1.2.1	PASS	Results on File

Table – Regulatory Agency Certifications

## REGULATORY COMPLIANCE STATEMENT:

The module has been pre-scanned against the relevant requirements of standards: EN 300 328, EN 301 489-17, FCC part 15 and Industry Canada RSS-210. The module is certified by the regulatory authorities in the USA and Canada and complies with the applicable essential requirements of the Radio & Telecommunication Terminal Equipment (R&TTE) directive in the EU. The module can thus be incorporated into products sold worldwide with little or no additional testing of the module itself. ***The end product must meet the appropriate technical requirements that apply to that product type but re-certification of the radio module is not required in the USA and Canada.***

In the EU, the integrator is responsible for evaluating their product type per the essential performance requirements of the R&TTE directive (except those associated with the module), declaring compliance and then notifying the member states prior to marketing the product (because the module uses a frequency band that is not harmonized in the EU). It is the responsibility of the module integrator to obtain the necessary approval to sell products incorporating this module in other countries outside of North America and the EU. The report of measurements performed on the module in compliance with the FCC rules and EN standards can be used in these submittal (as the requirements in many other markets around the world are based in part or in whole on the standards prevalent in North America and the EU).

## FUNCTIONAL OVERVIEW:

The CYRF6936 IC provides a complete WirelessUSB SPI to antenna wireless MODEM. The SoC is designed to implement wireless device links operating in the worldwide 2.4-GHz ISM frequency band. It is intended for systems compliant with world-wide regulations covered by ETSI EN 301 489-1 V1.41, ETSI EN 300 328-1 V1.3.1 (Europe), FCC CFR 47 Part 15 (USA and Industry Canada) and TELEC ARIB\_T66\_March, 2003 (Japan). The SoC contains a 2.4-GHz 1-Mbps GFSK radio transceiver, packet data buffering, packet framer, DSSS baseband controller, Received Signal Strength Indication (RSSI), and SPI interface for data transfer and device configuration. The radio supports 98 discrete 1-MHz channels (regulations may limit the use of some of these channels in certain jurisdictions). The baseband performs DSSS spreading/despreading, Start of Packet (SOP), End of Packet (EOP) detection and CRC16 generation and checking. The baseband may also be configured to automatically transmit Acknowledge (ACK) handshake packets whenever a valid packet is received. When in receive mode, with packet framing enabled, the device is always ready to receive data transmitted at any of the supported bit rates enabling the implementation of mixed-rate systems in which different devices use different data rates. This also enables the implementation of dynamic data rate systems, which use high data rates at shorter distances and/or in a low-moderate interference environment, and change to lower data rates at longer distances and/or in high interference environments. The SKY65206-13 is an integrated RF front end module for 802.11b/g WLAN applications. A single supply voltage and a positive supply switch control simplify bias requirements. The PA is manufactured using the Skyworks InGaP HBT process.

### Data Transmission Modes

The SoC supports four different data transmission modes:

- In GFSK mode, data is transmitted at 1 Mbps, without any DSSS.
- In 8DR mode, 8 bits are encoded in each derived code symbol transmitted.
- In DDR mode, 2-bits are encoded in each derived code symbol transmitted. (As in the CYWUSB6936 DDR mode).
- In SDR mode, 1 bit is encoded in each derived code symbol transmitted. (As in the CYWUSB6936 standard modes.)

Both 64-chip and 32-chip Pseudo-Noise (PN) Codes are supported. The four data transmission modes apply to the data after the SOP. In particular the length, data, and CRC16 are all sent in the same mode. In general, lower data rates reduce packet error rate in any given environment.

### Link Layer Modes

The CYRF6936 IC device supports the following data packet framing features:

**SOP** – Packets begin with a 2-symbol Start of Packet (SOP) marker. This is required in GFSK and 8DR modes, but is optional in DDR mode and is not supported in SDR mode; if framing is disabled then an SOP event is inferred whenever two successive correlations are detected. The SOP\_CODE\_ADR code used for the SOP is different from that used for the “body” of the packet and if desired may be a different length. SOP must be configured to be the same length on both sides of the link.

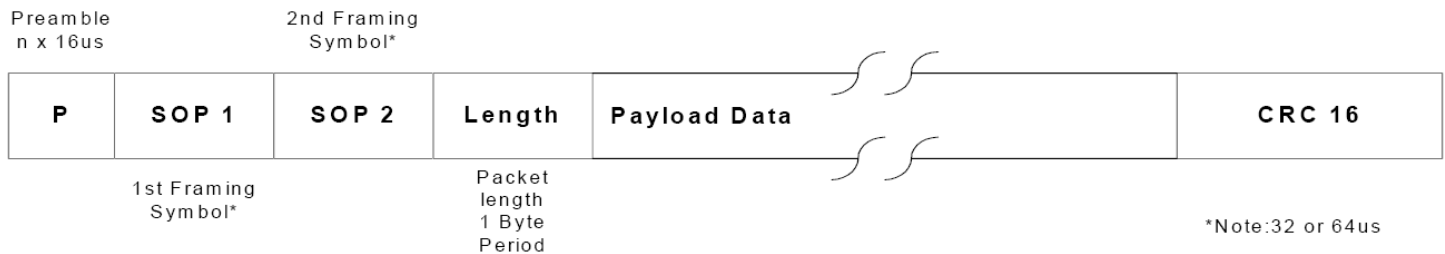
**Length** – There are two options for detecting the end of a packet. If SOP is enabled, then the length field should be enabled. GFSK and 8DR must enable the length field. This is the first 8-bits after the SOP symbol, and is transmitted at the payload data rate. When the length field is enabled, an End of Packet (EOP) condition is inferred after reception of the number of bytes defined in the length field, plus two bytes for the CRC16 (when enabled—see below). The alternative to using the length field is to infer an EOP condition from a configurable number of successive non-correlations; this option is not available in GFSK mode and is only recommended to enable when using SDR mode.

**CRC16** – The device may be configured to append a 16-bit CRC16 to each packet. The CRC16 uses the USB CRC polynomial with the added programmability of the seed. If enabled, the receiver will verify the calculated CRC16 for the payload data against the received value in the CRC16 field. The seed value for the CRC16 calculation is configurable, and the CRC16 transmitted may be calculated using either the loaded seed value or a zero seed; the received data CRC16 will be checked against both the configured and zero CRC16 seeds. CRC16 detects the following errors:

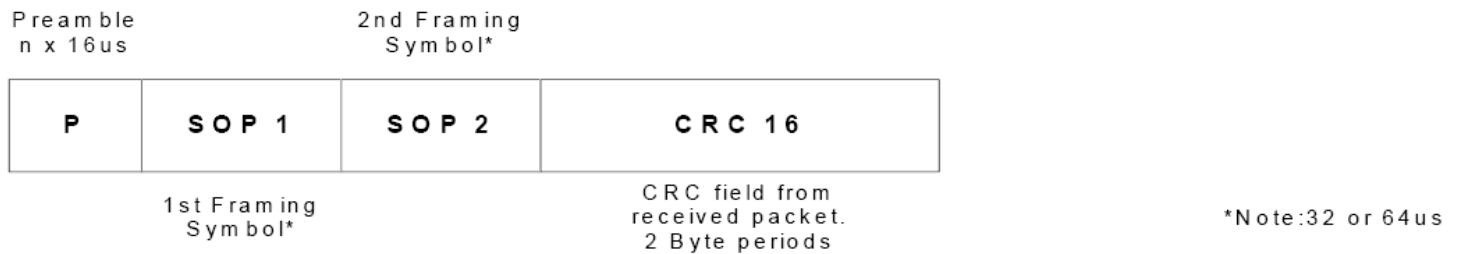
- Any one bit in error
- Any two bits in error (no matter how far apart, which column, and so on)
- Any odd number of bits in error (no matter where they are)
- An error burst as wide as the checksum itself

Figure 6-1 shows an example packet with SOP, CRC16 and lengths fields enabled, and Figure 6-2 shows a standard ACK packet.

**Figure 6-1. Example Packet Format**



**Figure 6-2. Example ACK Packet Format**



### Packet Buffers

All data transmission and reception utilizes the 16-byte packet buffers—one for transmission and one for reception. The transmit buffer allows a complete packet of up to 16-bytes of payload data to be loaded in one burst SPI transaction, and then transmitted with no further MCU intervention. Similarly, the receive buffer allows an entire packet of payload data up to 16 bytes to be received with no firmware intervention required until packet reception is complete. The CYRF6936 IC supports packets up to 255 bytes, however, actual maximum packet length will depend on accuracy of the clock on each end of the link and the data mode; interrupts are provided to allow an MCU to use the transmit and receive buffers as FIFOs. When transmitting a packet longer than 16 bytes, the MCU can load 16-bytes initially, and add further bytes to the transmit buffer as transmission of data creates space in the buffer. Similarly, when receiving packets longer than 16 bytes, the MCU must fetch received data from the FIFO periodically during packet reception to prevent it from overflowing.

### Auto Transaction Sequencer (ATS)

The CYRF6936 IC provides automated support for transmission and reception of acknowledged data packets. When transmitting in transaction mode, the device automatically:

- starts the crystal and synthesizer
  - enters transmit mode
  - transmits the packet in the transmit buffer
  - transitions to receive mode and waits for an ACK packet
  - transitions to the transaction end state when either an ACK packet is received, or a timeout period expires
- Similarly, when receiving in transaction mode, the device automatically:
- waits in receive mode for a valid packet to be received



- transitions to transmit mode, transmits an ACK packet
- transitions to the transaction end state (receive mode to await the next packet, etc.) The contents of the packet buffers are not affected by the transmission or reception of ACK packets. In each case, the entire packet transaction takes place without any need for MCU firmware action (providing packets of 16 bytes or less are used); to transmit data the MCU simply needs to load the data packet to be transmitted, set the length, and set the TX GO bit. Similarly, when receiving packets in transaction mode, firmware simply needs to retrieve the fully received packet in response to an interrupt request indicating reception of a packet.

### Backward Compatibility

The CYRF6936 IC is fully interoperable with the main modes of the first generation devices. The 62.5-kbps mode is supported by selecting 32-chip DDR mode. Similarly, the 15.675-kbps mode is supported by selecting 64-chip SDR mode. In this way, a suitably configured CYRF6936 IC device may transmit data to and/or receive data from a first generation device. Disabling the SOP, length, and CRC16 fields is required for backwards compatibility.

### Data Rates

By combining the PN code lengths and data transmission modes described above, the CYRF6936 IC supports the following data rates:

- 1000-kbps (GFSK)
- 250-kbps (32-chip 8DR)
- 125-kbps (64-chip 8DR)
- 62.5-kbps (32-chip DDR)
- 31.25-kbps (64-chip DDR)
- 15.625-kbps (64-chip SDR)

## Functional Block Overview

### 2.4-GHz Radio

The radio transceiver is a dual conversion low IF architecture optimized for power and range/robustness. The radio employs channel-matched filters to achieve high performance in the presence of interference. An integrated Power Amplifier (PA) provides up to +4 dBm transmit power, with an output power control range of 34 dB in 7 steps. The supply current of the device is reduced as the RF output power is reduced.

### Internal PA Output Power Step Table

PA Setting	Typical Output Power (dBm)
7	+23
6	+19
5	+13
4	+5
3	+2
2	-3
1	-6
0	-11

## Typical Range Observed Table

Environment	Typical Range (meters)
LOS	1000
NLOS	500
Home/Office	200
Note: Range observed PA=7, Fremont, CA	

## Frequency Synthesizer

Before transmission or reception may commence, it is necessary for the frequency synthesizer to settle. The settling time varies depending on channel; 25 fast channels are provided with a maximum settling time of 100- $\mu$ s. The "fast channels" (<100- $\mu$ s settling time) are every 3<sup>rd</sup> channel, starting at 0 up to and including 72 (i.e., 0,3,6,9.....69 & 72).

## Baseband and Framer

The baseband and framer blocks provide the DSSS encoding and decoding, SOP generation and reception and CRC16 generation and checking, as well as EOP detection and length field.

## Packet Buffers and Radio Configuration Registers

Packet data and configuration registers are accessed through the SPI interface. All configuration registers are directly addressed through the address field in the SPI packet (as in the CYWUSB6934). Configuration registers are provided to allow configuration of DSSS PN codes, data rate, operating mode, interrupt masks, interrupt status, etc.

## SPI Interface

The CYRF6936 IC has a SPI interface supporting communications between an application MCU and one or more slave devices (including the CYRF6936). The SPI interface supports single-byte and multi-byte serial transfers using either 4-pin or 3-pin interfacing. The SPI communications interface consists of Slave Select (SS), Serial Clock (SCK), and Master Out-Slave In (MOSI), Master In-Slave Out (MISO), or Serial Data (SDAT). The SPI communications is as follows:

- Command Direction (bit 7) = "1" enables SPI write transaction. A "0" enables SPI read transactions.
- Command Increment (bit 6) = "1" enables SPI auto address increment. When set, the address field automatically increments at the end of each data byte in a burst access, otherwise the same address is accessed.
- Six bits of address.
- Eight bits of data.

The device receives SCK from an application MCU on the SCK pin. Data from the application MCU is shifted in on the MOSI pin. Data to the application MCU is shifted out on the MISO pin. The active-low Slave Select (SS) pin must be asserted to initiate an SPI transfer.

The application MCU can initiate SPI data transfers via a multibyte transaction. The first byte is the Command/Address byte, and the following bytes are the data bytes as shown in *Figure 7-1* through *Figure 7-4*.

The SPI communications interface has a burst mechanism, where the first byte can be followed by as many data bytes as desired. A burst transaction is terminated by deasserting the slave select (SS = 1).

The SPI communications interface single read and burst read sequences are shown in *Figure 7-2* and *Figure 7-3*, respectively.

The SPI communications interface single write and burst write sequences are shown in *Figure 7-4* and *Figure 7-5*, respectively.

This interface may optionally be operated in a 3-pin mode with the MISO and MOSI functions combined in a single bidirectional data pin (SDAT). When using 3-pin mode, user firmware should ensure that the MOSI pin on the MCU is in a high impedance state except when MOSI is actively transmitting data.

The device registers may be written to or read from 1 byte at a time, or several sequential register locations may be written/read in a single SPI transaction using incrementing burst mode. In addition to single byte configuration registers, the device includes register files; register files are FIFOs written to and read from using non-incrementing burst SPI transactions.

The IRQ pin function may optionally be multiplexed onto the MOSI pin; when this option is enabled the IRQ function is not available while the SS pin is low. When using this configuration, user firmware should ensure that the MOSI pin on the MCU is in a high impedance state whenever the SS pin is high.

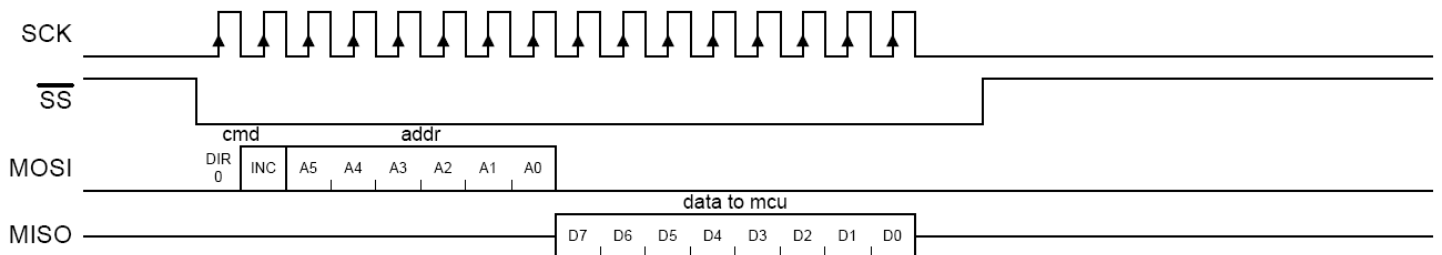
The SPI interface is not dependent on the internal 12-MHz clock, and registers may therefore be read from or written to while the device is in sleep mode, and the 12-MHz oscillator disabled.

The SPI interface and the IRQ and RST pins have a separate voltage reference pin (VIO), enabling the device to interface directly to MCUs operating at voltages below the CYRF6936 IC supply voltage.

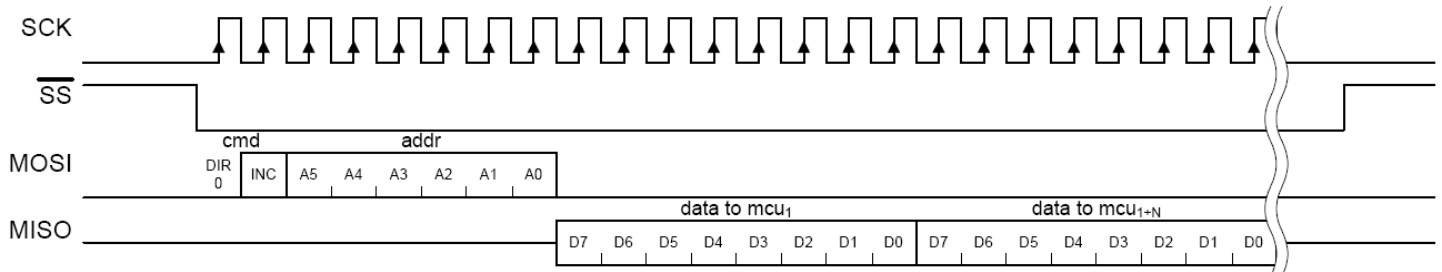
**Figure - SPI Transaction Format**

	Byte 1			Byte 1+N
Bit #	7	6	[5:0]	[7:0]
Bit Name	DIR	INC	Address	Data

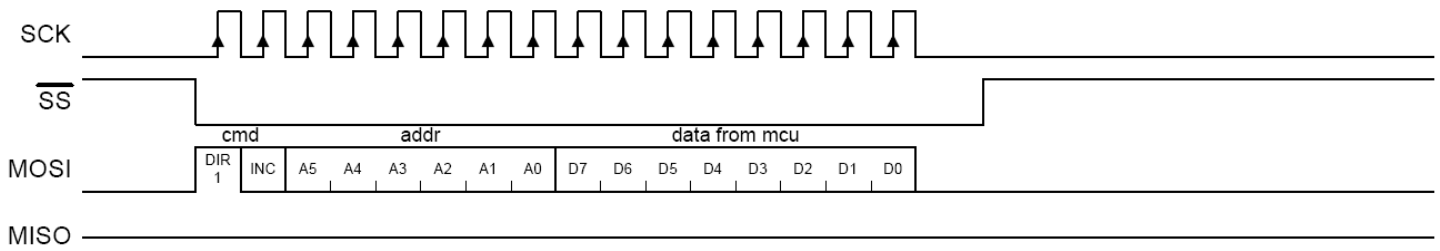
**Figure - SPI Single Read Sequence**



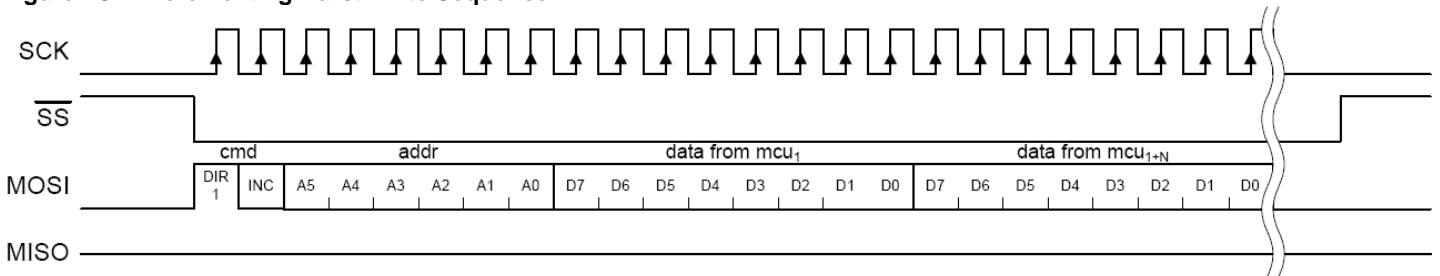
**Figure - SPI Incrementing Burst Read Sequence**



**Figure - SPI Single Write Sequence**



**Figure - SPI Incrementing Burst Write Sequence**



### Interrupts

The device provides an interrupt (IRQ) output, which is configurable to indicate the occurrence of various different events. The IRQ pin may be programmed to be either active high or active low, and be either a CMOS or open drain output. A full description of all the available interrupts can be found in *Section 9.0*. The CYRF6936 IC features three sets of interrupts: transmit, receive, and system interrupts. These interrupts all share a single pin (IRQ), but can be independently enabled/disabled. The contents of the enable registers are preserved when switching between transmit and receive modes. If more than one interrupt is enabled at any time, it is necessary to read the relevant status register to determine which event caused the IRQ pin to assert. Even when a given interrupt source is disabled, the status of the condition that would otherwise cause an interrupt can be determined by reading the appropriate status register. It is therefore possible to use the devices without making use of the IRQ pin by polling the status register(s) to wait for an event, rather than using the IRQ pin.

### Clocks

A 12-MHz crystal (30-ppm or better) is directly connected between XTAL and GND without the need for external capacitors. A digital clock out function is provided, with selectable output frequencies of 0.75-, 1.5-, 3-, 6-, or 12-MHz. This output may be used to clock an external microcontroller (MCU) or ASIC. This output is enabled by default, but may be disabled. Below are the requirements for the crystal to be directly connected to XTAL pin and GND:

### Power Management

The operating voltage of the device is 1.8V to 3.6V DC, which is applied to the VBAT pin. The device can be shutdown to a fully static sleep mode by writing to the FRC END = 1 and END STATE = 000 bits in the XACT\_CFG\_ADR register over the SPI interface. The device will enter sleep mode within 35-μs after the last SCK positive edge at the end of this SPI transaction. Alternatively, the device may be configured to automatically enter sleep mode after completing packet transmission or reception. When in sleep mode, the on-chip oscillator is stopped, but the SPI interface remains functional. The device will wake from sleep mode automatically when the device is commanded to enter transmit or receive mode. When resuming from sleep mode, there is a short delay while the oscillator restarts. The device may be configured to assert the IRQ pin when the oscillator has stabilized. The output voltage (VREG) of the Power Management Unit (PMU) is configurable to several minimum values between 2.4V and 2.7V. VREG may be used to provide up to 15 mA (average load) to external devices. It is possible to disable the PMU, and to provide an externally regulated DC supply voltage to the device's main supply in the range 2.4V to 3.6V. The PMU also provides a regulated 1.8V supply to the logic. The PMU has been designed to provide high boost efficiency (74–85% depending on input voltage, output voltage and load) when



# WirelessUSB™ - UGWJ4US

Solutions for a Real Time World

Data Sheet

using a Schottky diode and power inductor, eliminating the need for an external boost converter in many systems where other components require a boosted voltage. However, reasonable efficiencies (69-82% depending on input voltage, output voltage and load) may be achieved when using low cost components such as SOT23 diodes and 0805 inductors. The PMU also provides a configurable low battery detection function which may be read over the SPI interface. One of seven thresholds between 1.8V and 2.7V may be selected. The interrupt pin may be configured to assert when the voltage on the VBAT pin falls below the configured threshold. LV IRQ is not a latched event. Battery monitoring is disabled when the device is in sleep mode.

## Low Noise Amplifier (LNA) and Received Signal Strength Indication (RSSI)

The gain of the receiver may be controlled directly by clearing the AGC EN bit and writing to the Low Noise Amplifier (LNA) bit of the RX\_CFG\_ADR register. When the LNA bit is cleared, the receiver gain is reduced by approximately 20 dB, allowing accurate reception of very strong received signals (for example when operating a receiver very close to the transmitter). Approximately 30 dB of receiver attenuation can be added by setting the Attenuation (ATT) bit; this allows data reception to be limited to devices at very short ranges. Disabling AGC and enabling LNA is recommended unless receiving from a device using external PA. When the device is in receive mode the RSSI\_ADR register returns the relative signal strength of the on-channel signal power. When receiving, the device will automatically measure and store the relative strength of the signal being received as a 5-bit value. An RSSI reading is taken automatically when the SOP is detected. In addition, a new RSSI reading is taken every time the previous reading is read from the RSSI\_ADR register, allowing the background RF energy level on any given channel to be easily measured when RSSI is read when no signal is being received. A new reading can occur as fast as once every 12 μs.

## Register Descriptions

All registers are read and writable, except where noted. Registers may be written to or read from either individually or in sequential groups.

### Register Map Summary

Address	Mnemonic	b7	b6	b5	b4	b3	b2	b1	b0	Default <sup>(1)</sup>	Access <sup>(1)</sup>
0x00	CHANNEL_ADR	Not Used				Channel				-1001000	-bbbbbbb
0x01	TX_LENGTH_ADR				TX Length					00000000	bbbbbbb
0x02	TX_CTRL_ADR	TX GO	TX CLR	TXB15 IRQEN	TXB8 IRQEN	TXB0 IRQEN	TXBERR IRQEN	TXC IRQEN	TXE IRQEN	00000011	bbbbbbb
0x03	TX_CFG_ADR	Not Used	Not Used	DATA CODE LENGTH	DATA MODE		PA SETTING			-000101	-bbbbbb
0x04	TX_IRQ_STATUS_ADR	OS IRQ	LV IRQ	TXB15 IRQ	TXB8 IRQ	TXB0 IRQ	TXBERR IRQ	TXC IRQ	TXE IRQEN	-----	rrrrrrrr
0x05	RX_CTRL_ADR	RX GO	RSVD	RXB16 IRQEN	RXB8 IRQEN	RXB1 IRQEN	RXBERR IRQEN	RXC IRQEN	RXE IRQEN	00000111	-bbbbbb
0x06	RX_CFG_ADR	AGC EN	LNA	ATT	HILO	FAST TURN EN	Not Used	RXOW EN	VLD EN	10010-10	bbbbbb-bb
0x07	RX_IRQ_STATUS_ADR	RXOW IRQ	SOPDET IRQ	RXB16 IRQ	RXB8 IRQ	RXB1 IRQ	RXBERR IRQ	RXC IRQ	RXE IRQ	-----	brrrrrrr
0x08	RX_STATUS_ADR	RX ACK	PKT ERR	EOP ERR	CRC0	Bad CRC	RX Code	RX Data Mode		-----	rrrrrrrr
0x09	RX_COUNT_ADR			RX Count						00000000	rrrrrrrr
0x0A	RX_LENGTH_ADR			RX LENGTH						00000000	rrrrrrrr
0x0B	PWR_CTRL_ADR	PMU EN	LVIRQ EN	PMU SEN	Not Used	LVI TH			PMU OUTV	10100000	bbb-bbbb
0x0C	XTAL_CTRL_ADR	XOUT FN		XSIRQ EN	Not Used	Not Used	FREQ			000-100	Bbb-bbb
0x0D	IO_CFG_ADR	IRQ OD	IRQ POL	MISO OD	XOUT OD	PACTL OD	PACTL GPIO	SPI 3PIN	IRQ GPIO	00000000	bbbbbbb
0x0E	GPIO_CTRL_ADR	XOUT OP	MISO	PACTL	IRQ	XOUT	MISO IP	PACTL	IRQ	0000----	bbbrrrr



# WirelessUSB™ - UGWJ4US

Solutions for a Real Time World

Data Sheet

0x0F	XACT_CFG_ADR	ACK EN	Not Used	FRC END	OP	IP	END STATE	ACK TO	IP	1-000000	bbbbbbbb
0x10	FRAMING_CFG_ADR	SOP EN	SOP LEN	LEN EN			SOP TH			10100101	bbbbbbbb
0x11	DATA32_THOLD_ADR	Not Used	Not Used	Not Used	Not Used			TH32		----0100	----bbbb
0x12	DATA64_THOLD_ADR	Not Used	Not Used	Not Used				TH64		---01010	---bbbb
0x13	RSSI_ADR	SOP	Not Used	LNA			RSSI			0-100000	bbbbbbbb
0x14	EOP_CTRL_ADR	HEN		HINT			EOP			10100100	bbbbbbbb
0x15	CRC_SEED_LSB_ADR	CRD SEED LSB					CRC SEED LSB			00000000	bbbbbbbb
0x16	CRC_SEED_MSB_ADR	CRC SEED MSB					CRC SEED MSB			00000000	bbbbbbbb
0x17	TX_CRC_LSB_ADR	CRC LSB					CRC LSB			-----	rrrrrrrr
0x18	TX_CRC_MSB_ADR	CRC MSB					CRC MSB			-----	rrrrrrrr
0x19	RX_CRC_LSB_ADR	CRC LSB				CRC LSB				11111111	rrrrrrrr
0x1A	RX_CRC_MSB_ADR	CRC MSB				CRC MSB				11111111	bbbbbbbb
0x1B	TX_OFFSET_LSB_ADR	STRIM LSB				STRIM LSB				00000000	bbbbbbbb
0x1C	TX_OFFSET_MSB_ADR	Not Used	Not Used	Not Used	Not Used			STRIM MSB		----0000	----bbbb
0x1D	MODE_OVERRIDE_ADR	RSVD	RSVD	FRC SEN	FRC AWAKE		Not Used	Not Used	RST	00000—0	wwwww--w
0x1E	RX_OVERRIDE_ADR	ACK RX	RXTX DLY	MAN RXACK	FRC RXDR	DIS CRC0	DIS RXCRC	ACE	Not Used	000000-	bbbbbbb-
0x1F	TX_OVERRIDE_ADR	ACK TX	FRC PRE	RSVD	MAN TXACK	OVRD ACK	DIS TXCRC	RSVD	TX INV	00000000	bbbbbbbb
0x26	XTAL_CFG_ADR	RSVD	RSVD	RSVD	RSVD	START DLY	RSVD	RSVD	RSVD	00000000	wwwwwwww
0x27	CLK_OVERRIDE_ADR	RSVD	RSVD	RSVD	RSVD	RSVD	RSVD	RXF	RSVD	00000000	wwwwwwww
0x28	CLK_EN_ADR	RSVD	RSVD	RSVD	RSVD	RSVD	RSVD	RXF	RSVD	00000000	wwwwwwww
0x29	RX_ABORT_ADR	RSVD	RSVD	ABORT EN	RSVD	RSVD	RSVD	RSVD	RSVD	00000000	wwwwwwww
0x32	AUTO_CAL_TIME_ADR						AUTO_CAL-TIME			00000011	wwwwwwww
0x35	AUTO_CAL_OFFSET_ADR						AUTO_CAL_OFFSET			00000000	wwwwwwww
0x39	ANALOG_CTRL_ADR	RSVD	RSVD	RSVD	RSVD	RSVD	RSVD	RX INV	ALL SLOW	00000000	wwwwwwww
Register Files											
0x20	TX_BUFFER_ADR	TX Buffer File					TX Buffer File			-----	wwwwwwww
0x21	RX_BUFFER_ADR	RX Buffer File					RX Buffer File			-----	rrrrrrrr
0x22	SOP_CODE_ADR	SOP Code File					SOP Code File			Note 2	bbbbbbbb
0x23	DATA_CODE_ADR	Data Code File					Data Code File			Note 3	bbbbbbbb
0x24	PREAMBLE_ADR	Preamble File					Preamble File			Note 4	bbbbbbbb
0x25	MFG_ID_ADR	MFG ID File					MFG ID File			NA	rrrrrrrr

**Notes**

1. b = read/write, r = read only, w = write only, - = not used, default value is undefined.
2. SOP\_CODE\_ADR default = 0x17FF9E213690C782.
3. DATA\_CODE\_ADR default = 0x02F9939702FA5CE3012BF1DB0132BE6F.
4. PREAMBLE\_ADR default = 0x333302.



# WirelessUSB™ - UGWJ4US

Solutions for a Real Time World

Data Sheet

Mnemonic	CHANNEL_ADR			Address				0x00
Bit	7	6	5	4	3	2	1	0
	-		1	0	1	0	0	0
	-		R/W	R/W	R/W	R/W	R/W	RW
Function	Not Used	Channel						
Bit 7	Not Used.							
Bits 6:0	This field selects the channel. 0x00 sets 2400 MHz; sets 2498 MHz. Values above 0x62 are not valid. The default channel is a fast channel above the frequency typically used in non-overlapping WiFi systems. Any write to this register will impact the time it takes the synthesizer to settle.							
	fast (100-us) – 0 3 6 9 12 15 18 21 24 27 30 33 36 39 42 45 48 51 54 57 60 63 66 69 72 96							
	medium (180-us) – 2 4 8 10 14 16 20 22 26 28 32 34 38 40 44 46 50 52 56 58 62 64 68 70 74 76 78 80 82 84 86 88 90 92 94							
	slow (270-us) – 1 5 7 11 13 17 19 23 25 29 31 35 35 37 41 43 47 49 53 55 59 61 65 67 71 73 75 77 79 81 83 85 87 89 91 93 95 97							
	Usable channels subject to regulation							

Mnemonic	TX_LENGTH_ADR			Address				0x01
Bit	7	6	5	4	3	2	1	0
Default	0	0	0	0	0	0	0	0
Read/Write	R/W	R/W	R/W	R/W	R/W	R/W	R/W	R/W
Function	TX Length							
Bits 7:0	This register sets the length of the packet to be transmitted. A length of zero is valid, and will transmit a packet with SOP, length CRC and CRC16 fields (if enabled), but no data field. Packet lengths of more than 16 bytes will require that some data bytes be written after transmission of the packet has begun. Typically, length is updated prior to setting TX GO. The maximum packet length for all packets is 40 bytes except for framed 64-chip DDR where the maximum packet length is 16 bytes.							
	Maximum packet length is limited by the delta between the transmitter and receiver crystals of 60-ppm or better.							



# WirelessUSB™ - UGWJ4US

Solutions for a Real Time World

Data Sheet

Mnemonic	TX_CTRL_ADR			Address				Ox02
Bit	7	6	5	4	3	2	1	0
Default	0	0	0	0	0	0	1	1
Read/Write	R/W	R/W	R/W	R/W	R/W	R/W	R/W	R/W
Function	TX GO	TX CLR		TXB8 IRQEN	TXB0 IRQEN	TXBERR IRQEN	TXC IRQEN	TXE IRQEN
Bit 7	Start Transmission. Setting this bit triggers the transmission of a packet. Writing a 0 to this flag has no effect. This bit is cleared automatically at the end of packet transmission. The transmit buffer may be loaded either before or after setting this bit. If data is loaded after setting this bit, the length of time available to load the buffer depends on the starting state (sleep, idle or synth), the length of the SOP code, the length of preamble, and the packet data rate. For example, if starting from idle mode on a fast channel in 8DR mode with 32 chip SOP codes the time available is 100 us (synth start) + 32 us (preamble) + 64 us (SOP length) + 32 us (length byte0 = 228 us. If there are no bytes in the TX buffer at the end of transmission of the length field, a TXBERR IRQ will occur and transmission will abort.							
Bit 6	Clear TX Buffer. Writing a 1 to this register clears the transmit buffer. Writing a 0 to this bit has no effect. The previous packet (16 or fewer bytes) may be retransmitted by setting TX GO and not setting this bit. If a new transmit packet is to be loaded before/after the the TX GO bit has been set, then this bit should be set before loading a new transmit packet to the buffer.							
Bit 5	Buffer Not Full Interrupt Enable. See TX_IRQ_STATUS_ADR for description.							
Bit 4	Buffer Half Empty Interrupt Enable. See TX_IRQ_STATUS_ADR for description.							
Bit 3	Buffer Empty Interrupt Enable. See TX_IRQ_STATUS_ADR for description.							
Bit 2	Buffer Error Interrupt Enable. See TX_IRQ_STATUS_ADR for description.							
Bit 1	Transmission Complete Interrupt Enable. TXC IRQEN and TXE IRQEN must be set together. See TX_IRQ_STATUS_ADR for description.							
Bit 0	Transmit Error Interrupt Enable. TXC IRQEN and TXE IRQEN must be set together. See TX_IRQ_STATUS_ADR for description.							

Mnemonic	TX_CFG_ADR			Address				Ox03
Bit	7	6	5	4	3	2	1	0
Default	-	-	0	0	1	1	0	1
Read/Write	-	-	R/W	R/W	R/W	R/W	R/W	RW
Function	Not Used	Not Used	Data Code Length	Data Mode		PA Setting		
Bit 5	Data Code Length. This bit selects the length of the DATA_CODE_ADR code for the data portion of the packet. This bit is ignored when The data mode is set to GFSK. 1= 64 chip codes. 0 = 32 chip codes.							
Bits 4:3	Data Mode. This field sets the data transmission mode. 00 = 1-Mbps GFSK. 01 = 8DR Mode. 10= DDR Mode. 11= SDR Mode. It is recommended that firmware sets the ALL SLOW bit in register ANALOG_CTRL_ADR when using GFSK data rate mode.							
Bits 2:0	PA Setting. This field sets the transmit signal strength. 0 = -30 dBm, 1 = -25 dBm, 2 = -20 dBm, 3 = dBm, 4 = -25 dBm, 5 = -20 dBm, 6 = -15dBm, 7 = -10 dBm, 8 = -5 dBm, 9 = 0 dBm, 10 = +4 dBm.							



Mnemonic	TX_IRQ_STATUS_ADR			Address				0x04
Bit	7	6	5	4	3	2	1	0
Default	-	-	-	-	-	-	-	-
Read/Write	R	R	R	R	R	R	R	R
Function	OS IRQ	LV IRQ	TXB15 IRQ	TXB8 IRQ	TXB0 IRQ	TXVERR IRQ	TXC IRQ	TXE IRQ

The state of all IRQ status bits is valid regardless of whether or not the IRQ is enabled. The IRQ output of the device is in its active state whenever one or more bits in this register is set and the corresponding IRQ enable bit is also set. Status bits are non-atomic (different flags may change value at different times in response to a single event).

- Bit 7 Oscillator Stable IRQ Status. This bit is set when the internal crystal oscillator has settled (synthesizer sequence starts).
- Bit 6 Low Voltage Interrupt Status. This bit is set when the voltage on VBAT is below the LVI threshold (see PWR\_CTL\_ADR). This interrupt is automatically disabled whenever the PMU is disabled. When enabled, this bit reflects the voltage on VBAT.
- Bit 5 Buffer Not Full Interrupt Status. This bit is set whenever there are 15 or fewer bytes remaining in the the transmit buffer.
- Bit 4 Buffer Half Empty Interrupt Status. This bit is set whenever there are 8 fewer bytes remaining in the transmit buffer.
- Bit 3 Buffer Empty Interrupt Status. This bit is set at any time that the transmit buffer is empty.
- Bit 2 Buffer Error Interrupt Status. The IRQ is triggered by either of two events: (1) When the transmit buffer (TX\_BUFFER\_ADR) is empty and the number of bytes remaining to be transmitted is greater than zero. (2) When a byte is written to the transmit buffer and the buffer is already full. This IRQ is cleared by setting bit TX\_CLE in TX\_CTRL\_ADR.
- Bit 1 Transmission Complete Interrupt Status. This IRQ is triggered when transmission is complete. If transaction mode is not enabled then This interrupt is triggered immediately after transmission of the last bit of the CRC16. If transaction mode is enabled, this interrupt is Triggered at the end of a transaction. Reading this register clears this bit. TXC IRQ and TXE IRQ flags may change value at different times in response to a single event. If transaction mode is enabled and the first read of this register returns TXC IRQ=1 and TXE IRQ=1 and TXE IRQ=0 then firmware must execute a second read to this register to determine if an error occurred by examining the status of TXE. There can be a case when this bit is not triggered when ACK EN = 1 and there is an error in transmission. If the first read of this register returns TXC IRQ = 1 and TXE IRQ = 1 then the firmware must not execute a second read to this register for a given transaction. If an ACK is received RXC IRQ and RXE IRQ may be asserted instead of TXC IRQ and TXE IRQ.
- Bit 0 Transmit Error Interrupt Status. This IRQ is triggered when there is an error in transmission. This interrupt is only applicable to transaction mode. It is triggered whenever no valid ACK packet is received within the ACK timeout period. Reading this register clears this bit. See TXC IRQ, above.

Mnemonic	RX_CTRL_ADR			Address				0x05
Bit	7	6	5	4	3	2	1	0
Default	0	0	0	0	0	1	1	1
Read/Write	R/W	R/W	R/W	R/W	R/W	R/W	R/W	RW
Function	RX GO	RSVD	RXB16 IRQENI	RXB8 IRQEN	RXB1 IRQEN	RXBERR IRQEN	RXC IRQEN	RXE IRQEN
Bit 7	Start Receive. Setting this bit causes the device to transition to receive mode. If necessary, the crystal oscillator and synthesizer will start automatically after this bit is set. Firmware must never clear this bit. This bit must not be set again until after it self clears. The recommended method to exit receive mode when an error has occurred is to force END STATE and then dummy read all RX_COUNT_ADR bytes from RX_BUFFER_ADR or poll RSSI_ADR.SOP (bit 7) until set. See XACT_CFG_ADR and RX_ABORT_ADR for description.							
Bit 6	Reserved. Must be zero.							
Bit 5	Buffer Full Interrupt Enable. See RX_IRQ_STATUS for description.							
Bit 4	Buffer Half Empty Interrupt Enable. See RX_IRQ_STATUS_ADR for description.							
Bit 3	Buffer Not Empty Interrupt Enable. RXB1 IRQEN must not be set when RXB8 IRQEN is set and vice versa. See RX_IRQ_STATUS_ADR for description.							
Bit 2	Buffer Error Interrupt Enable. See RX_IRQ_STATUS_ADR for description.							
Bit 1	Packet Reception Complete Interrupt Enable. See RX_IRQ_STATUS_ADR for description.							
Bit 0	Receive Error Interrupt Enable. See RX_IRQ_STATUS_ADR for description.							



# WirelessUSB™ - UGWJ4US

Solutions for a Real Time World

Data Sheet

Mnemonic	RX_CFG_ADR			Address				0x06
	7	6	5	4	3	2	1	
Bit	7	6	5	4	3	2	1	0
Default	1	0	0	1	0	-	1	0
Read/Write	R/W	R/W	R/W	R/W	R/W	-	R/W	RW
Function	AGC EN	LNA	ATT	HILO	FAST TURN EN	Not Used	RXOW EN	VLD EN

Status bits are non-atomic (different flags may change value at different times in response to a single event).

- Bit 7 Automatic Gain Control (AGC) Enable. When this bit is set, AGC is enabled, and the LNA is controlled by the AGC circuit. When this bit is cleared the LNA is controlled manually using LNA bit. Typical applications will clear this bit during initialization. It is recommended that this bit be cleared and bit 6 (LNA) be set unless the device will be used in a system where it may receive data from a device using an external PA to transmit signals at >+4 dBm.
- Bit 6 Low Noise Amplifier (LNA) Manual Control. When AGC EN (Bit 7) is cleared, this bit controls the state of the receiver LNA; when AGC EN is set, this bit has no effect. Setting this bit enables the LNA; clearing this bit disables the LNA. Device current in receive mode is slightly Lower when the LNA is disabled. Typical applications will set this bit during initialization.
- Bit 5 Receive Attenuator Enable. Setting this bit enables the receiver attenuator. The receiver attenuator may be used to de-sensi-tize the receiver so that only very strong signals may be received. This bit should only be set when the AGC EN is disabled and the LNA is manually disabled.
- Bit 4 HILO. When FAST TURN EN is set, this bit is used to select whether the device will use the high frequency for the channel selected, or The low frequency. 1 = hi; 0 = lo. When FAST TURN EN is not enabled this also controls the highlow bit to the receiver and should be Left at the default value of 1 for high side receive injection. Typical applications will clear this bit during initialization.
- Bit 3 Fast Turn Mode Enable. When this bit is set, the HILO bit determines whether the device receives data transmitted 1 MHz above the RX Synthesizer frequency or 1 MHz below the receiver synthesizer frequency. Use of this mode allows for very fast turn-around, because the same synthesizer frequency may be used for both transmit and receive, thus eliminating the synthesizer resetting period between transmit and receive. Note that when this bit is set, and the HILO bit is cleared, received data bits are automatically inverted to compensate for the inversion of data received on the "image" frequency. Typical applications will set this bit during initialization.
- Bit 1 Overwrite Enable. When this bit is set, if an SOP is detected while the receive buffer is not empty, then the existing contents of receive Buffer are lost, and the new packet is loaded into the receive buffer. When this bit is set, the RXOW IRQ is enabled. If this bit is cleared, Then the receive buffer may not be over-written by a new packet, and whenever the receive buffer is not empty SOP conditions are Ignored, and it is not possible to receive data until the previously received packet has been completely read from the receive buffer.
- Bit 0 Valid Flag Enable. When this bit is set, the receive buffer can store up to 8 bytes of data interleaved with valids (data0, valids0, data1, valids1...). Typically, this bit is set only when interoperability with first generation devices is desired. See RX\_BUFFER\_ADR for more detail.

Mnemonic	RX_IRQ_STATUS_ADR			Address				0x07
Bit	7	6	5	4	3	2	1	0
Default	-	-	-	-	-	-	-	-
Read/Write	R/W	R	R	R	R	R	R	R
Function	RXOW IRQ	SOPDET IRQ	RXB16 IRQ	RXB8 IRQ	RXB1 IRQ	RXBERRIRQ	RXC IRQ	RXE IRQ

The state of all IRQ Status bits is valid regardless of whether or not the IRQ is enabled. The IRQ output of the device is in its active state whenever one or more bits in this register is set and the corresponding IRQ enable bit is also set. Status bits are non-atomic (different flags may change value at different times in response to a single event). In particular, standard error handling is only effective if the premature termination of a transmission due to an exception does not leave the device in an inconsistent state.

**Bit 7** Receive Overwrite Interrupt Status. This IRQ is triggered when the receive buffer is over-written by a packet being received before the previous packet has been read from the buffer. This bit is cleared by writing any value to this register. This condition is only possible when the RXOWEN bit in RX\_CFG\_ADR is set. This bit must be written "1" by firmware before the new packet may be read from the receive buffer.

**Bit 6** Start of packet detect. This bit is set whenever the start of packet symbol is detected.

**Bit 5** Receiver Buffer Full Interrupt Status. This bit is set whenever the receive buffer is full, and cleared otherwise.

**Bit 4** Receive Buffer Half Full Interrupt Status. This bit is set whenever there are 8 or more bytes remaining in the receive buffer. Firmware must read exactly eight bytes when reading RXB8 IRQ.

**Bit 3** Receive Buffer Not Empty Interrupt Status. This bit is set at any time that there are 1 or more bytes in the receive buffer, and cleared when the receive buffer is empty. It is possible, in rare cases, that the last byte of a packet may remain in the buffer even though the RXB1 IRQ flag has cleared. This can ONLY happen on the last byte of a packet and only if the packet data is being read out of the buffer while the packet is still being received. The flag is trustworthy under all other conditions, and for all bytes prior to the last. When using RXB1 IRQ and unloading the packet data during reception, the user should be sure to check the RX\_COUNT\_ADR value after the RXC IRQ/RXE IRQ is set and unload the last remaining bytes if the number of bytes unloaded is less than the reported count, even though the RXB1 IRQ is not set.

**Bit 2** Receive Buffer Error Interrupt Status. This IRQ is triggered in one of two ways: (1) When the receive buffer is empty and there is an attempt to read data. (2) When the receive buffer is full and more data is received. This flag is cleared when RX GO is set and a SOP is received.

**Bit 1** Packet Receive Complete Interrupt Status. This IRQ is triggered when a packet has been received. If transaction mode is enabled, then this bit is not set until after transmission of the ACK. If transaction mode is not enabled then this bit is set as soon as a valid packet is received. This bit is cleared when this register is read. RXC IRQ and RXE IRQ flags may change value at different times response to a single event. There are cases when this bit is not triggered when ACK EN = 1 and there is an error in reception. Therefore, firmware should examine RXC IRQ, RXE IRQ, and CRC 0 to determine receive status. If the first read of this register returns RXC IRQ = 1 and RXE IRQ = 0 then firmware must execute a second read to this register to determine if an error occurred by examining the status of RXE IRQ. If the first read of this register returns RXC IRQ = 1 and RXE IRQ = 1 then the firmware must not execute a second read to this register for a given transaction.

**Bit 0** Receive Error Interrupt Status. This IRQ is triggered when there is an error in reception. It is triggered whenever a packet is received with a bad CRC16, an unexpected EOP is detected, a packet type (data or ACK) mismatch, or a packet is dropped because the receive buffer is still not empty when the next packet starts. The exact cause of the error may be determined by reading RX\_STATUS\_ADR. This bit is cleared when this register is read.

Mnemonic	RX_STATUS_ADR			Address				0x08
Bit	7	6	5	4	3	2	1	0
Default	-	-	-	-	-	-	-	-
Read/Write	R	R	R	R	R	R	R	R
Function	RX ACK	PKT ERR	EOP ERR	CRC0	Bad CRC	RX Code	RX Data Mode	

It is expected that firmware does not read this register until after TX GO self clears. Status bits are non-atomic (different flags may change value at different times in response to a single event)

- Bit 7 RX Packet Type. This bit is set when the received packet is an ACK packet, and cleared when the received packet is a standard packet.
- Bit 6 Receive Packet Type Error. This bit is set when the packet type received is what not was expected and cleared when the packet type received was as expected. For example, if data packet is expected and an ACK is received, this bit will be set.
- Bit 5 Unexpected EOP. This bit is set when an EOP is detected before the expected data length and CRC 16 fields have been received. This bit is cleared when SOP pattern for the next packet has been received. This includes the case where there are invalid bits detected in the length field and the length field is forced to 0.
- Bit 4 Zero-seed CRC 16. This bit is set whenever the CRC 16 of the last received packet has a zero seed.
- Bit 3 Bad CRC 16. This bit is set when the CRC 16 of the last received packet is incorrect.
- Bit 2 Receive Code Length. This bit indicated the DATA\_CODE\_ADR code length used in the last correctly received packet. 1 = 64-chip code, 0 = 32-chip code.
- Bit 1:0 Receive Data Mode. These bits indicate the data mode of the last correctly received packet. 00 = 1-Mbps GFSK 01 = 8DR 10 = DDR. 11 = Not Valed. These bits do not apply to unframed packets.

Mnemonic	RX_COUNT_ADR			Address				0x09
Bit	7	6	5	4	3	2	1	0
Default	0	0	0	0	0	0	0	0
Read/Write	R	R	R	R	R	R	R	R
Function	RX Count							

Count bits are non-atomic (updated at different times).

- Bits 7:0 This register contains the total number of payload bytes received during reception of the current packet. After packet reception is complete, this register will match the value in RX\_LENGTH\_ADR unless there was a packet error. This register is cleared when RX\_LENGTH\_ADR is automatically loaded, if length is enabled, after the SOP. Count should not be read when RX\_GO=1 during a transaction.



# WirelessUSB™ - UGWJ4US

Solutions for a Real Time World

Data Sheet

Mnemonic	RX_LENGTH_ADR			Address				Ox0A
Bit	7	6	5	4	3	2	1	0
Default	0	0	0	0	0	0	0	0
Read/Write	R	R	R	R	R	R	R	R
Function	RX Length							
Lengths bits are non-atomic (different flags may change value at different times in response to a single event).								
Bits 7:0 This register contains the length field which is updated with the reception of a new length field (shortly after start of packet detected). If there is an error in the received length field, 0x00 is loaded instead, except when using GFSK datarate, and an error is flagged.								

Mnemonic	PWR_CTRL_ADR			Address				Ox0B
Bit	7	6	5	4	3	2	1	0
Default	1	0	1	-	0	0	0	0
Read/Write	R/W	R/W	R/W	-	R/W	R/W	R/W	RW
Function	PMU EN	LVIRQ EN	PMU SEN	Not Used	LVI TH		PMU OUTV	
Bit 7 VBAT	Power Management Unit (PMU) Enable. Setting this bit enables the PMU. When the PMU is disabled, or if the PMU is enabled and the voltage is above the value set in Bits 1:0 of this register, the VREG pin is internally connected to the VBAT pin. If the PMU is enabled and VBAT voltage is below the value set by PMU OUTV, then the PMU will boost the VREG pin to a voltage not less than the value set by PMU OUTV.							
Bit 6	Low Voltage Interrupt Enable. Setting this bit enables the LV IRQ interrupt. When this interrupt is enabled, if the VBAT voltage falls below the threshold set by LVI TH, then a low voltage interrupt will be generated. The LVI is not available when the device is in sleep mode. The LVI event on IRQ pin is automatically disabled whenever the PMU is disabled.							
Bit 5	PMU Sleep Mode Enable. If this bit is set, the PMU will continue to operate normally when the device is in sleep mode. If this bit is not set, Then the PMU is disabled when the device is in sleep mode. In this case, if VBAT is below the PMU OUTV voltage and PMU EN is set, when The device enters sleep mode the VREG voltage falls to the VBAT voltage as the VBAT voltage as the VREG capacitors discharge.							
Bits 3:2	Low Voltage Interrupt Threshold. This field sets the voltage VBAT at which the LVI is triggered. 11 = 1.8V; 10 = 2.0V; 01 = 2.2v; 00 = PMU OUTV voltage.							
Bits 1:0 PMU	PMU Output Voltage. This field sets the minimum output voltage of the PMU. 11 = 2.4V; 10 = 2.5V; 01 = 2.6V; 00 = 2.7V. When the PMU is active, the voltage output by the PMU on VREG will never be less than this voltage provided that the total load on the VREG pin is less Than the specified maximum value, and the voltage in VBAT is greater than the specified minimum value.							



# WirelessUSB™ - UGWJ4US

Solutions for a Real Time World

Data Sheet

Mnemonic	XTAL_CTRL_ADR			Address				Ox0C
Bit	7	6	5	4	3	2	1	0
Default	0	0	0	0	1	0	0	0
Read/Write	R/W	R/W	R/W	R/W	R/W	R/W	R/W	R/W
Function	XOUT FN		XSIRQ EN	Not Used	Not Used	FREQ		
<p>Bits 7:6 XOUT Pin Function. This field selects between the different functions of the XOUT pin. 00 = Clock frequency set by XOUT FREQ; 01 = Active LOW PA Control; 10 = Radio data serial bit stream. If this option is selected and SPI is configured for 3-wire mode then the MISO pin will output a serial clock associated with this data stream; 11 = GPIO. To disable this output, set to GPIO mode, and set the GPIO state in IO_CFG_ADR.</p> <p>Bit 5 Crystal Stable Interrupt Enable. This bit enables the OS IRQ interrupt. When enabled, this interrupt generates an IRQ event when the crystal has stabilized after the device has woken from sleep mode. This event is cleared by writing zero to this bit.</p> <p>Bits 2:0 XOUT Frequency. This field sets the frequency output on the XOUT pin when XOUT FN is set to 00. 0 = 12 MHz; 1 = 6 MHz, 2 = 3MHz, 3 = 1.5 MHz, 4 = 0.75 MHz; other values are not defined.</p>								

Mnemonic	IO_CFG_ADR			Address				Ox0D
Bit	7	6	5	4	3	2	1	0
Default	0	0	0	0	0	0	0	0
Read/Write	R/W	R/W	R/W	R/W	R/W	R/W	R/W	R/W
Function	IRQ OD	IRQ POL	MISO OD	XOUT OD	PACTL OD	PACTL GPIO	SPI 3PIN	IRQ GPIO
Function	Not Used	Channel						
<p>To use a GPIO pin as an input, the output mode must be set to open drain, and a "1" written to the corresponding output register bit.</p> <p>Bit 7 IRQ Pin Drive Strength. Setting this bit configures the IRQ pin as an open drain output. Clearing this bit configures the IRQ pin as a standard CMOS output, with the output "1" drive voltage being equal to the VIO pin voltage.</p> <p>Bit 6 IRQ Polarity. Setting this bit configures the IRQ signal polarity to be active HIGH. Clearing this bit configures the IRQ signal polarity to be active low.</p> <p>Bit 5 MISO Pin Drive Strength. Setting this bit configures the MISO pin as an open drain output. Clearing this bit configures the MISO pin as a standard CMOS output, with the output "1" drive voltage being equal to the VIO pin voltage.</p> <p>Bit 4 XOUT Pin Drive Strength. Setting this bit configures the XOUT pin as an open drain output. Clearing this bit configures the XOUT pin as a standard CMOS output, with the output "1" drive voltage being equal to the VIO pin voltage.</p> <p>Bit 3 PACTL Pin Drive Strength. Setting this bit configures the PACTL pin as an open drain output. Clearing this bit configures the PACTL pin as a standard CMOS output, with the output "1" drive voltage being equal to the VIO pin voltage.</p> <p>Bit 2 PACTL Pin Function. When this bit is set the PACTL pin is available for use as a GPIO.</p> <p>Bit 1 SPI Mode. When this bit is cleared, the SPI interface acts as a standard 4-wire SPI Slave interface. When this bit is set, the SPI interface operates in "3-Wire Mode" combining MISO and MOSI on the same pin (SDAT), and the MISO pin is available as a GPIO pin.</p> <p>Bit 0 IRQ Pin Function. When this bit is cleared, the IRQ pin is asserted when an IRQ is active; the polarity of this IRQ signal is configurable In IRQ POL. When this bit is set, the IRQ pin is available for use as a GPIO pin, and the IRQ function is multiplexed onto the MOSI pin. In this case the IRQ signal state is presented on the MOSI pin whenever the SS signal is inactive (HIGH). Usable channels subject to regulation</p>								



# WirelessUSB™ - UGWJ4US

Solutions for a Real Time World

Data Sheet

Mnemonic	GPIO_CTRL_ADR			Address				OxOE
	7	6	5	4	3	2	1	
Default	0	0	0	0	-	-	-	-
Read/Write	R/W	R/W	R/W	R/W	R/W	R/W	R/W	R/W
Function	XOUT OP	MISO OP	PACTL OP	IRQ OP	XOUT IP	MISO IP	PACTL IP	IRQ IP

To use a GPIO pin as an input, the output mode must be set to open drain, and a "1" written to the corresponding output register bit.

- Bit 7 XOUT Output. When the XOUT pin is configured to be a GPIO, the state of this bit sets the output state of the XOUT pin.
- Bit 6 MISO Output. When the MISO pin is configured to be a GPIO, the state of this bit sets the output state of the MISO pin.
- Bit 5 PACTL Output. When the PACTL pin is configured to be a GPIO, the state of this bit sets the output state of the PACTL pin.
- Bit 4 IRQ Output. When the IRQ pin is configured to be a GPIO, the state of this bit sets the output state of the IRQ pin.
- Bit 3 XOUT Input. The state of this bit reflects the voltage on the XOUT pin.
- Bit 2 MISO Input. The state of this bit reflects the voltage on the MISO pin.
- Bit 1 PACTL Input. The state of this bit reflects the voltage on the PACTL pin.
- Bit 0 IRQ Input. The state of this bit reflects the voltage on the IRQ pin.

Mnemonic	XACT_CFG_ADR			Address				OxOF
	7	6	5	4	3	2	1	
Default	-		1	0	1	0	0	0
Read/Write	R/W	-	R/W	R/W	R/W	R/W	R/W	R/W
Function	ACK EN	Not Used	FRC END	END STATE			ACK TO	

- Bit 7 Acknowledge Enable. When this bit is set, an ACK packet is automatically transmitted whenever a valid packet is received; in this case the device is considered to be in transaction mode. After transmission of the ACK packet, the device automatically transitions to the END STATE. When this bit is cleared, the device transitions directly to the END STATE immediately after the end of packet transmission. This bit affects both transmitting and receiving devices.
- Bit 5 Force End State. Setting this bit forces a transition to the state set in END STATE. By setting the desired END STATE at the same time as setting this bit the device may be forced to immediately transition from its current state to any other state. This bit is automatically cleared upon completion. Firmware MUST never try to force END STATE while TX GO is set, nor when RX GO is set and a SOP has already been received (packet reception already in progress).
- Bits 4:2 Transaction End State. This field defines the mode to which the device transitions after receiving or transmitting a packet. 000 = Sleep Mode; 001 = Idle Mode; 010 = Synth Mode (TX); 011 = Synth Mode (RX); 100 = RX Mode. In normal use, this field will typically be set to 000 or 001 when the device is transmitting packets, and 100 when the device is receiving packets. Note that when the device transitions to receive mode as an END STATE, the receiver must still be armed by setting RX GO before the device can begin receiving data. If the system only support packets <=16 bytes then firmware should examine RXC IRQ and RXE IRQ to determine the status of the packet. If the system supports packets > 16 bytes ensure that END STATE is not sleep, force RXF=1, perform receive operation, force RXF=0, and if necessary set END STATE back to sleep.
- Bits 1:0 ACK Timeout. When the device is configured for transaction mode, this field sets the timeout period after transmission of a packet during which an ACK must be correctly received in order to prevent a transmit error condition from being detected. This timeout period is expressed in terms of a number of SOP\_CODE\_ADR code lengths; if SOP LEN is set, then the timeout period is this value multiplied by 64 μs and if SOP LEN is cleared then the timeout is this value multiplied by 32 μs. 00 = 4x; 01 = 8x, 10 = 12x; 11 = 15x the SOP\_CODE\_ADR code length. ACK\_TO must be set to greater than 30 + Data Code Length (only for





# WirelessUSB™ - UGWJ4US

Solutions for a Real Time World

Data Sheet

8DR) + Preamble Length + SOP Code Length (x2).

Mnemonic	FRAMING_CFG_ADR			Address				0x10
Bit	7	6	5	4	3	2	1	0
Default	1	0	1	0	0	1	0	1
Read/Write	R/W	R/W	R/W	R/W	R/W	R/W	R/W	RW
Function	SOP EN	SOP LEN	LEN EN	SOP TH				
Bit 7	SOP Enable. When this bit is set, each transmitted packet begins with a SOP field, and only packets beginning with a valid SOP field will be received. If this bit is cleared, no SOP field will be generated when a packet is transmitted, and packet reception will begin whenever two successive correlations against the DATA_CODE_ADR code are detected.							
Bit 6	SOP PN Code Length. When this bit is set the SOP_CODE_ADR code length is 64 chips. When this bit is cleared the SOP_CODE_ADR code length is 32 chips.							
Bit 5	Packet Length Enable. When this bit is set the 8-bit value contained in TX_LENGTH_ADR is transmitted immediately after the SOP field. In receive mode, the 8 bits immediately following the SOP field are interpreted as the length of the packet. When this bit is cleared no packet length field is transmitted. 8DR always sends the packet length field (LEN EN setting is ignored). GFSK requires user set LEN EN = 1.							
Bits 4:0	SOP Correlator Threshold. This is the receive data correlator threshold used when attempting to detect a SOP symbol. There is a single threshold for the SOP_CODE_ADR code. This threshold is applied independently to each of SOP1 and SOP2 fields. When SOP LEN is set, all 5 bits of this field are used. When SOP LEN is cleared, the most significant bit is disregarded. Typical applications configure SOP TH = 04h for SOP32 and SOP TH = 0Eh for SOP64.							

Mnemonic	DATA32_THOLD_ADR			Address				0x11
Bit	7	6	5	4	3	2	1	0
Default	-	-	-	-	0	1	0	0
Read/Write	-	-	-	-	R/W	R/W	R/W	R/W
Function	Not Used	Not Used	Not Used	Not Used	TH32			
Bits 7:4	Not Used.							
Bits 3:0	32 Chip Data PN Code Correlator Threshold. This register sets the correlator threshold used in DSSS modes when DATA CODE LENGTH (see TX_CFG_ADR) is set to 32. Typical applications configure TH32 = 05h.							

Mnemonic	DATA64_THOLD_ADR			Address				0x12
Bit	7	6	5	4	3	2	1	0
Default	-	-	-	-	0	1	0	0
Read/Write	-	-	-	R/W	R/W	R/W	R/W	R/W



# WirelessUSB™ - UGWJ4US

Solutions for a Real Time World

Data Sheet

Function	Not Used	Not Used	Not Used	TH64
Bits 7:4 Not Used.				
Bits 3:0 64 Chip Data PN Code Correlator Threshold. This register sets the correlator threshold used in DSSS modes when DATA CODE LENGTH (see TX_CFG_ADR) is set to 64. Typical applications configure TH64 = 0Eh.				

Mnemonic	RSSI_ADR			Address				0x13
Bit	7	6	5	4	3	2	1	0
Default	0	-	1	0	0	0	0	0
Read/Write	R	-	R	R	R	R	R	R
Function	SOP	Not Used	LNA	RSSI				
<p>A Received Signal Strength Indicator (RSSI) reading is taken automatically when an SOP symbol is detected. In addition, an RSSI reading is taken whenever RSSI_ADR is read. The contents of this register are not valid after the device is configured for receive mode until either a SOP symbol is detected, or the register is (re)read. The conversion can occur as often as once every 12-μs. The approximate slope of the curve is 1.9 dB/count, but is not guaranteed.</p> <p>If it is desired to measure the background RF signal strength on a channel before a packet has been received then the MCU should perform a "dummy" read of this register, the results of which should be discarded. This "dummy" read will cause an RSSI measurement to be taken, and therefore subsequent readings of the register will yield valid data.</p> <p>Bit 7 SOP RSSI Reading. When set, this bit indicates that the reading in the RSSI field was taken when a SOP symbol was detected. When cleared, this bit indicates that the reading stored in the RSSI field was triggered by a previous SPI read of this register.</p> <p>Bit 5 LNA State. This bit indicates the LNA state when the RSSI reading was taken. When cleared, this bit indicates that the LNA was disabled when the RSSI reading was taken; if set this bit indicates that the LNA was enabled when the RSSI reading was taken.</p> <p>Bits 4:0 RSSI Reading. This field indicates the instantaneous strength of the RF signal being received at the time that the RSSI reading was taken. A larger value indicates a stronger signal. The signal strength measured is for the RF signal on the configured channel, and is measured after the LNA stage.</p>								

Mnemonic	EOP_CTRL_ADR			Address				0x14
Bit	7	6	5	4	3	2	1	0
Default	1	0	1	0	0	1	0	0
Read/Write	R/W	R/W	R/W	R/W	R/W	R/W	R/W	R/W
Function	HEN	HINT			EOP			
<p>If the LEN EN bit is set, then the contents of this register have no effect. If the LEN EN bit is cleared, then this register is used to configure how an EOP (end of packet) condition is detected.</p> <p>Bit 7 EOP Hint Enable. When set, this bit will cause an EOP to be detected if no correlations have been detected for the number of symbol periods set by the HINT field and the last two received bytes match the calculated CRC16 for all previously received bytes. Use of this mode reduces the chance of non-correlations in the middle of a packet from being detected as an EOP condition.</p> <p>Bits 6:4 EOP Hint Symbol Count. The minimum number of symbols of consecutive non-correlations at which the last two bytes are checked against the calculated CRC16 to detect an EOP condition.</p> <p>Bits 4:0 EOP Symbol Count. An EOP condition is deemed to exist when the number of consecutive non-correlations is detected.</p>								



# WirelessUSB™ - UGWJ4US

Solutions for a Real Time World

Data Sheet

Mnemonic	CRC_SEED_LSB_ADR			Address				0x15
Bit	7	6	5	4	3	2	1	0
Default	0	0	0	0	0	0	0	0
Read/Write	R/W	R/W	R/W	R/W	R/W	R/W	R/W	R/W
Function	CRC SEED LSB							

The CRC16 seed allows different devices to generate or recognize different CRC16s for the same payload data. If a transmitter and receiver use a randomly selected CRC16 seed, the probability of correctly receiving data intended for a different receiver is 1/65535, even if the other transmitter/receiver are using the same SOP\_CODE\_ADR codes and channel.

Bits 7:0 CRC16 Seed Least Significant Byte. The LSB of the starting value of the CRC16 calculation.

Mnemonic	CRC_SEED_MSB_ADR			Address				0x16
Bit	7	6	5	4	3	2	1	0
Default	0	0	0	0	0	0	0	0
Read/Write	R/W	R/W	R/W	R/W	R/W	R/W	R/W	R/W
Function	CRC SEED MSB							

Bits 7:0 CRC16 Seed Most Significant Byte. The MSB of the starting value of the CRC16 calculation.

Mnemonic	TX_CRC_LSB_ADR			Address				0x17
Bit	7	6	5	4	3	2	1	0
Default	-	-	-	-	-	-	-	-
Read/Write	R	R	R	R	R	R	R	R
Function	TX CRC LSB							

Bits 7:0 Calculated CRC16 LSB. The LSB of the CRC16 that was calculated for the last transmitted packet. This value is only valid after packet transmission is complete.

Mnemonic	TX_CRC_MSB_ADR			Address				0x18
Bit	7	6	5	4	3	2	1	0
Default	-	-	-	-	-	-	-	-



# WirelessUSB™ - UGWJ4US

Solutions for a Real Time World

Data Sheet

Read/Write	R	R	R	R	R	R	R	R
Function	TX CRC MSB							
Bits 7:0	Calculated CRC16 MSB. The MSB of the CRC16 that was calculated for the last transmitted packet. This value is only valid after packet transmission is complete.							

Mnemonic	RX_CRC_LSB_ADR			Address				0x19
Bit	7	6	5	4	3	2	1	0
Default	1	1	1	1	1	1	1	1
Read/Write	R	R	R	R	R	R	R	R
Function	RX CRC LSB							
Bits 7:0	Received CRC16 LSB. The LSB of the CRC16 field extracted from the last received packet. This value is valid whether or not The CRC16 field matched the calculated CRC16 of the received packet.							

Mnemonic	RX_CRC_MSB_ADR			Address				0x1A
Bit	7	6	5	4	3	2	1	0
Default	1	1	1	1	1	1	1	1
Read/Write	R	R	R	R	R	R	R	R
Function	RX CRC MSB							
Bits 7:0	Received CRC16 MSB. The MSB of the CRC16 field extracted from the last received packet. This value is valid whether or not The CRC16 field matched the calculated CRC16 of the received packet.							

Mnemonic	TX_OFFSET_LSB_ADR			Address				0x1B
Bit	7	6	5	4	3	2	1	0
Default	0	0	0	0	0	0	0	0
Read/Write	R/W	R	R	R	R	R	R	R
Function	STRIM LSB							
Bits 7:0	The least significant 8 bits of the synthesizer offset value. This is a 12-bit 2's complement signed number which may be used to offset the transmit frequency of the device by up to $\pm 1.5$ MHz. A positive value increases the transmit frequency, and a negative value reduces the transmit frequency. A value of +1 increases the transmit frequency by 732.6 Hz; a value of -1 decreases the transmit frequency by 732.6 Hz. A value of 0x0555 increases the transmit frequency by 1 MHz; a value of 0xAAB decreases the transmit frequency by 1 MHz. Typically, this register is loaded with 0x55 during initialization. Typically this feature is used to avoid the need to change the synthesizer frequency when switching between TX and RX. As the IF = 1 MHz the RX frequency is offset 1 MHz from the synthesizer frequency; therefore, transmitting with a 1 MHz offset allows the same synthesizer frequency to be used for both transmit and receive.							
Synthesizer offset has no effect on receive frequency.								

Mnemonic	TX_OFFSET_MSB_ADR			Address				0x1C
Bit	7	6	5	4	3	2	1	0



# WirelessUSB™ - UGWJ4US

Solutions for a Real Time World

Data Sheet

Default	-	-	-	-	0	0	0	0
Read/Write	-	-	-	-	R/W	R/W	R/W	R/W
Function	Not Used	Not Used	Not Used	Not Used	STRIM MSB			
Bits 7:4 Not Used								
Bits 3:0 The most significant 4 bits of the synthesizer trim value. Typically, this register is loaded with 0x05 during initialization.								

Mnemonic	MODE_OVERRIDE_ADR			Address				0x1D
Bit	7	6	5	4	3	2	1	0
Default	0	0	0	0	0	-	-	0
Read/Write	W	W	W	W	W	-	-	W
Function	RSVD	RSVD	FRC SEN	FRC AWAKE		Not Used	Not Used	RST
Bits 7:6 Reserved. Must be zero.								
Bit 5 Manually Initiate Synthesizer. Setting this bit forces the synthesizer to start. Clearing this bit has no effect. For this bit to operate correctly, the oscillator must be running before this bit is set.								
Bits 4:3 Force Awake. Force the device out of sleep mode. Setting both bits of this field forces the oscillator to keep running at all times regardless of the END STATE setting. Clearing both of these bits disables this function.								
Bits 2:1 Not Used.								
Bit 0 Reset. Setting this bit forces a full reset of the device. Clearing this bit has no effect.								

Mnemonic	RX_OVERRIDE_ADR			Address				0x1E
Bit	7	6	5	4	3	2	1	0
Default	0	0	0	0	0	0	0	-
Read/Write	R/W	R/W	R/W	R/W	R/W	R/W	R/W	-
Function	ACK RX	RXTX DLY	MAN RXACK	FRC RXDR	DIS CRC0	DIS RXCRC	ACE	Not Used
This register provides the ability to over-ride some automatic features of the device.								
Bit 7 When this bit is set, the device uses the transmit synthesizer frequency rather than the receive synthesizer frequency for the given channel when automatically entering receive mode.								
Bit 6 When this bit is set and ACK EN is enabled, the transmission of the ACK packet is delayed by 20 µs.								
Bit 5 Force Expected Packet Type. When this bit is set, and the device is in receive mode, the device is configured to receive an ACK packet at the data rate defined in TX_CFG_ADR.								
Bit 4 Force Receive Data Rate. When this bit is set, the receiver will ignore the data rate encoded in the SOP symbol, and will receive data at the data rate defined in TX_CFG_ADR.								
Bit 3 Reject packets with a zero-seed CRC16. Setting this bit causes the receiver to reject packets with a zero-seed, and accept only packets with a CRC16 that matches the seed in CRC_SEED_LSB_ADR and CRC_SEED_MSB_ADR.								
Bit 2 The RX CRC16 checker is disabled. If packets with CRC16 enabled are received, the CRC16 will be treated as payload data and stored in the receive buffer.								



# WirelessUSB™ - UGWJ4US

Solutions for a Real Time World

Data Sheet

Bit 1 Accept Bad CRC16. Setting this bit causes the receiver to accept packets with a CRC16 that do not match the seed in CRC\_SEED\_LSB\_ADR and CRC\_SEED\_MSB\_ADR. An ACK is to be sent regardless of the condition of the received CRC16.

Bit 0 Not Used.

Mnemonic	TX_OVERRIDE_ADR			Address				0x1F
Bit	7	6	5	4	3	2	1	0
Default	0	0	0	0	0	0	0	0
Read/Write	R/W	R/W	R/W	R/W	R/W	R/W	R/W	R/W
Function	ACK TX	FRC PRE	RSVD	MAN TXACK	OVRD ACK	DIS TXCRC	RSVD	TX INV

This register provides the ability to over-ride some automatic features of the device.

Bit 7 When this bit is set, the device uses the receive synthesizer frequency rather than the transmit synthesizer frequency for the given channel when automatically entering transmit mode.

Bit 6 Force Preamble. When this bit is set, the device will transmit a continuous repetition of the preamble pattern (see PREAMBLE\_ADR) after TX GO is set. This mode is useful for some regulatory approval procedures. Firmware should set bit RST of MODE\_OVERRIDE\_ADR to exit this mode.

Bit 5 Reserved. Must be zero.

Bit 4 Transmit ACK Packet. When this bit is set, the device sends an ACK packet when TX GO is set.

Bit 3 ACK Override. Use TX\_CFG\_ADR to determine the data rate and the CRC16 used when transmitting an ACK packet.

Bit 2 Disable Transmit CRC16. When set, no CRC16 field is present at the end of transmitted packets.

Bit 1 Reserved. Must be zero.

Bit 0 TX Data Invert. When this bit is set the transmit bitstream is inverted.

Mnemonic	XTAL_CFG_ADR			Address				0x26
Bit	7	6	5	4	3	2	1	0
Default	0	0	0	0	0	0	0	0
Read/Write	W	W	W	W	W	W	W	W
Function	RSVD	RSVD	RSVD	RSVD	START DLY	RSVD	RSVD	RSVD

This register provides the ability to over-ride some automatic features of the device.

Bit 7:4 Reserved. Must be zero

Bit 6 Crystal Startup Delay. Setting this bit, sets the crystal startup delay to 150uSec to handle warm restarts of the crystal. Firmware MUST set this bit during initialization.

Bits 2:0 Reserved. Must be zero.



# WirelessUSB™ - UGWJ4US

Solutions for a Real Time World

Data Sheet

Mnemonic	CLK_OVERRIDE_ADR			Address				0x27
Bit	7	6	5	4	3	2	1	0
Default	0	0	0	0	0	0	0	0
Read/Write	W	W	W	W	W	W	W	W
Function	RSVD	RSVD	RSVD	RSVD	RSVD	RSVD	RXF	RSVD

This register provides the ability to over-ride some automatic features of the device.

Bits 7:2 Reserved. Must be zero

Bit 1 Force Receive Clock. Streaming applications MUST set this bit during receive mode, otherwise this bit is cleared.

Bit 0 Reserved. Must be zero.

Mnemonic	CLK_EN_ADR			Address				0x28
Bit	7	6	5	4	3	2	1	0
Default	0	0	0	0	0	0	0	0
Read/Write	W	W	W	W	W	W	W	W
Function	RSVD	RSVD	RSVD	RSVD	RSVD	RSVD	RXF	RSVD

This register provides the ability to over-ride some automatic features of the device.

Bits 7:2 Reserved. Must be zero

Bit 1 Force Receive Clock Enable. Streaming applications MUST set this bit during initialization.

Bit 0 Reserved. Must be zero.

Mnemonic	RX_ABORT_ADR			Address				0x29
Bit	7	6	5	4	3	2	1	0
Default	0	0	0	0	0	0	0	0
Read/Write	W	W	W	W	W	W	W	W
Function	RSVD	RSVD	ABORT EN	RSVD	RSVD	RSVD	RSVD	RSVD

This register provides the ability to over-ride some automatic features of the device.

Bits 7:6 Reserved. Must be zero

Bit 5 Receive Abort Enable. Typical applications will disrupt any pending receive by first setting this bit, otherwise this bit is cleared.

Bit 4:0 Reserved. Must be zero.



# WirelessUSB™ - UGWJ4US

Solutions for a Real Time World

Data Sheet

Mnemonic	AUTO_CAL_TIME_ADR			Address				0x32
Bit	7	6	5	4	3	2	1	0
Default	0	0	0	0	0	0	1	1
Read/Write	W	W	W	W	W	W	W	W
Function	AUTO_CAL_TIME							
This register provides the ability to over-ride some automatic features of the device.								
Bits 7:6 Auto Cal Time. Firmware MUST write 3Ch to this register during initialization.								

Mnemonic	AUTO_CAL_OFFSET_ADR			Address				0x35
Bit	7	6	5	4	3	2	1	0
Default	0	0	0	0	0	0	0	0
Read/Write	W	W	W	W	W	W	W	W
Function	AUTO_CAL_OFFSET							
This register provides the ability to over-ride some automatic features of the device.								
Bits 7:0 Auto Cal Offset. Firmware MUST write 14h to this register during initialization.								

Mnemonic	ANALOG_CTRL_ADR			Address				0x39
Bit	7	6	5	4	3	2	1	0
Default	0	0	0	0	0	0	0	0
Read/Write	W	W	W	W	W	W	W	W
Function	RSVD	RSVD	RSVD	RSVD	RSVD	RSVD	RX INV	ALL SLOW
This register provides the ability to over-ride some automatic features of the device.								
Bits 7:2 Reserved. Must be zero								
Bit 1 Receive Invert. When set, the incoming receive data is inverted. Firmware MUST set this bit when interoperability with JUNO (CYUSB6934/35) is desired.								
Bit 0 All Slow. When set, the synth setting time for all channels is the same as for slow channels. It is recommended that the firmware set this bit When using GFSK data mode.								

## Register Files

Re-Tek - 1459  
 94539  
[support@unigen.com](mailto:support@unigen.com)  
<http://www.unigen.com>

45388 Warm Springs Blvd. Fremont, CA  
 TEL: (510) 668.2088 FAX: (510) 661.2788  
 Customer Comment Line: (800) 826.0808





# WirelessUSB™ - UGWJ4US

Solutions for a Real Time World

Data Sheet

Files are written to or read from using non-incrementing burst read or write transactions. In most cases accessing a file may be destructive; the file must be completely read/written, otherwise the contents may be altered. When accessing file registers, the bytes are presented to the bus least significant byte first.

Mnemonic	TX_BUFFER_ADR	Address	0x20
Length	16 Bytes	R/W	W
Default	0xFFFFFFFFFFFFFFFFFFFFFFFFFFFFFFFF		

The transmit buffer is a FIFO. Writing to this file adds a byte to the packet being sent. Writing more bytes to this file than the packet length in TX\_LENGTH\_ADR will have no effect, and these bytes will be lost. The FIFO accumulates data until it is reset via TX CLR in TX\_CTRL\_ADR. A previously sent packet, of 16 bytes or less, can be transmitted if TX\_GO is set without resetting the FIFO. The contents of TX\_BUFFER\_ADR is not affected by the transmission of an Auto ACK.

Mnemonic	RX_BUFFER_ADR	Address	0x21
Length	16 Bytes	R/W	R
Default	0xFFFFFFFFFFFFFFFFFFFFFFFFFFFFFFFF		

The receive buffer is a FIFO. Received bytes may be read from this file register at any time that it is not empty, but when reading from this file register before a packet has been completely received care must be taken to ensure that error packets (for example with bad CRC16) are handled correctly.

When the receive buffer is configured to be overwritten by new packets (the alternative is for new packets to be discarded if the receive buffer is not empty), similar care must be taken to verify after the packet has been read from the buffer that no part of it was overwritten by a newly received packet while this file register is being read.

When the VLD EN bit in RX\_CFG\_ADR is set, the bytes in this file register alternate—the first byte read is data, the second byte is a valid flag for each bit in the first byte, the third byte is data, the fourth byte valid flags, etc. In SDR and DDR modes the valid flag for a bit is set if the correlation coefficient for the bit exceeded the correlator threshold, and is cleared if it did not. In 8DR mode, the MSB of a valid flags byte indicates whether or not the correlation coefficient of the corresponding received symbol exceeded the threshold. The seven LSBs contain the number of erroneous chips received for the data.

Mnemonic	SOP_CODE_ADR	Address	0x22
Length	8 Bytes	R/W	R/W
Default	0x17FF9E213690C782		

When using 32 chip SOP\_CODE\_ADR codes, only the first four bytes of this register are used; in order to complete the file write process, these four bytes must be followed by four bytes of “dummy” data. However, a class of codes known as “multiplicative codes” may be used; there are 64 chip codes with good auto-correlation and cross-correlation properties where the least significant 32 chips themselves have good autocorrelation and cross-correlation properties when used as 32-chip codes. In this case the same eight-byte value may be loaded into this file and used for both 32 chip and 64 chip SOP symbols.

When reading this file, all eight bytes must be read; if fewer than eight bytes are read from the file, the contents of the file will have been rotated by the number of bytes read. This applies to writes, as well.

Recommended SOP Codes:

0x91CCF8E291CC373C  
 0x0FA239AD0FA1C59B  
 0x2AB18FD22AB064EF  
 0x507C26DD507CCD66  
 0x44F616AD44F6E15C  
 0x46AE31B646AECC5A  
 0x3CDC829E3CDC78A1  
 0x7418656F74198EB9  
 0x49C1DF6249C0B1DF  
 0x72141A7F7214E597



# WirelessUSB™ - UGWJ4US

Solutions for a Real Time World

Data Sheet

Mnemonic	DATA_CODE_ADR	Address	0x23
Length	16 Bytes	R/W	R/W
Default	0x02F9939702FA5CE3012BF1DB0132BE6F		
<p>In GFSK mode, this file register is ignored.</p> <p>In 64-SDR mode, only the first eight bytes are used.</p> <p>In 32-DDR mode, only eight bytes are used. The format for these eight bytes: 0x00000000BBBBBBBB00000000AAAAAAA, where "0" represents unused locations. Example: 0x00000000B2BB092B00000000B86BC0DC; where "B86BC0DC" represents AAAAAAAA, "00000000" represents unused locations, "B2BB092B" represents BBBBBBBB, and "00000000" represents unused locations.</p> <p>In 64-DDR and 8DR modes, all sixteen bytes are used.</p> <p>When reading this file, all sixteen bytes must be read; if fewer than sixteen bytes are read from the file, the contents of the file will have been rotated by the number of bytes read. This applies to writes, as well.</p> <p>Certain sixteen-byte sequences have been calculated that provide excellent auto-correlation and cross-correlation properties, and it is recommended that such sequences be used; the default value of this register is one such sequence. In typical applications, all devices use the same DATA_CODE_ADR codes, and devices and systems are addressed by using different SOP_CODE_ADR codes; in such cases it may never be necessary to change the contents of this register from the default value.</p> <p>Typical applications should use the default code.</p>			

Mnemonic	PREAMBLE_ADR	Address	0x24
Length	3 Bytes	R/W	R/W
Default	0x333302		
<p>1st byte – The number of repetitions of the preamble sequence that are to be transmitted. The preamble may be disabled by writing 0x00 to this byte.</p> <p>2nd byte – Least significant eight chips of the preamble sequence</p> <p>3rd byte – Most significant eight chips of the preamble sequence</p> <p>If using 64-SDR to communicate with CYWUSB69xx devices, set number of repetitions to four for optimum performance</p> <p>When reading this file, all three bytes must be read; if fewer than three bytes are read from the file, the contents of the file will have been rotated by the number of bytes read. This applies to writes, as well.</p>			

Mnemonic	MFG_ID_ADR	Address	0x25
Length	6 Bytes	R	R
Default	N/A		
<p>To minimize ~190µA of current consumption (default), execute a "dummy" single-byte SPI write to this address with a zero data stage after the contents have been read. Non-zero to enable reading of fuses. Zero to disable reading fuses.</p>			

**DC Characteristics** (T = 25°C, V<sub>BAT</sub> = 2.4V, PMU disabled, f<sub>OSC</sub> = 12.000000MHz)  
**LETO-LPAPB only**

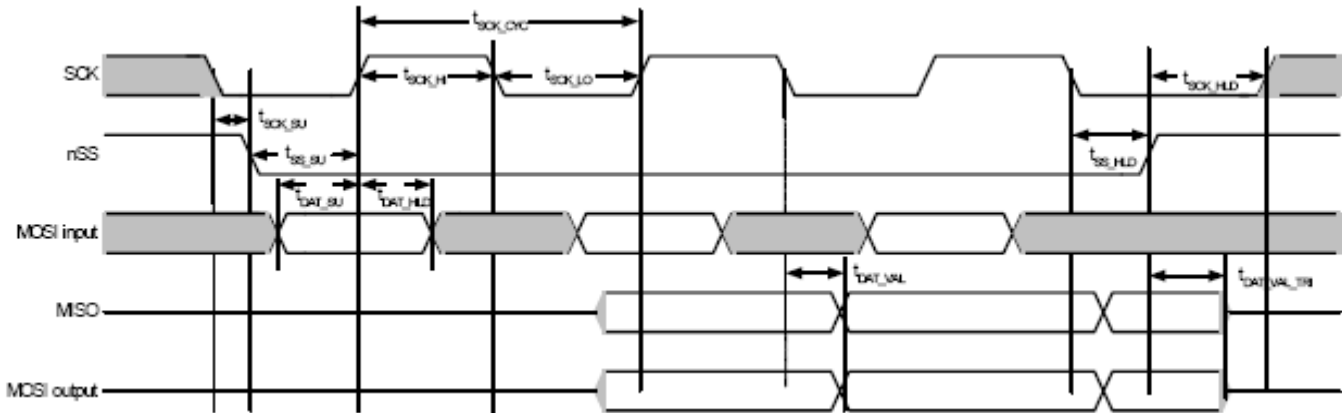
Parameter	Description	Conditions	Min	Typ.	Max.	Unit
LOAD_EXT	Average PMU External Load Current	V <sub>BAT</sub> = 1.8V, V <sub>REG</sub> = 2.73V, 0-50°C, RX Mode			15	mA
LOAD_EXT	Average PMU External Load Current	V <sub>BAT</sub> = 1.8V, V <sub>REG</sub> = 2.73V, 50-70°C, RX Mode			10	mA

**AC Characteristics**

**SPI Interface**

Parameter	Description	Min	Typ.	Max.	Unit
<sup>t</sup> SCK_CYC	SPI Clock Period	238.1			ns
<sup>t</sup> SCK_HI	SPI Clock High Time	100			ns
<sup>t</sup> SCK_LO	SPI Clock Low Time	100			ns
<sup>t</sup> DAT_SU	SPI Input Data Set-up Time	25			ns
<sup>t</sup> DAT_HLD	SPI Input Data Hold Time	10			ns
<sup>t</sup> DAT_VAL	SPI Output Data Valid Time	0		50	ns
<sup>t</sup> DAT_VAL_TRI	SPI Output Data Tri-state (MOSI from Slave Select Deassert)			20	ns
<sup>t</sup> SS_SU	SPI Slave Select Set-up Time before first positive edge of SCK[14]	10			ns
<sup>t</sup> SS_HLD	SPI Slave Select Hold Time after last negative edge of SCK	10			ns
<sup>t</sup> SS_PW	SPI Slave Select Minimum Pulse Width	20			ns
<sup>t</sup> SCK_SU	SPI Slave Select Set-up Time	10			ns
<sup>t</sup> SCK_HLD	SPI SCK Hold Time	10			ns
<sup>t</sup> RESET	Minimum RST pin pulse width	10			ns

## SPI Timing

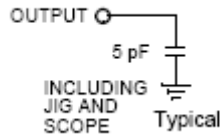
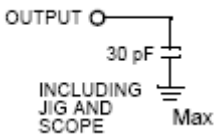


### Notes

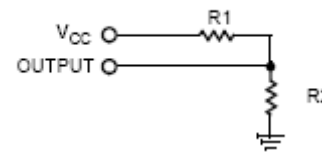
- 12. AC values are not guaranteed if voltage on any pin exceed  $V_{IO}$ .
- 13. CLOAD = 30 pF.
- 14. SCK must start low at the time SS goes low, otherwise the success of SPI transactions are not guaranteed.

## AC Test Loads and Waveforms for Digital Pins

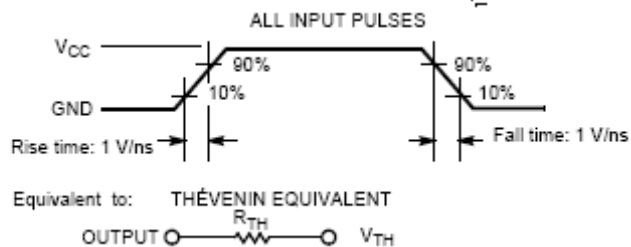
### AC Test Loads



### DC Test Load



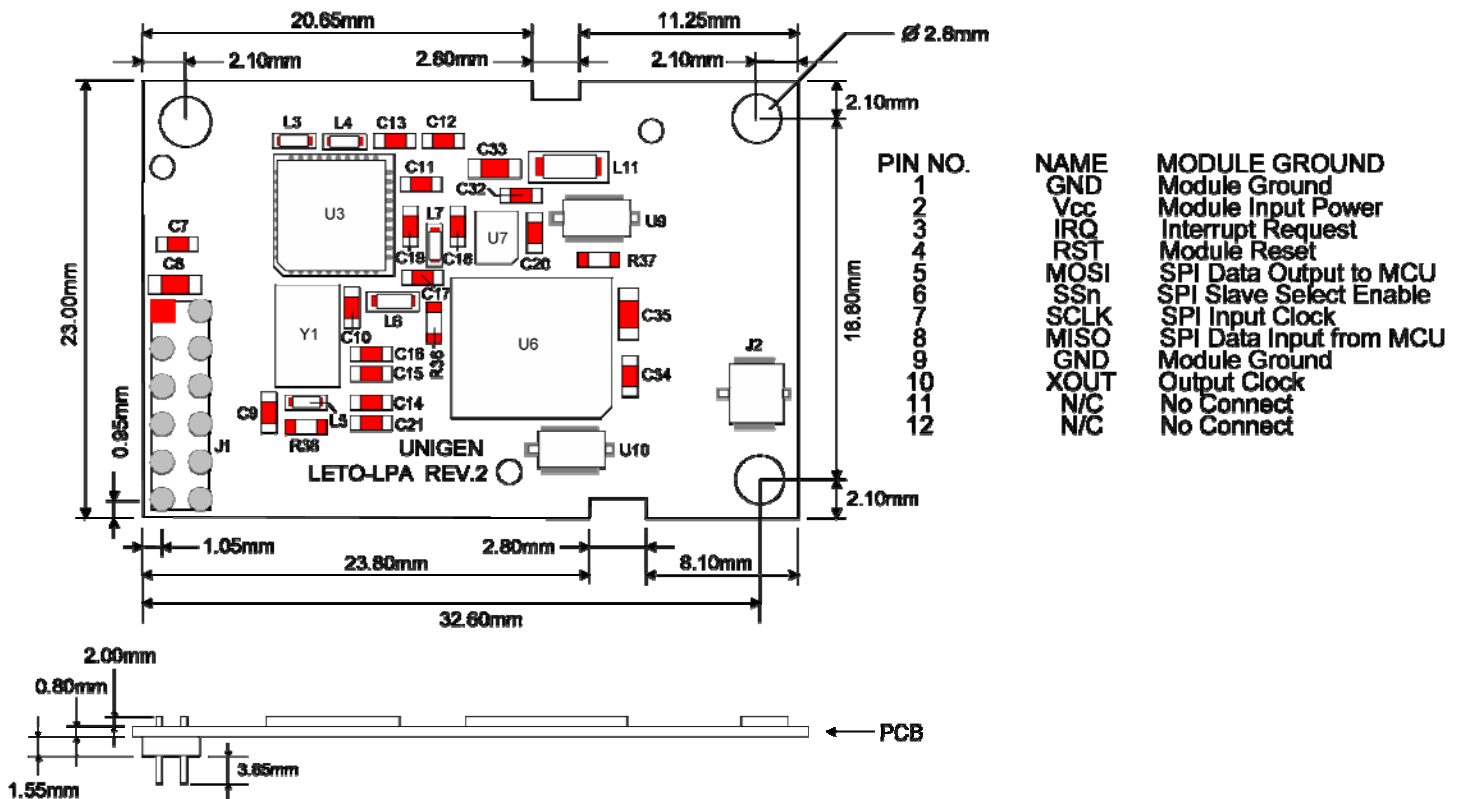
Parameter		Unit
R1	1071	$\Omega$
R2	937	$\Omega$
R <sub>TH</sub>	500	$\Omega$
V <sub>TH</sub>	1.4	V
V <sub>CC</sub>	3.00	V



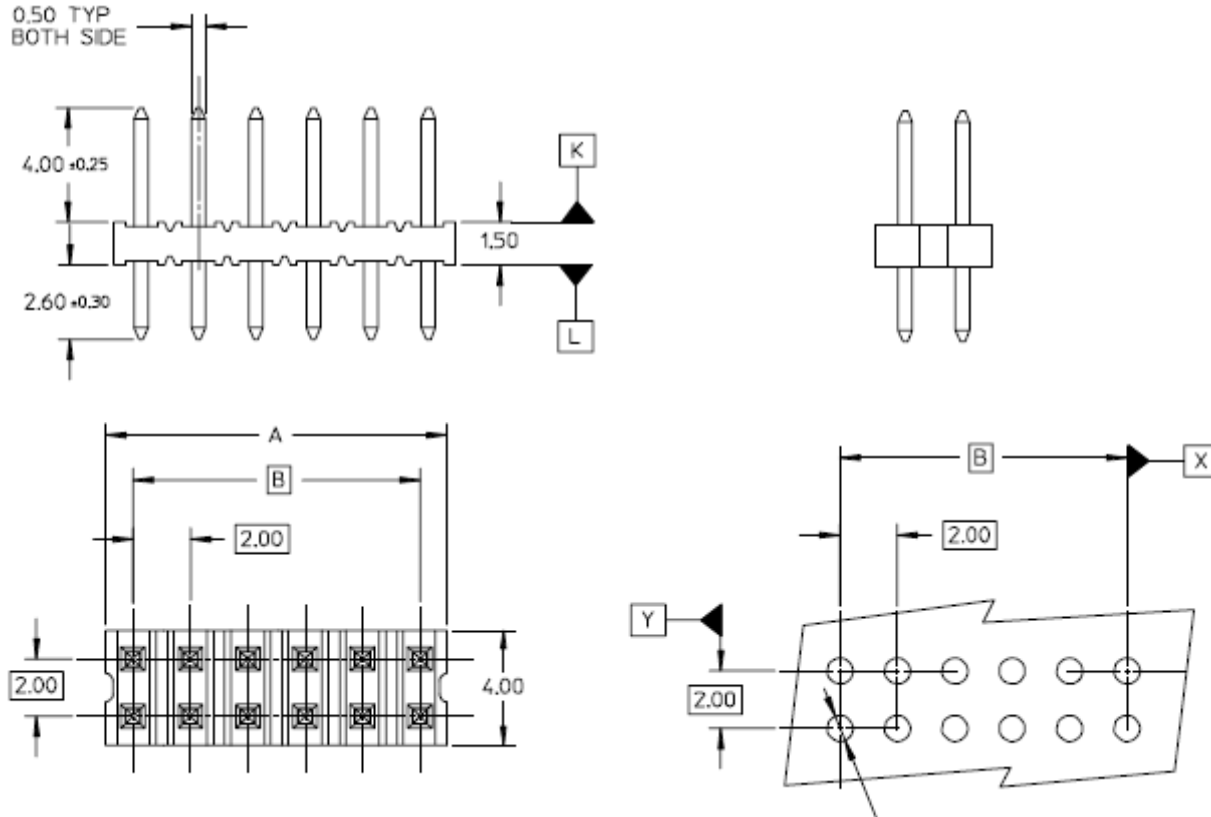
## MECHANICAL CHARACTERISTICS:

Item	Description	Specification
1	PCB Material	FR-4
2	PCB Layers	4
3	Connector Type	Straight thru-hole or header, right angle thru-hole or header, Please see Table 4 for pin assignments
4	PCB Number	1
5	Flammability Rating	UL94 V-0
6	UGWJ4US Dimensions	1.36" x 0.90" x 0.225" (34.7mm x 23.0mm x 6.0 mm*) *board to board height
8	Antenna Cable Connector	Mini Co-Axial
9	User Serviceable Parts	None

## MECHANICAL DRAWINGS:



## Header Drawings (Molex P/N 87758-1216)



## ORDERING INFORMATION: \*

### Typical Applications

Unigen Product Group – Wireless -	Form Factor	WirelessUSB Tech	Connection	Connector Type	Voltage	Antenna
UGW	J	4US (CYRF6936)	HN	Mirrored 2x6 Header	33=3.3Vdc	Blank=Mini Coaxial

\*Module based on the Cypress Semiconductor CYRF6936-48 WirelessUSB™ LP 2.4GHz DSSS Radio SoC device.

Contact your Unigen Sales Representative for additional information or visit the Nexus™ Wireless Products section of our web site ([www.unigen.com](http://www.unigen.com)).



# WirelessUSB™ - UGWJ4US

Solutions for a Real Time World

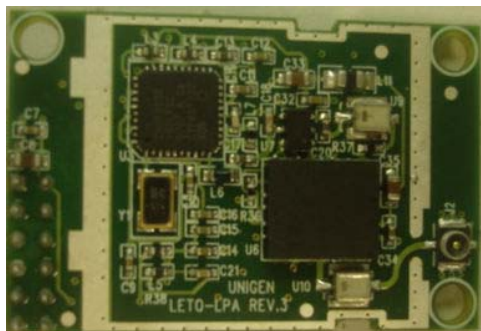
Data Sheet

## CONTACT INFORMATION:

### CORPORATE HEADQUARTERS

Unigen Corporation  
45388 Warm Springs Boulevard  
Fremont, CA 94539

Telephone:	1.510.688.2088
Fax:	1.510.661.2788
Email:	Support@unigen.com
Web:	www.unigen.com
Customer Comment:	1.800.826.0808



The WirelessUSB™ modules are highly integrated 2.4-GHz Direct Sequence Spread Spectrum (DSSS) Radio System-on-Chip (SoC) ICs.

From the Serial Peripheral Interface (SPI) to the antenna, these ICs are single-chip 2.4-GHz DSSS Gaussian Frequency Shift Keying (GFSK) baseband modems that connect directly to a USB controller or a standard microcontroller.

The Radio certification is available on the FCC web site and may be “grandfathered” into your design. However, customers will need to submit their end-product for individual compliance certification. The modules feature a robust SPI interface.

### Technical Specification

#### Wireless

##### Frequency band

Operate in ISM band (2.4 – 2.483 GHz)

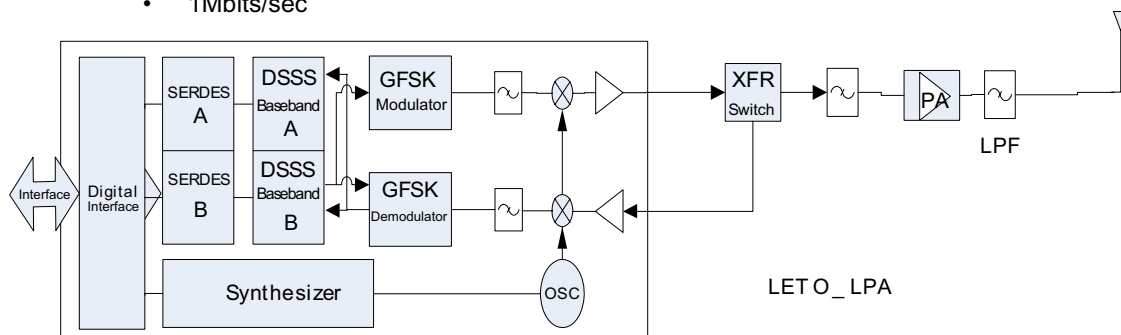
- 2.412 – 2.462 GHz (US)
- 2.412 – 2.484 GHz (Japan)
- 2.412 – 2.472 GHz (Europe/TSI)
- 2.457 – 2.462 GHz (Spain)
- 2.457 – 2.472 GHz (France)

##### Modulation Technique

- DSSS (GFSK)

##### Data rate

- 1Mbits/sec



#### General and Electrical

##### Supply voltage

- 2.7- 3.6 Volt

##### Current Consumption

- Maximum 350 mA Peak (LPA Module), 25 mA RMS

##### Temperature

- Operating -40C to 85 C
- Storage -40C to 85 C

##### Humidity

- Operating 10% to 90% RH NC @ 50 C
- Storage 5% to 90% RH NC @ 60 C

##### Module Data Input

- SPI

#### Mechanical

Size (Juno LPA): 1.30"x1.29" PCB

##### Orientation

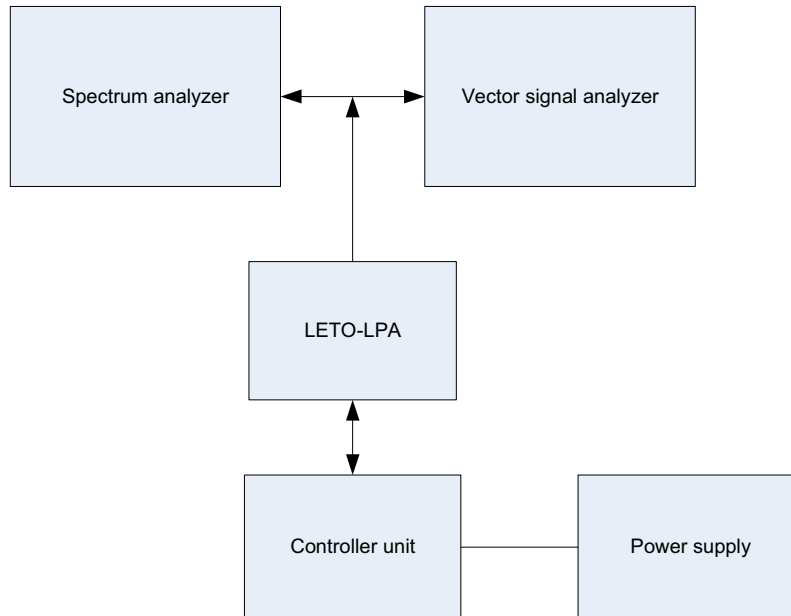
- Horizontal

##### Connectors

- Bare (ribbon cable ready)
- Through Hole



## Test Setup Diagram

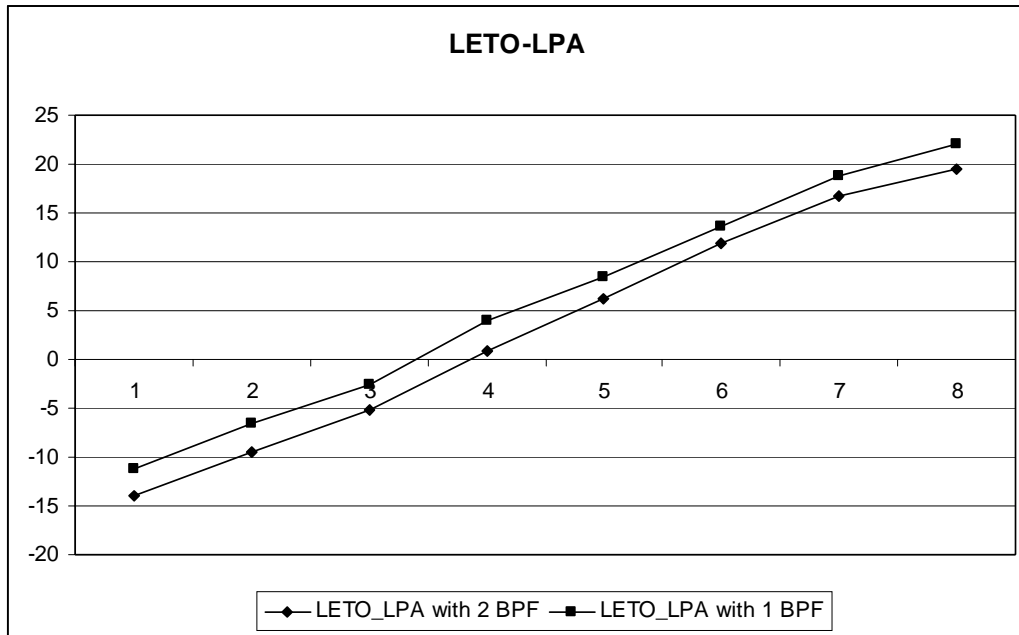


Controller unit (MAITDM3 ) install firmware name  
“testing board\_cy8c27443\_24pvi(PA7)”

### Test Parameter

- **Output Power :**

When performing tests that use direct port-to-port connections, the power output specifications are measured by a spectrum analyzer in time domain mode by setting zero span. The sweep time is adjusted to measure the maximum output power. This measurement already includes the effects of the transmitter and cable loss.



LETO-LPA with 2 BPF	LETO-LPA with 1 BPF
19.48	22.05
16.73	18.84
11.87	13.58
6.24	8.41
0.83	3.92
-5.11	-2.57
-9.52	-6.59
-13.99	-11.15

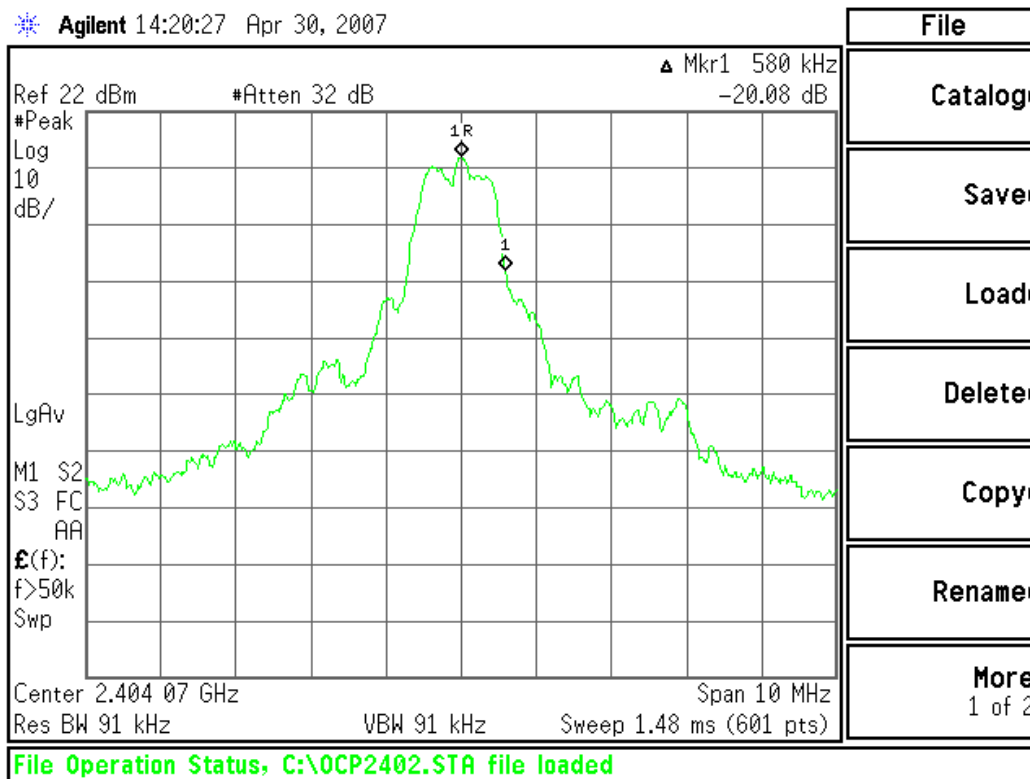
### Power Density :

The power density measurement provides the peak power density in a 3 kHz bandwidth. Maximum density permitted is 8dBm/3kHz.

Channel	Frequency (MHz)	RBW & VBW	Output power (dBm)
Low	2402	3kHz	-0.5
Mid	2442	3kHz	-2.93
High	2480	3kHz	1.02

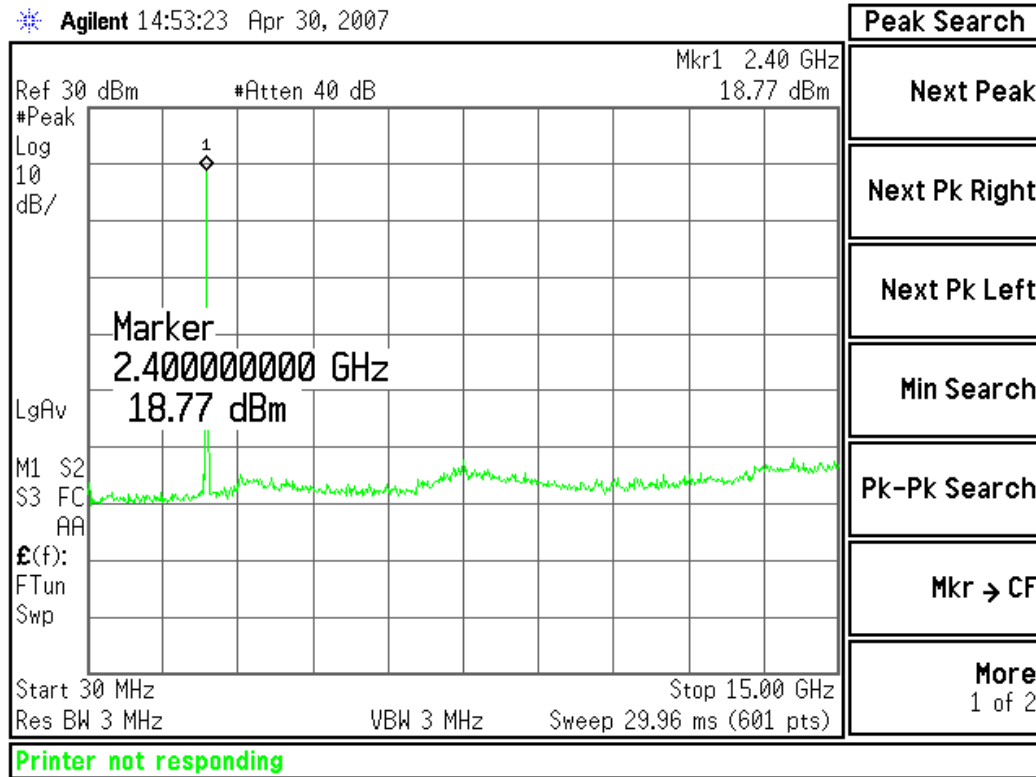
- 20 dB bandwidth:** This test is performed at the lowest, middle, and highest frequency channels. The peak RF level is recorded as a reference point. Then, the frequency difference between the reference point and the points where their power drops by 20 dB to both directions (99% bandwidth measurement) can be found. If this 99% bandwidth is greater than 1.5 MHz, eye diagram will be closed.

Channel	Frequency (MHz)	RBW & VBW	IC RSS-210 (99%) (kHz) Rev F
Low	2402	100kHz	600
Mid	2442	100kHz	600
High	2480	100kHz	600



- **Frequency Spectrum**

Set frequency between 30 MHz to 12.75 GHz.



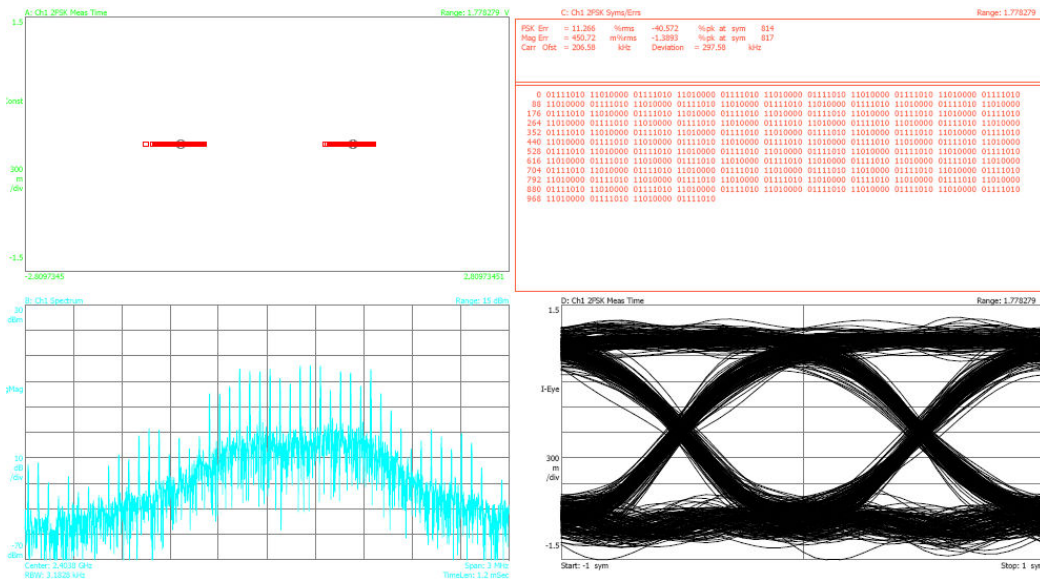
\* Frequency spectrum when PA=7

### Eye diagram

- FSK Err = 11.266 %rms -40.572 %pk at sym 814
- Mag Err = 450.72 m%rms -1.3893 %pk at sym 817
- Carr Ofst = 206.58 kHz Deviation = 297.58 kHz

### Modulation property

- FSK 2
- 1 MHz symbol rate
- Gaussian filter , Alpha/B0.7





# WirelessUSB™ - UGWJ4US

Solutions for a Real Time World

Data Sheet

## CONTACT INFORMATION:

### CORPORATE HEADQUARTERS

Unigen Corporation  
45388 Warm Springs Boulevard  
Fremont, CA 94539

Telephone:	1.510.688.2088
Fax:	1.510.661.2788
Email:	Support@unigen.com
Web:	www.unigen.com
Customer Comment:	1.800.826.0808