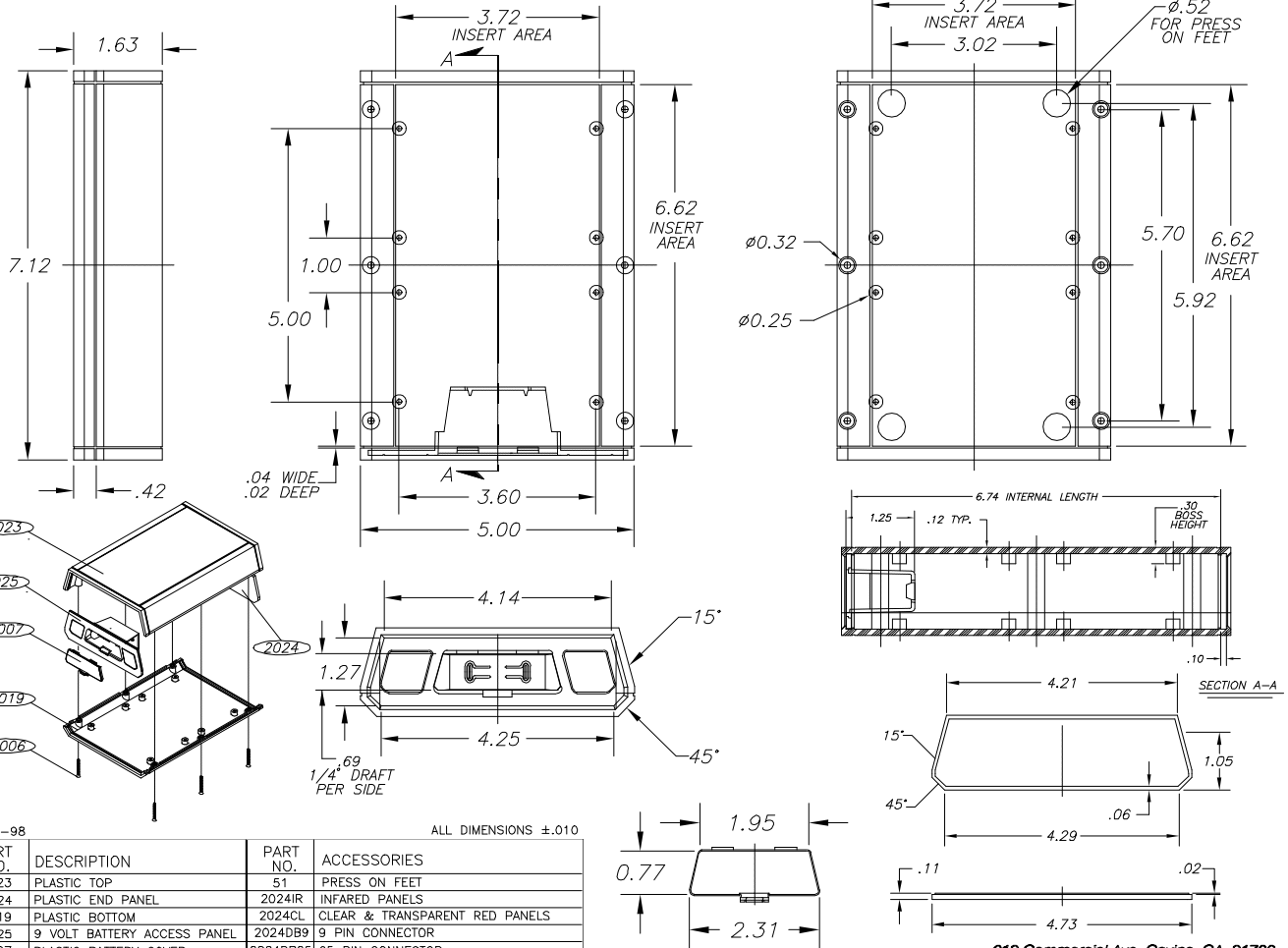


SERPAC A-42,9V

Electronics Enclosures

NOTES:

1. WHEN MACHINE OR I PLATES MODIFICATIONS ARE REQUIRED, USE THE CENTER OF THE BOX TO DIMENSION.



10-12-98

ALL DIMENSIONS ±.010

PART NO.	DESCRIPTION	PART NO.	ACCESSORIES
2023	PLASTIC TOP	51	PRESS ON FEET
2024	PLASTIC END PANEL	2024IR	INFRARED PANELS
2019	PLASTIC BOTTOM	2024CL	CLEAR & TRANSPARENT RED PANELS
2025	9 VOLT BATTERY ACCESS PANEL	2024DB9	9 PIN CONNECTOR
2007	PLASTIC BATTERY COVER	2024DB25	25 PIN CONNECTOR
6006	SCREW		

619 Commercial Ave. Covina, CA 91723

(626) 331-0517 Fax (626) 331-8584 <http://www.serpac.com>