

MICRO SWITCH

FREERPORT ILLINOIS, U.S.A
A DIVISION OF HONEYWELL
FED, MFG CODE 91929

SWITCH - BASIC

CATALOG LISTING

BE-2R059-A41

BE-2R059-A41
PAGE 1 OF 1

M

DRAWING NUMBER

X

X

ISSUE

4

X

REVISIONS

A C039564
S L B
2 MAR 78

B C
58782

WJM
25 JAN 86

C 204993

G J W
11 MAR 02

CHECK

CHECK

CHECK

CHECK

CHECK

CHECK

CHECK

CHECK

CHECK

CHECK

CHECK

CHECK

CHECK

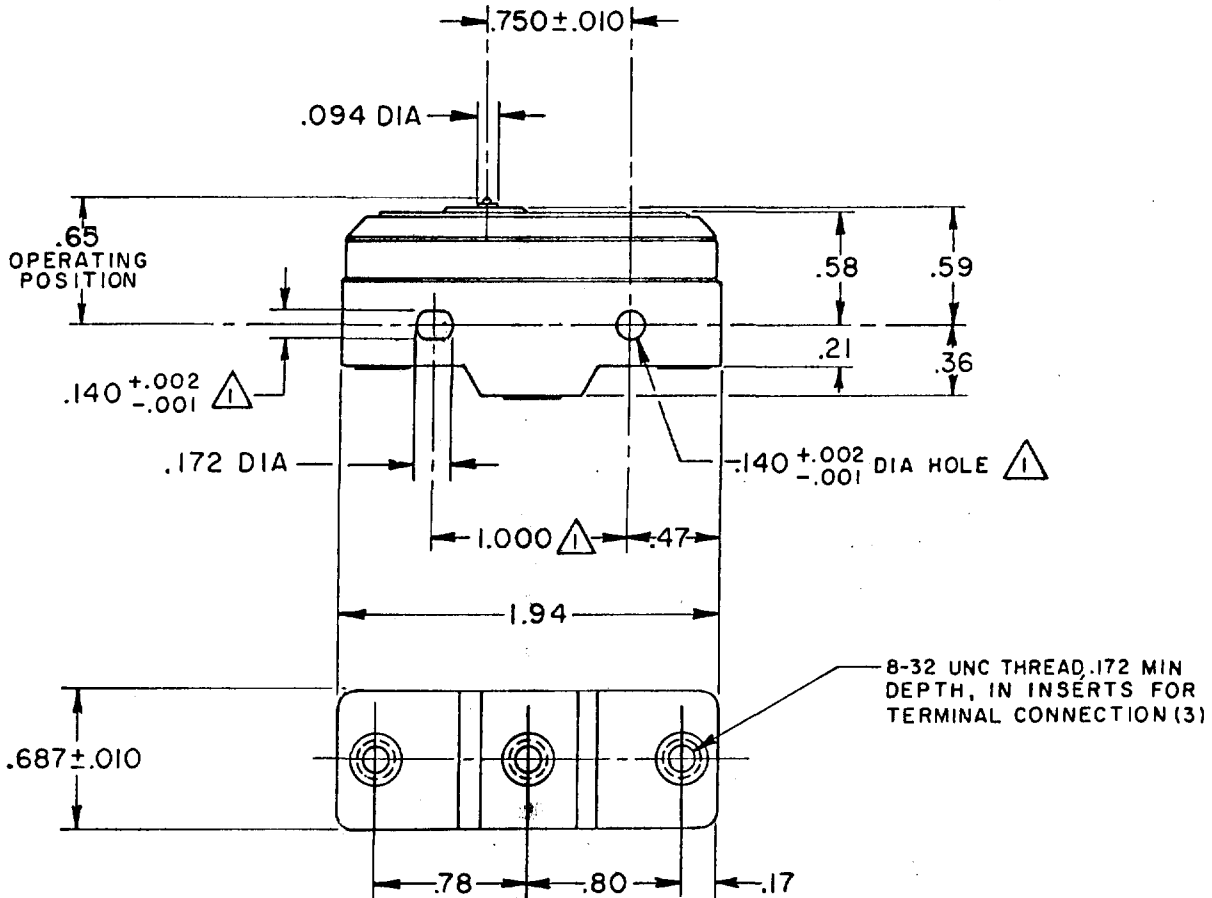
CHECK

CHECK

CHECK

CHECK

CHECK



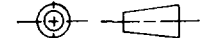
NOTE -

1 - MOUNTING HOLES WILL ACCEPT PINS OR SCREWS OF .139 MAX DIA ON 1.000 ± .002 CENTERS

2 - PLASTIC MATERIAL USED:
CASE - - - - DUREZ 16274 OR EQUIVALENT (NORMALIZED)
COVER - - - - GE 12983 OR EQUIVALENT (NORMALIZED)
PLUNGER - - - GE EF-4530 OR EQUIVALENT

THIS DRAWING COVERS A PROPRIETARY ITEM AND IS THE PROPERTY OF MICRO SWITCH, A DIVISION OF HONEYWELL. THIS DRAWING IS NOT TO BE COPIED OR USED WITHOUT THE APPROVAL OF MICRO SWITCH.

THIRD ANGLE PROJECTION



CHARACTERISTICS

OPERATING FORCE - - - - 24 OZ MAX

RELEASE FORCE - - - - 10 OZ MIN

DIFFERENTIAL TRAVEL - - - .0075 MAX

OVERTRAVEL - - - - .015 MIN

ELECTRICAL DATA

CONTACT ARRANGEMENT
S P D T

25A-125, 250, 480VAC
1HP-125VAC; 2HP-250 or 480VAC
PILOT DUTY 750VA-480VAC, MAX
60/75°C (Cu)



SCALE FULL

DO NOT SCALE PRINT

TOLERANCES

APPLY TO DESIGN UNITS. CONVERSIONS ARE ONLY FOR REFERENCE. UNLESS NOTED, TOLERANCES ARE ±

DIM.	TOL.	DIV.	TOL.
mm	mm/in	in	mm/in
NO PLACES	X	1/64	X X
ONE PLACE	X.X	0.4/.016	X X X
TWO PLACES	X.XX	0.15/.006	X X X X
THREE PLACES	X.XXX		X X X X X
ANGLES			

SI METRIC

US CUSTOMARY

DESIGN UNITS

WEIGHT

FO-52848-A

DRAWN

K P K123 FEB 77

RELEASE NO. PR-6352 REPLACES

RASTER