

**MICRO SWITCH**

FREEPORT ILLINOIS, U.S.A  
A DIVISION OF HONEYWELL

FED. MFG. CODE 91929

**SWITCH - BASIC**

CATALOG LISTING

**BE-2R25-A4**

**BE-2R25-A4**

**M**

DRAWING NUMBER

ISSUE

5

ISSUE

5

REPLACES

RELEASE NO. PR-1930

CHECK

REVISIONS

A	CO	36627	C J H	6 APR 76
B	CO	58782	W J M	24 JAN 86
C	CO	73287-G	J A L	20 OCT 93
D	CO	77588	K D R	29 MAR 94

CHECK

23 JUN 71

LSD

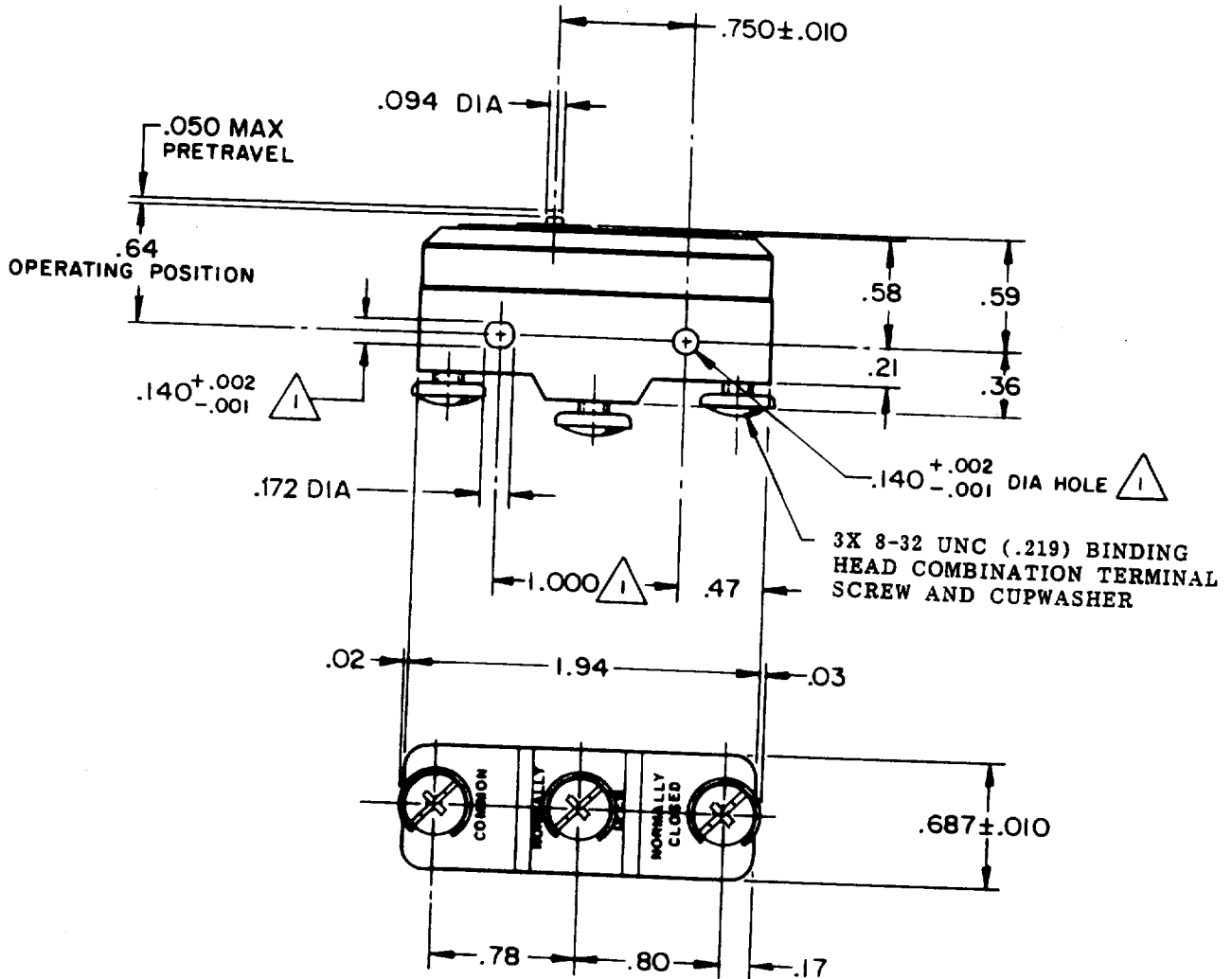
CHECK

21 JUN 71

O-50378-1A

DRAWN

OMW



NOTE -  
MOUNTING HOLES WILL ACCEPT PINS OR SCREWS OF .139 MAX DIA ON 1.000 ± .002 CENTERS

THIS DRAWING COVERS A PROPRIETARY ITEM AND IS THE PROPERTY OF MICRO SWITCH, A DIVISION OF HONEYWELL. THIS DRAWING IS NOT TO BE COPIED OR USED WITHOUT THE APPROVAL OF MICRO SWITCH.

**CHARACTERISTICS**

OPERATING FORCE	-----14 - 22 OZ
RELEASE FORCE	----- 10 OZ MIN
DIFFERENTIAL TRAVEL	----- .002 - .004
OVERTRAVEL	----- .010 MIN

**ELECTRICAL DATA**

CONTACT ARRANGEMENT S P D T
25-A-125, 250, 480 VAC 1 HP-125 VAC; 2 HP-250 OR 480 VAC; PILOT DUTY 750 VA-480 VAC, MAX; 60/75°C (Cu)



**SCALE FULL**

DO NOT SCALE PRINT

UNLESS OTHERWISE NOTED

DIMENSIONS ARE IN INCHES

**TOLERANCES ARE:**

ONE PLACE (.0)	± .030
TWO PLACE (.00)	± .015
THREE PLACE (.000)	± .005
ANGLES	± .005

WEIGHT .063 LB