



MICRO SWITCH

FREEDPORT, ILLINOIS, U.S.A.
A DIVISION OF HONEYWELL

FED. MFG. CODE 91829

SWITCH - BASIC

CATALOG LISTING

BZ-2R5551-A2

BZ-2R5551-A2
PAGE 1 OF 1

M
DRAWING NUMBER

ISSUE
10

REPLACES

RELEASE NO. PR-1008

CHECK

REVISIONS

A	CO17410	8 CH 25 AUG 63
B	CO19115	LLD 13 APR 64
C	CO20290	LRW 18 JUN 69
D	PR-1008	8 CH 10 DEC 69
E	CO67209	JAP 3 MAY 90
F	CO-73287-B	DHD 17 MAY 93
G	CO-77589	KDR 29 MAR 94
H	CO93346	DLT 4 SEP 98

CHECK

CHECK

CHECK

CHECK

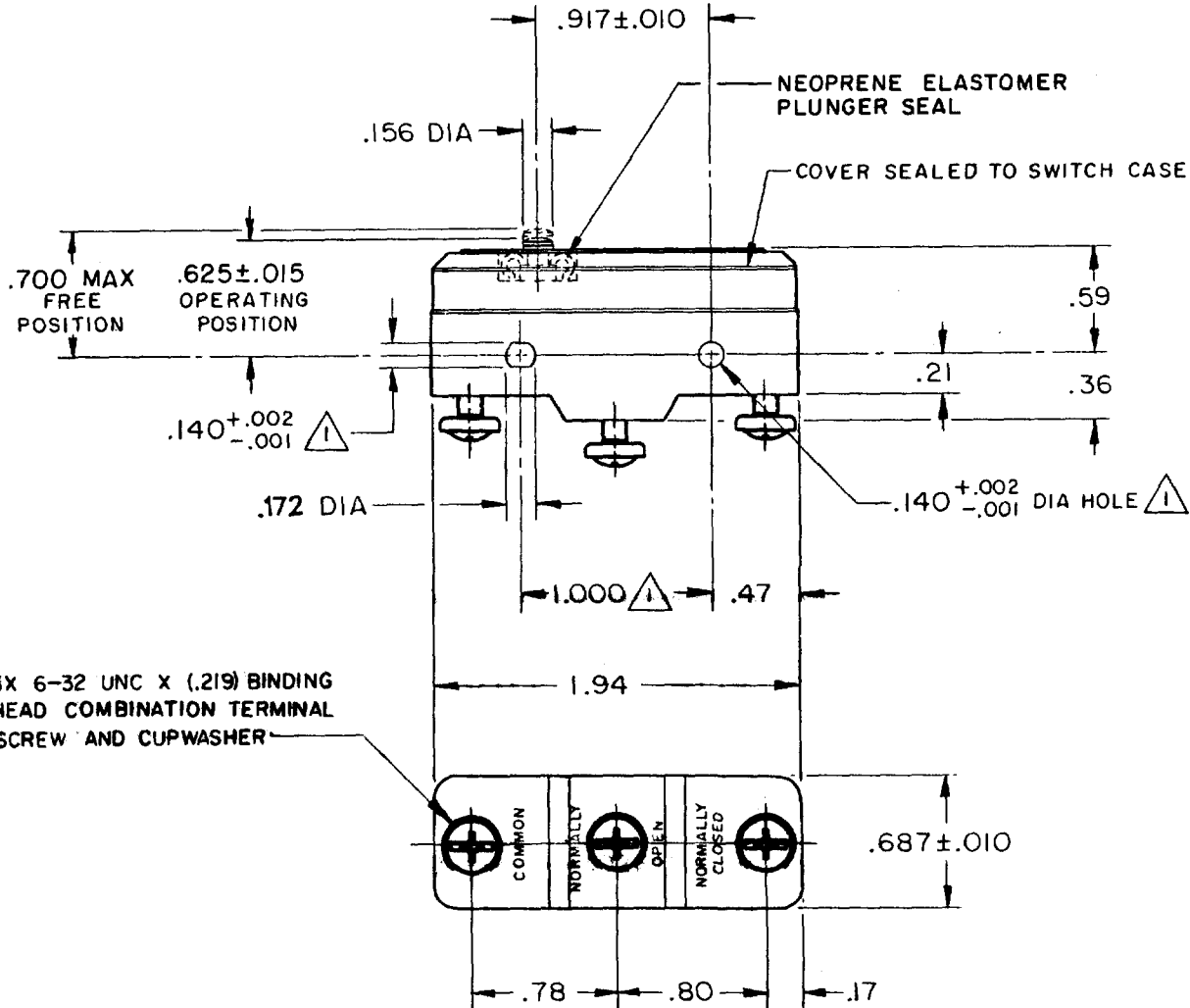
CHECK

CHECK

CHECK

CHECK

CHECK



NOTES

- △ MOUNTING HOLES WILL ACCEPT PINS OR SCREWS OF .139 MAX DIA ON 1.000±.002 CENTERS
- 2 - SEALED CONSTRUCTION PROVIDES SPLASH RESISTANCE

THIS DRAWING COVERS A PROPRIETARY ITEM AND IS THE PROPERTY OF MICRO SWITCH, A DIVISION OF MINNEAPOLIS-HONEYWELL REGULATOR CO. THIS DRAWING IS NOT TO BE COPIED OR USED WITHOUT THE APPROVAL OF MICRO SWITCH.

CHARACTERISTICS	
OPERATING FORCE	8 - 15 OZ
RELEASE FORCE	4 OZ MIN
DIFFERENTIAL TRAVEL	.0004 - .0025
OVERTRAVEL	.005 MIN

ELECTRICAL DATA	
CONTACT ARRANGEMENT S P D T	
L96	15A 125, 250 OR 480 VAC 1/8 HP 125 VAC, 1/4 HP 250 VAC 1/2A 125 VDC, 1/4A 250 VDC
L288 L299 L306	CE Ⓟ RJ Ⓟ 16A 250V ~ T85 5E4

SCALE FULL	
DO NOT SCALE PRINT	
UNLESS OTHERWISE NOTED DIMENSIONS ARE IN INCHES	
TOLERANCES ARE:	
ONE PLACE (.0)	±.030
TWO PLACE (.00)	±.015
THREE PLACE (.000)	±.005
ANGLES	±
WEIGHT .066 LB	

FORMTEK
FO-50376

DRAWN

G C H 26 AUG 62