



**MICRO SWITCH**

FREERPORT, ILLINOIS, U.S.A.  
A DIVISION OF HONEYWELL

FED. MFG. CODE 91929

# SWITCH-BASIC

CATALOG LISTING

## BZ-2RQ

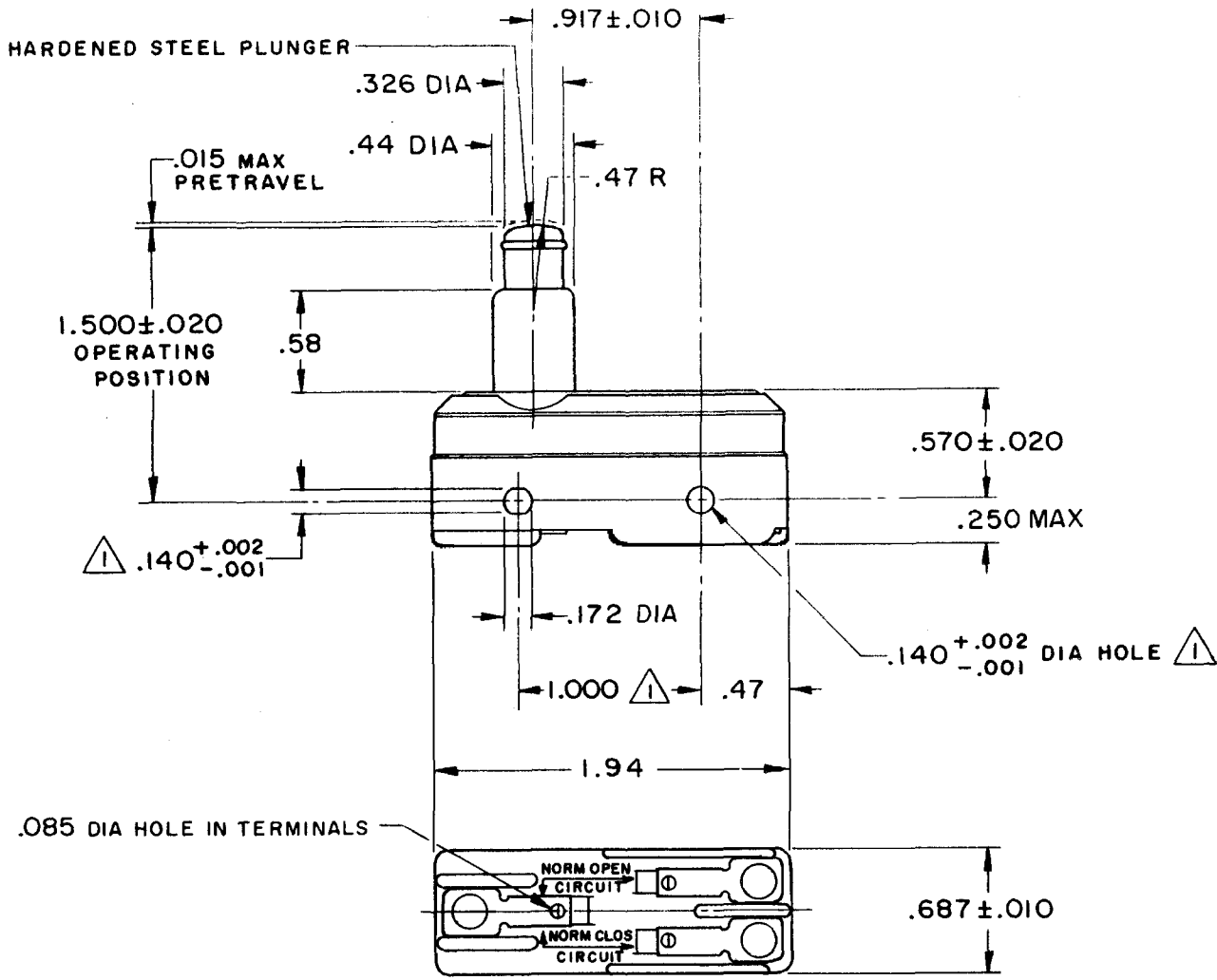
DRAWING NUMBER  
**BZ-2RQ**  
PAGE 1 OF 1

ISSUE  
**M**  
9

REVISIONS

A	CO17410	LEB	30 APR 63
B	CO46304	LAP	12 OCT 79
C	CO58037	SMA	1 OCT 85
D	CO78874	DLT	18 NOV 94
E	CO93346	DLT	10 SEP 98
F	CO94212-J	JJA	5 OCT 99

FORMTEK  
FO-50378  
DRAWN  
LEB 30 APR 63  
CHECK  
LSD 1 MAY '63



**NOTE**  
 ▲ - MOUNTING HOLES WILL ACCEPT PINS OR SCREWS OF .139 MAX DIA ON 1.000 ± .002 CENTERS

THIS DRAWING COVERS A PROPRIETARY ITEM AND IS THE PROPERTY OF MICRO SWITCH, A DIVISION OF MINNEAPOLIS-HONEYWELL REGULATOR CO. THIS DRAWING IS NOT TO BE COPIED OR USED WITHOUT THE APPROVAL OF MICRO SWITCH.

CHARACTERISTICS	
OPERATING FORCE	9 - 13 OZ
RELEASE FORCE	4 OZ MIN
DIFFERENTIAL TRAVEL	.0004 - .0020
OVERTRAVEL	.219 MIN

ELECTRICAL DATA	
CONTACT ARRANGEMENT S P D T	
UNDERWRITERS' LAB. INC. LISTED RATING	
-L96-	15 A - 125, 250, OR 480 VAC
	1/2 A - 125 VDC; 1/4 A - 250 VDC
	1/8 HP - 125 VAC; 1/4 HP - 250 VAC
-L288-	CE
-L299-	D
-L306-	SP
	16A 250V ~ T85 5E4

SCALE FULL		
DO NOT SCALE PRINT		
UNLESS OTHERWISE NOTED		
DIMENSIONS ARE IN INCHES		
TOLERANCES ARE:		
ONE PLACE	(.0)	±.030
TWO PLACE	(.00)	±.015
THREE PLACE	(.000)	±.005
ANGLES		±
WEIGHT .078 LB		