

MICRO SWITCH

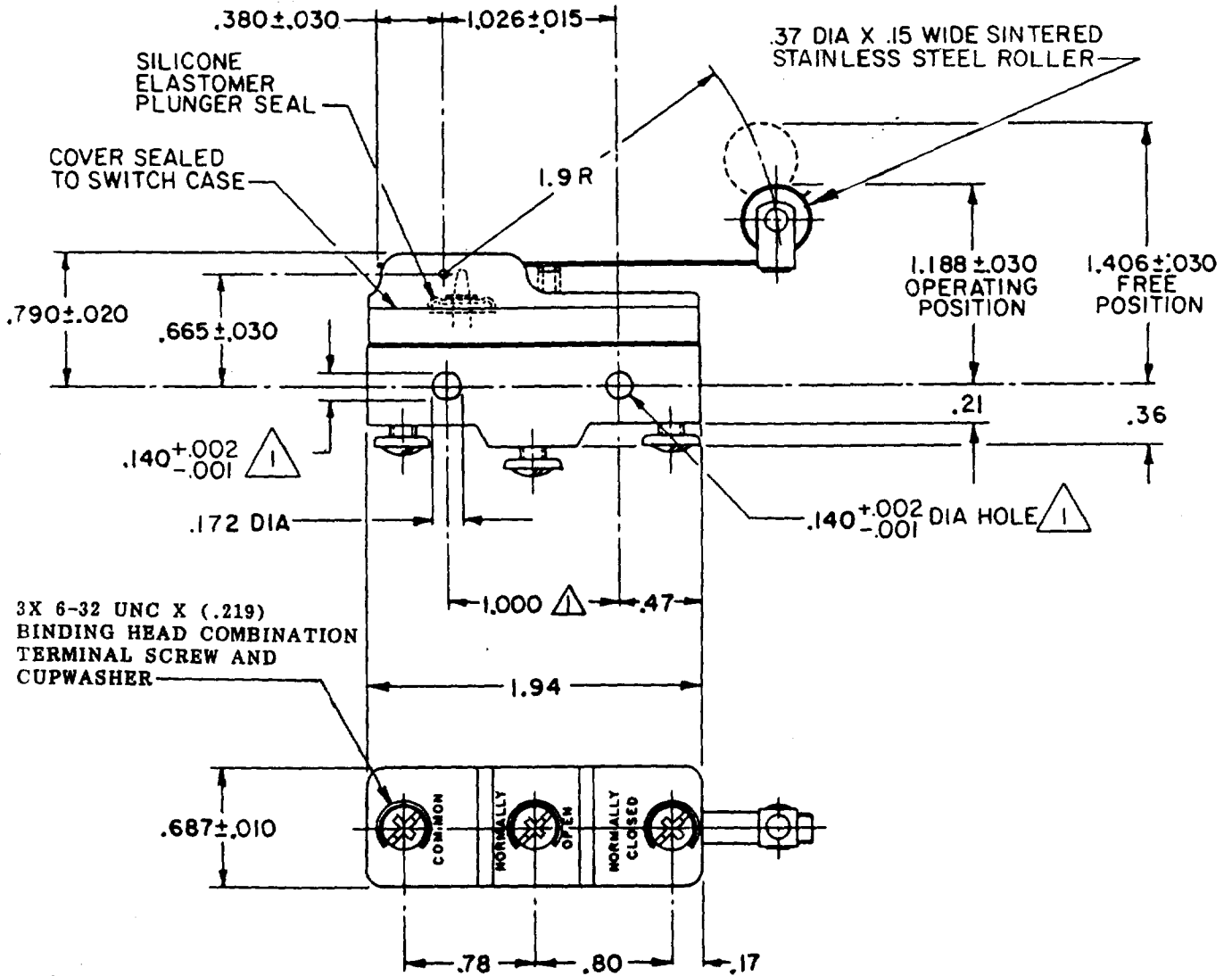
FREEMONT ILLINOIS, U.S.A.
A DIVISION OF HONEYWELL

FED. MFG. CODE 91929

SWITCH-BASIC

CATALOG LISTING
BZ-2RW82555110-A2

AQB7075



NOTES

- 1 - MOUNTING HOLES WILL ACCEPT PINS OR SCREWS OF .139 MAX DIA ON 1.000 ± .002 CENTERS
- 2 - SEALED CONSTRUCTION PROVIDES SPLASH RESISTANCE

THIS DRAWING COVERS A PROPRIETARY ITEM AND IS THE PROPERTY OF MICRO SWITCH, A DIVISION OF HONEYWELL. THIS DRAWING IS NOT TO BE COPIED OR USED WITHOUT THE APPROVAL OF MICRO SWITCH.

CHARACTERISTICS	ELECTRICAL DATA	SCALE FULL
OPERATING FORCE ----- 3 1/2 OZ MAX	CONTACT ARRANGEMENT S P D T	DO NOT SCALE PRINT
RELEASE FORCE ----- 3/4 OZ MIN	L96 15A 125, 250 OR 480 VAC 1/8 HP 125 VAC, 1/4 HP 250 VAC 1/2A 125 VDC, 1/4A 250 VDC	UNLESS OTHERWISE NOTED DIMENSIONS ARE IN INCHES TOLERANCES ARE:
DIFFERENTIAL TRAVEL ----- .004-.040	-L288- -L306- -L315-	ONE PLACE (.0) ± .030 TWO PLACE (.00) ± .015 THREE PLACE (.000) ± .005 ANGLE ±
OVERTRAVEL ----- .156 MIN	CE EN05 EC T85 5E4	WEIGHT .076 LB

BZ-2RW82555110-A2
 PAGE 1 OF 1
 M
 DRAWING NUMBER
 6
 ISSUE
 REVISIONS
 A CO-73287-J JAL 22 NOV 93
 B CO-75204R JWB 1 FEB 94
 C CO-77589 MAM 29 MAR 94
 D C093346 DLT 18 SEP 98
 E 0015138 SPK 29 AUG 05
 RELEASE NO. PR-18212
 CHECK 29 AUG 05
 CHECK RJ
 CHECK 10 MAY 92
 CHECK JAD
 CHECK 10 MAY 90
 FORMTEK FO-82880-CO
 DRAWN
 B A B 4 MAY 90

REPLACES X90366-BZ