

MICRO SWITCH

A DIVISION OF MINNEAPOLIS-HONEYWELL REGULATOR COMPANY
FREDPORT, MINNESOTA

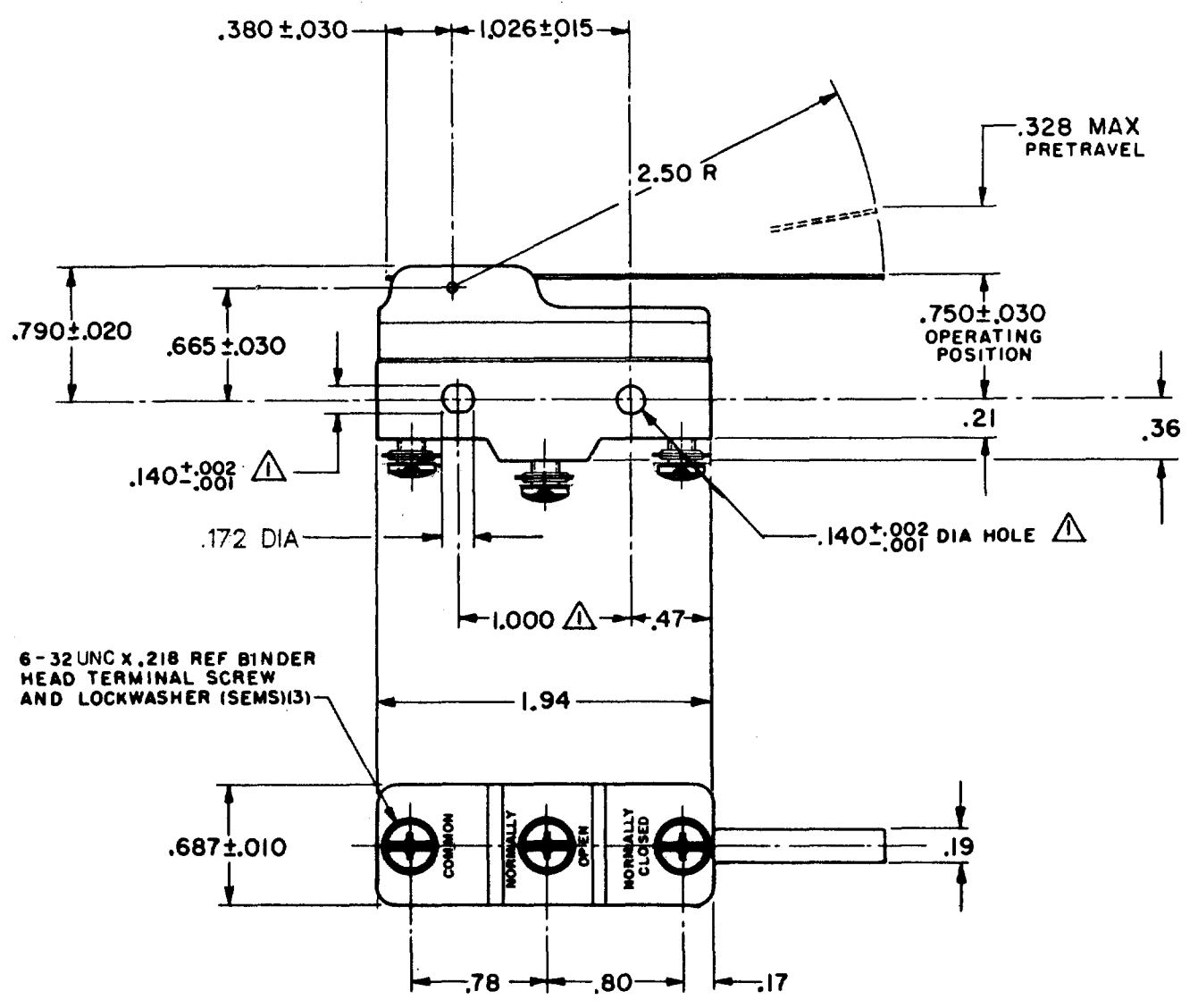
FED. MFR. CODE 91929

SWITCH - BASIC

CATALOG LISTING

BZ-2RW84T

M BZ-2RW84T
 DRAWING NUMBER
 PAGE 1 OF 1
 ISSUE 7
 REVISIONS
 A CO 16736 6 CH 6 APRIL 62
 B CO 09351-D JWB 18 JUL 91
 C CO 77589 TSM 29 MAR 94
 D CO93346 DLT 11 SEP 98
 FORMTEK FO-50376
 DRAWN DAW 11 APR 62
 CHECK GCH 6 APRIL 62
 RELEASE NO.
 CHECK
 REPLACES



NOTE
 MOUNTING HOLES WILL ACCEPT PINS OR SCREWS OF .139 MAX DIA ON 1.000 ±.002 CENTERS

THIS DRAWING COVERS A PROPRIETARY ITEM AND IS THE PROPERTY OF MICRO SWITCH, A DIVISION OF MINNEAPOLIS-HONEYWELL REGULATOR CO. THIS DRAWING IS NOT TO BE COPIED OR USED WITHOUT THE APPROVAL OF MICRO SWITCH.

CHARACTERISTICS		ELECTRICAL DATA		SCALE FULL
OPERATING FORCE	----- 1 OZ MAX	CONTACT ARRANGEMENT	BREAK DISTANCE	DO NOT SCALE PRINT
RELEASE FORCE	----- 1/8 OZ MIN	S P D T	.020 MIN	
DIFFERENTIAL TRAVEL	----- .007-.050	UNDERWRITERS' LAB. INC. LISTED RATINGS		UNLESS OTHERWISE SPECIFIED
OVERTRAVEL	----- .219 MIN	-L96- 15A-125, 250, OR 480 VAC		DIMENSIONS ARE IN INCHES
		-L288- 1/2 A-125 VDC; 1/4 A-250 VDC		TOLERANCES ARE:
		-L299- 1/8 HP-125 VAC; 1/4 HP-250 VAC		ONE PLACE (.0) ±.030
		-L306- 16A 250V ~ T85 5E4		TWO PLACE (.00) ±.015
				THREE PLACE (.000) ±.008
				ANGLES ±
				WEIGHT .073 LB