

# MICRO SWITCH

FREEMONT ILLINOIS, U.S.A.  
A DIVISION OF HONEYWELL  
FED. MFG. CODE 91929

# SWITCH-BASIC

CATALOG LISTING

BZ-2RW855051-A2-S

AQA2700

M BZ-2RW855051-A2-S

PAGE 1 OF 1

REPLACES X74679-BZ

RELEASE NO. PR-11405

DRAWING NUMBER

ISSUE

5

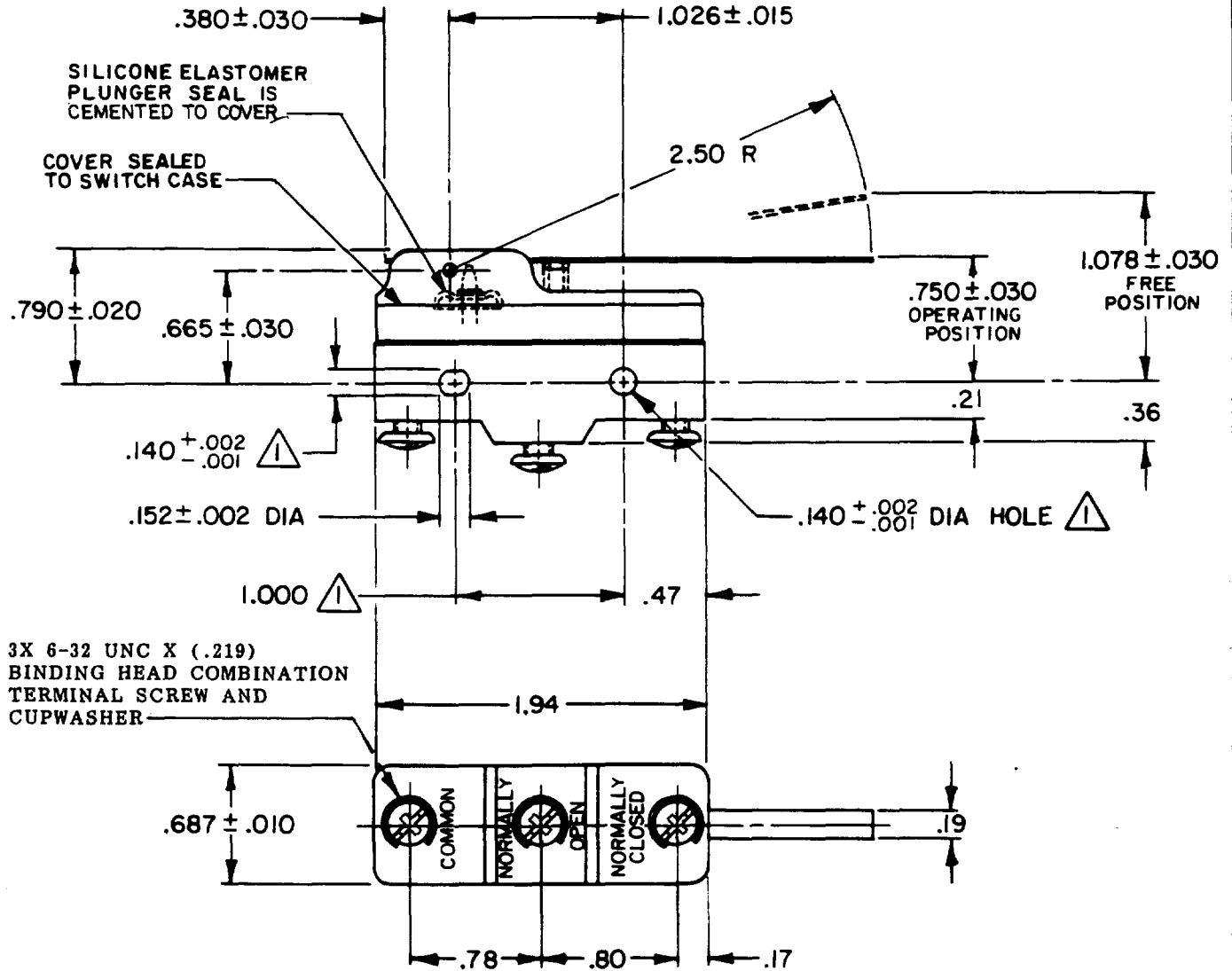
REVISIONS

A	C067209	JAP	3 MAY 90
B	CO-73287-V	JAL	22 NOV 93
C	C093346	DLT	17 SEP 98
D	0017580	TSG	09JAN06

CHECK

RJ

CHECK

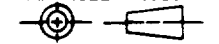


NOTES

- 1 MOUNTING HOLES WILL ACCEPT PINS OR SCREWS OF .139 MAX DIA ON 1.000±.002 CENTERS
- 2 SEALED CONSTRUCTION PROVIDES SPLASH RESISTANCE

THIS DRAWING COVERS A PROPRIETARY ITEM AND IS THE PROPERTY OF MICRO SWITCH, A DIVISION OF HONEYWELL. THIS DRAWING IS NOT TO BE COPIED OR USED WITHOUT THE APPROVAL OF MICRO SWITCH.

THIRD ANGLE PROJECTION



CHARACTERISTICS

OPERATING FORCE ——— 2 1/2 OZ MAX  
RELEASE FORCE ——— 1/2 OZ MIN  
DIFFERENTIAL TRAVEL ——.007-.050  
OVERTRAVEL ——— .219 MIN

ELECTRICAL DATA

CONTACT ARRANGEMENT  
S P D T  
L96 15A-125, 250 OR 480 VAC  
1/8 HP-125 VAC; 1/4 HP-250 VAC  
1/2 A-125 VDC; 1/4 A-250 VDC  
L288  
L306  
L315  
16A 250V ~ T85 5E4

SCALE FULL

DO NOT SCALE PRINT

TOLERANCES

APPLY TO DESIGN UNITS. CONVERSIONS ARE ONLY FOR REFERENCE. UNLESS NOTED, TOLERANCES ARE 2

	DES.	TOL.	DES.	TOL.
	mm	mm/in	in	mm/in
NO PLACES	X	1/.04	X	0.01/0.3
ONE PLACE	X, X	0.4/.016	X, X	0.25/.015
TWO PLACES	X, XX	0.16/.008	X, XX	0.13/.008
THREE PLACES	X, XXX		X, XXX	0.13/.008

DESIGN UNITS  METRIC  US CUSTOMARY

WEIGHT .076 LB

FORMTEK  
FO-52848-A

DRAWN

T M M 23 JUL 82 CHECK