

MICRO SWITCH

A DIVISION OF MINNEAPOLIS-HONEYWELL REGULATOR COMPANY
MINNEAPOLIS, MINNESOTA

ED. MFR. CODE 91929

SWITCH - BASIC

CATALOG LISTING

BZ-2RW897-A2

BZ-2RW897-A2
PAGE 1 OF 1

M

DRAWING NUMBER

7

ISSUE

REVISIONS

A	CO	10738	8 CH
			11 JUNE 82
B	CO	34306	
			4 JUN 75
C	CO	73287-J	
			22 NOV 93
D	CO	77589	
			29 MAR 94
E	CO	93346	
			14 SEP 98

DLT
14 SEP 98

CHECK

21 SEPT 82

DAW

CHECK

11 JUNE 82

CHECK

FORMTEK

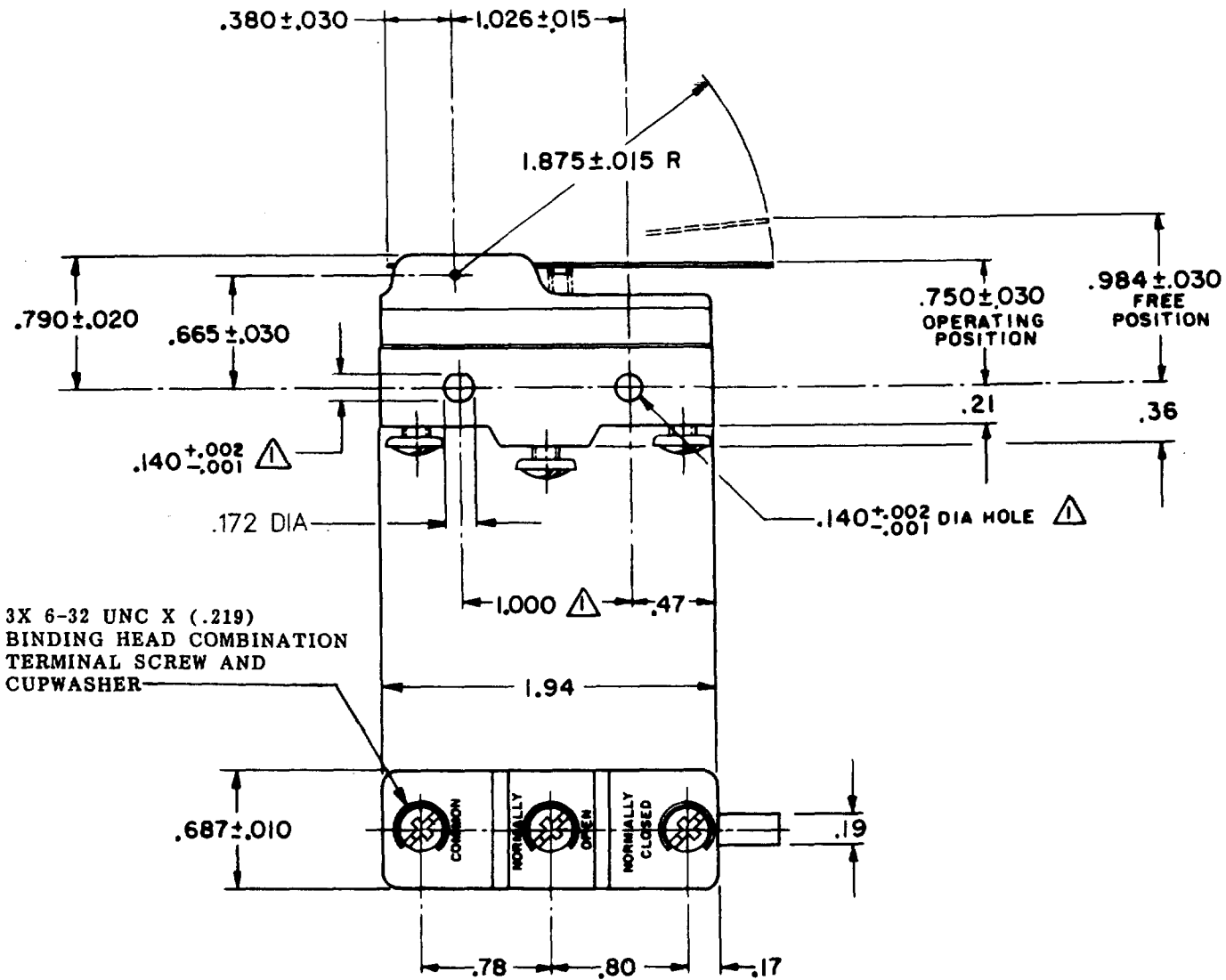
0-80378

DAWN

GCH

11 JUNE 82

CHECK



3X 6-32 UNC X (.219)
BINDING HEAD COMBINATION
TERMINAL SCREW AND
CUPWASHER

NOTE
MOUNTING HOLES WILL ACCEPT PINS OR SCREWS
OF .139 MAX DIA ON 1.000 ± .002 CENTERS

THIS DRAWING COVERS A PROPRIETARY ITEM AND IS THE PROPERTY OF MICRO SWITCH, A DIVISION OF MINNEAPOLIS-HONEYWELL REGULATOR CO. THIS DRAWING IS NOT TO BE COPIED OR USED WITHOUT THE APPROVAL OF MICRO SWITCH.

CHARACTERISTICS	ELECTRICAL DATA	SCALE FULL
OPERATING FORCE ----- 3 1/2 OZ MAX	CONTACT ARRANGEMENT S P D T	DO NOT SCALE PRINT
RELEASE FORCE ----- 3/4 OZ MIN	L96 15A 125, 250 OR 480 VAC 1/2A 125 VDC, 1/4A 250 VDC 1/8HP 125 VAC, 1/4HP 250 VAC	UNLESS OTHERWISE SPECIFIED DIMENSIONS ARE IN INCHES TOLERANCES ARE:
DIFFERENTIAL TRAVEL ----- .004 -.040	L288 L299 L306	ONE PLACE (.0) ±.030 TWO PLACE (.00) ±.015 THREE PLACE (.000) ±.008 ANGLES ±
OVERTRAVEL ----- .156 MIN	16A 250V ~ T85 5E4	WEIGHT .073 LB