

**MICRO SWITCH**  
a Honeywell Division

SWITCH - BASIC

CATALOG LISTING

BZ-3RW825515-A2-S

FED. MFG. CODE 91 929

CATALOG LISTING  
BZ-3RW825515-A2-S  
PAGE 1 OF 1

ISSUE  
**M**

2

REPLACES X101385-BZ

RELEASE NO. PR-22767

CHECK

CHECK

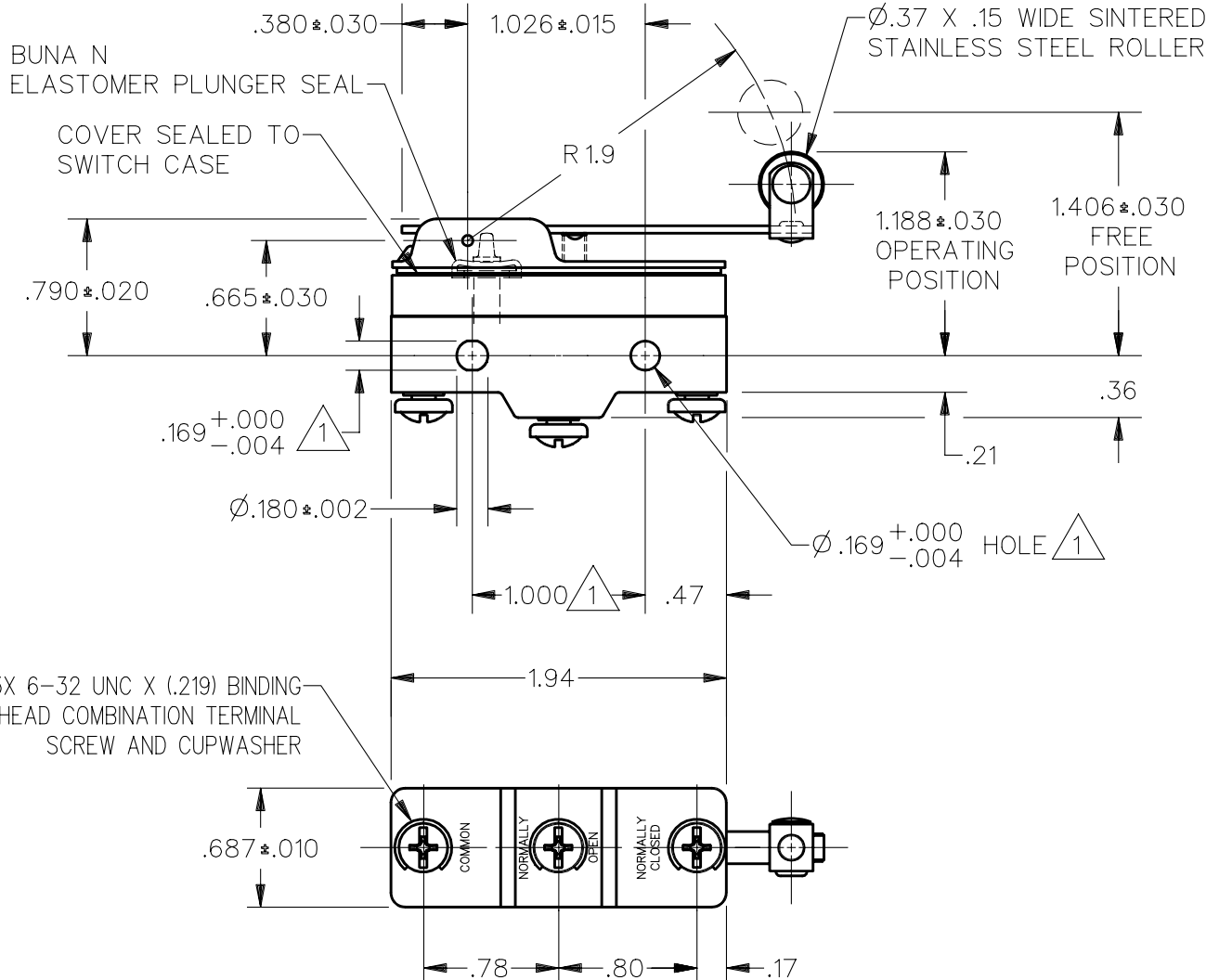
29 MAY 97

J A F

CHECK

29 MAY 97

K D R

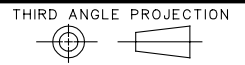


3X 6-32 UNC X (.219) BINDING HEAD COMBINATION TERMINAL SCREW AND CUPWASHER

- NOTES
- 1 MOUNTING HOLES WILL ACCEPT PINS OR SCREWS OF  $\varnothing .165$  MAX ON  $1.000 \pm .002$  CENTERS
  - 2 - SEALED CONSTRUCTION PROVIDES SPLASH RESISTANCE

ANSI Y14.5M-1982 APPLIES

THIS DRAWING COVERS A PROPRIETARY ITEM AND IS THE PROPERTY OF MICRO SWITCH, A DIVISION OF HONEYWELL. THIS DRAWING IS NOT TO BE COPIED OR USED WITHOUT THE APPROVAL OF MICRO SWITCH.



CHARACTERISTICS	ELECTRICAL DATA	SCALE FULL	DO NOT SCALE PRINT
OPERATING FORCE — — — — 4 OZ MAX	CONTACT ARRANGEMENT S P D T	<b>UNLESS OTHERWISE SPECIFIED TOLERANCES ARE</b>	
RELEASE FORCE — — — — 3/4 OZ MIN	L9 10A 125, 250 OR 480 VAC 1/2A 125 VDC, 1/4A 250 VDC	ONE PLACE (.0) ± .030	
DIFFERENTIAL TRAVEL — — — .010-.060		TWO PLACE (.00) ± .015	
OVERTRAVEL — — — — — .172 MIN	L288	THREE PLACE (.000) ± .005	
		ANGLES ±	
		WEIGHT .076 LB	

REVISIONS

A	C093346
DLT	17 AUG 98

DDM/CAD  
DRAWN