



MICRO SWITCH

FREEPORT, ILLINOIS, U.S.A.
A DIVISION OF HONEYWELL

FED. MFG. CODE 91929

SWITCH - BASIC

CATALOG LISTING

BZ-RL

CATALOG LISTING
BZ-RL
PAGE 1 OF 1

M

ISSUE
13

REVISIONS

A	CO5200	LLD	20 MAR 64
B	CO23645	M B F	22 JAN 68
C	CO46304	J A P	12 OCT 79
D	CO 38037	CO	58037
E	CO-78874	SMA	1 OCT 85
F	CO-94212-J	DLT	17 NOV 94
G	203222	J J A	5 OCT 99
	CSL		5 JUN 01

REPLACES

RELEASE NO.

CHECK

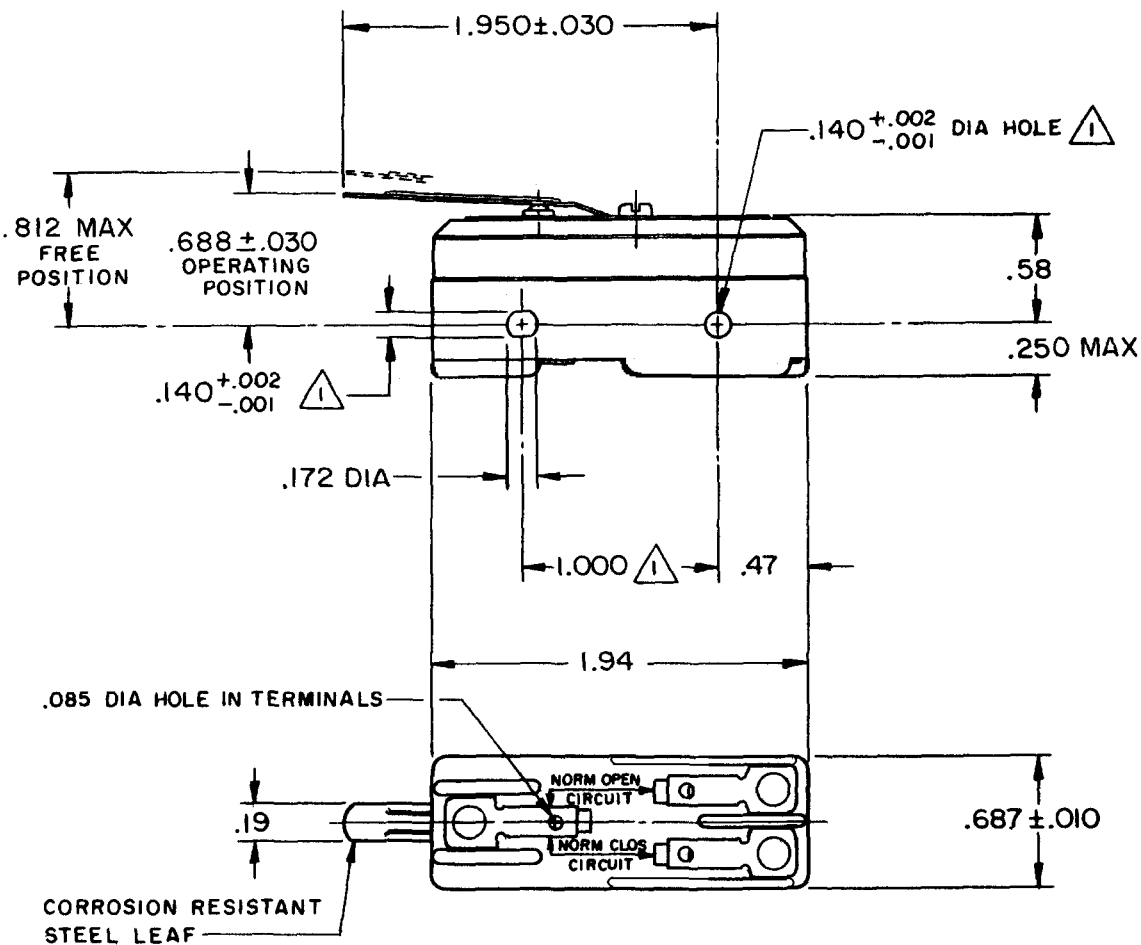
CHECK

CHECK

CHECK

21 MAR 64

LLD 20 MAR 64



NOTE
 MOUNTING HOLES WILL ACCEPT PINS OR SCREWS
 OF .139 MAX DIA ON 1.000 ± .002 CENTERS

THIS DRAWING COVERS A PROPRIETARY ITEM AND IS THE PROPERTY OF MICRO SWITCH, A DIVISION OF MINNEAPOLIS-HONEYWELL REGULATOR CO. THIS DRAWING IS NOT TO BE COPIED OR USED WITHOUT THE APPROVAL OF MICRO SWITCH.

CHARACTERISTICS

OPERATING FORCE ----- 3 OZ MAX
 RELEASE FORCE ----- 1/2 OZ MIN
 DIFFERENTIAL TRAVEL ----- .030 MAX
 DO NOT OVERTRAVEL MORE THAN --- .060

ELECTRICAL DATA

CONTACT ARRANGEMENT
 S P D T
 L103 15A 125, 250 OR 480 VAC
 1/8HP 125 VAC, 1/4HP 250 VAC
 L288
 L299
 L306
 16A 250V T85 5E4

SCALE FULL

DO NOT SCALE PRINT
 UNLESS OTHERWISE NOTED
 DIMENSIONS ARE IN INCHES
TOLERANCES ARE:
 ONE PLACE (.0) ± .030
 TWO PLACE (.00) ± .015
 THREE PLACE (.000) ± .005
 ANGLES ±
 WEIGHT .050 LB

RASTER

FO-50378

DRAWN

LLD 20 MAR 64