

CATALOG LISTING
BZ-RW922-P4

PAGE 1 OF 1

ISSUE
M

6

REPLACES

RELEASE NO. PR-481

CHECK

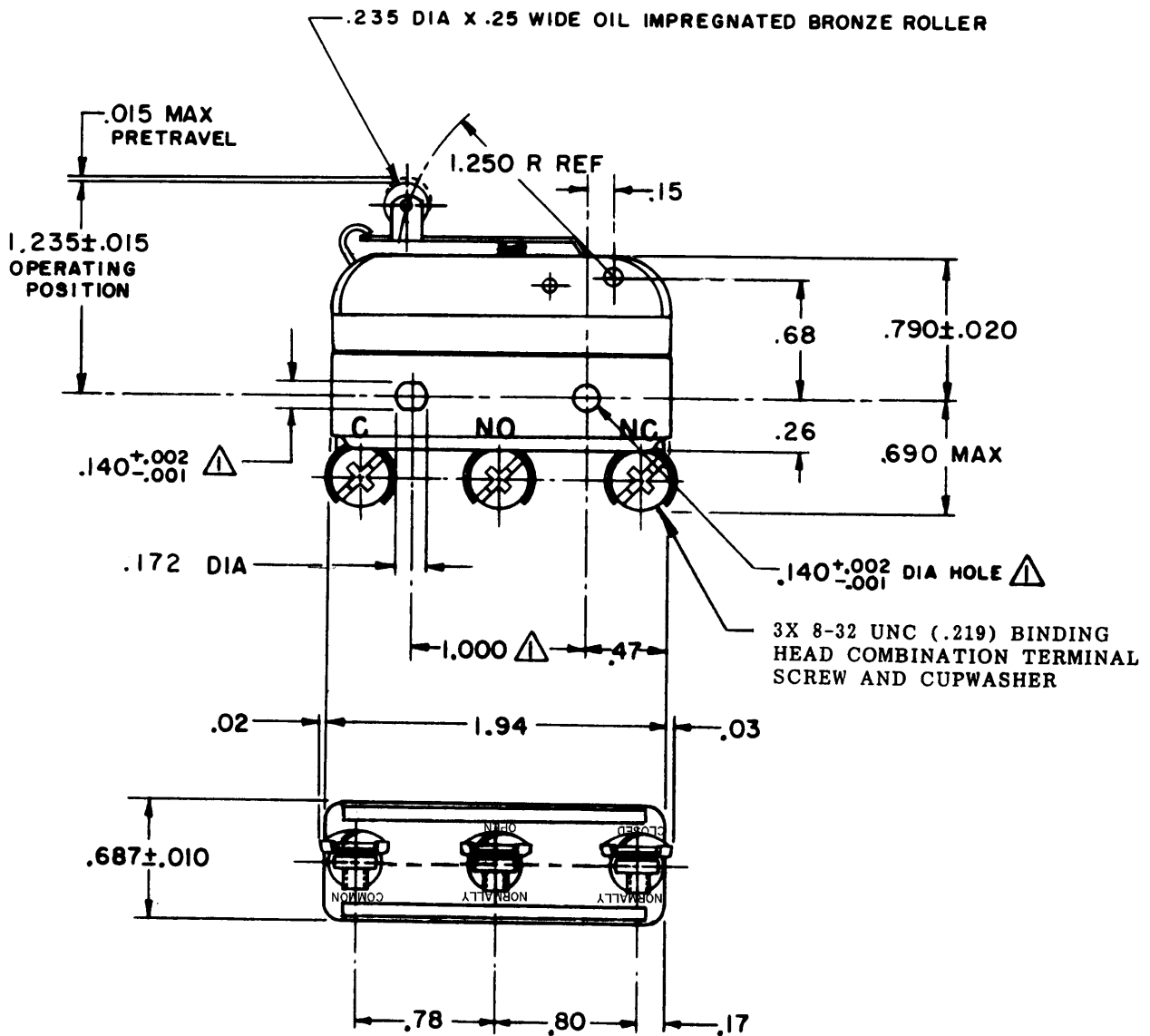
REVISIONS

A CO-77863
G J W
9 MAY 96

CHECK

CHECK

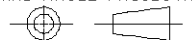
FORMTEK
DRAWN
G J W 9 MAY 96



NOTE -
 ▲ - MOUNTING HOLES WILL ACCEPT PINS OR SCREWS OF .139 MAX DIA ON 1.000±.002 CENTERS
 2 - PLASTIC PARTS ARE MADE OF MINERAL FILLED PHENOLICS

THIS DRAWING COVERS A PROPRIETARY ITEM AND IS THE PROPERTY OF MICRO SWITCH, A DIVISION OF HONEYWELL. THIS DRAWING IS NOT TO BE COPIED OR USED WITHOUT THE APPROVAL OF MICRO SWITCH.

THIRD ANGLE PROJECTION



CHARACTERISTICS
OPERATING FORCE — — — 12 OZ MAX
RELEASE FORCE — — — — 4 OZ MIN
DIFFERENTIAL TRAVEL — — .0005 — .0010
OVERTRAVEL — — — — — .100 MIN

ELECTRICAL DATA
CONTACT ARRANGEMENT SPDT
L95 10A 125, 250 OR 480 VAC 1/8HP 125 VAC, 1/4HP 250 VAC

SCALE FULL	DO NOT SCALE PRINT
UNLESS OTHERWISE SPECIFIED TOLERANCES ARE	
ONE PLACE (.0)	±.030
TWO PLACE (.00)	±.015
THREE PLACE (.000)	±.005
ANGLES	±
WEIGHT	

