

PART NUMBER	ITEM ①	ITEM ②	ITEM ③	
	BODY	SPRING	HANDLE	COLOR
108-1001-001	BRASS NICKEL PL .0001 MIN	BERYLLIUM COPPER NICKEL PL .0001 MIN	NYLON	WHITE
108-1002-001				RED
108-1003-001				BLACK
108-1004-001				GREEN
108-1005-001				
108-1006-001				ORANGE
108-1007-001				YELLOW
108-1008-001				BROWN
108-1009-001				
108-1010-001				BLUE
108-1011-001				
108-1012-001				VIOLET
108-1013-001				GRAY
108-1014-001				
108-1015-001				
108-1016-001				
108-1017-001				
108-1018-001				
108-1019-001				
108-1020-001				

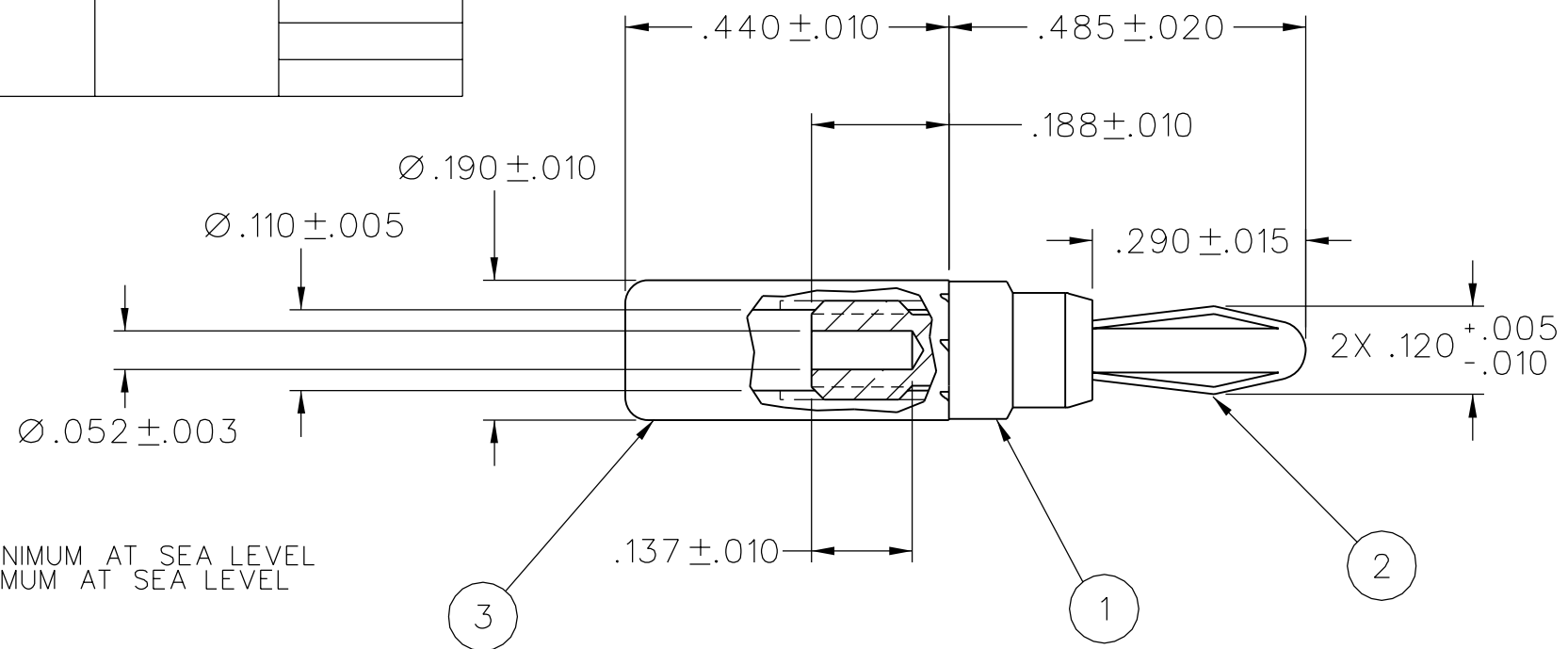
DRAWING NO.
B-108-1001/1020-001

0 REVISIONS

UPDATE GRAPHICS

* REVISION NUMBER FOLLOWED BY AN ALPHA *
* CHARACTER INDICATES DRAWING CLARIFI- *
* CATION OR PART NUMBER ADDITION ONLY. *

8b	10-31-06	P A T	R J B	M J U	J C N	12-4-06	ECN 50777
----	----------	-------------	-------------	-------------	-------------	---------	-----------



NOTES:

SPECIFICATIONS:

ELECTRICAL:

CURRENT RATING: 10 AMPS DC MINIMUM
DIELECTRIC WITHSTANDING VOLTAGE: 3500 VRMS MINIMUM AT SEA LEVEL
RECOMMENDED WORKING VOLTAGE: 1750 VRMS MAXIMUM AT SEA LEVEL
INSULATION RESISTANCE: 5000 MEGOHMS MINIMUM
CONTACT RESISTANCE: 10 MILLIOHMS MAXIMUM

MECHANICAL:

INSERTION/WITHDRAWAL FORCE: .5 - 5.0 POUNDS
CONTACT SPRING RETENTION FORCE: 20 POUNDS MINIMUM
WIRE ACCEPTABILITY: 18 AWG OR SMALLER
WIRE ATTACHMENT: SOLDER
MATING BANANA JACK DIAMETER: .104 NOMINAL
DURABILITY: 1000 CYCLES MINIMUM

ENVIRONMENTAL:

(MEETS OR EXCEEDS THE APPLICABLE PARAGRAPH OF MIL-C-28901)
OPERATING TEMPERATURE: -55 DEG C TO 85 DEG C.
TEMPERATURE RISE AT RATED CURRENT: 10 DEG C MAXIMUM
CORROSION: MIL-STD-1344, METHOD 1001, CONDITION B
SHOCK: MIL-STD-1344, METHOD 2004, CONDITION G
VIBRATION: MIL-STD-1344, METHOD 2005, CONDITION I
HUMIDITY: MIL-STD-1344, METHOD 1002, CONDITION B

CUSTOMER DRAWING

THIS DRAWING TO BE INTERPRETED
PER ASME Y 14.5M - 1994

"μ STATION"

COMPANY CONFIDENTIAL

TOLERANCE UNLESS OTHERWISE SPECIFIED		DRAWN BY	DATE
DECIMALS	mm	PAT	11-27-06
.XX	_____	CHECKED BY	DATE
.XXX	_____	RJB	11-28-06
MATL	_____	APPROVED BY	DATE
		JCN	11-28-06
FINISH	_____	RELEASE DATE	12-4-06 (10-30-91)
		U/M	SCALE 4:1

	Connectivity Solutions P.O. Box 1732 Waseca, MN 56093 1-800-247-8256	
	TITLE ASSEMBLY, MINI BANANA PLUG, INSULATED HANDLE, ROUND BODY, SOLDER BACK HOLE	
SHEET 2 OF 2	DRAWING NO. B-108-1001/1020-001	