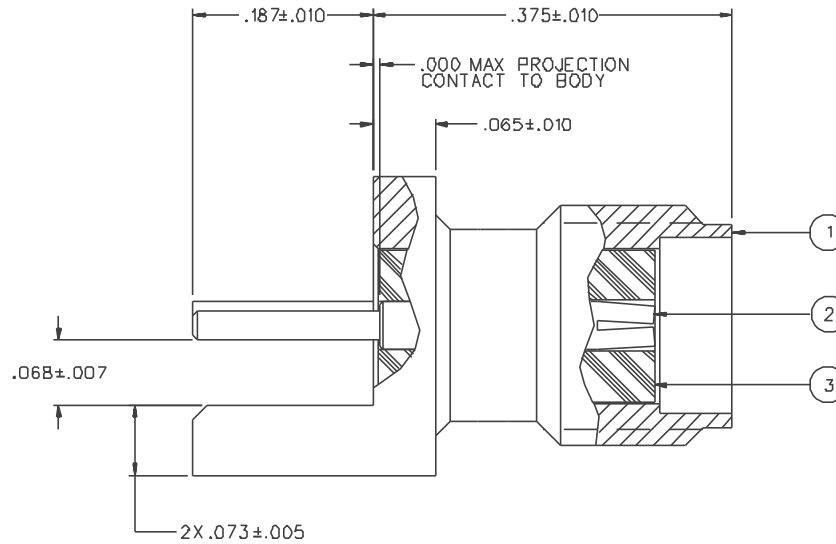
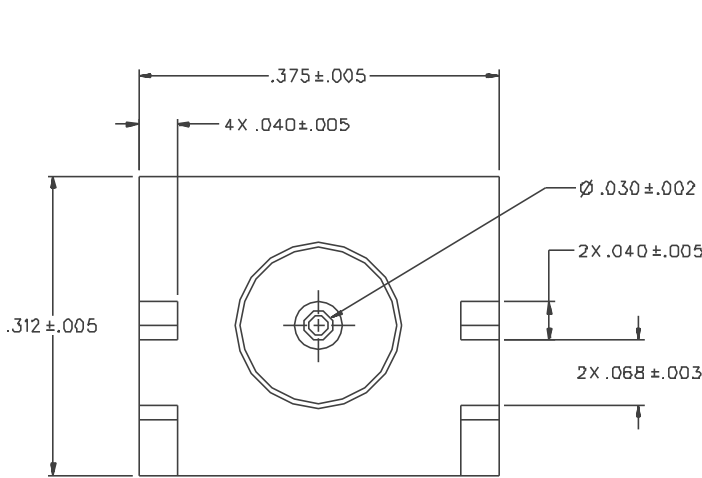


PART NUMBER	ITEM ① BODY	ITEM ② CONTACT	ITEM ③ INSULATOR
142-D7D1-B01	BRASS GOLD PL .00001 MIN OVER NICKEL PL .00005 MIN OVER COPPER PL .00005 MIN	BERYLLIUM COPPER GOLD PL .00005 MIN OVER NICKEL PL .00005 MIN OVER COPPER PL .00005 MIN	TEFLON
142-D7D1-B06	BRASS NICKEL PL .0001 MIN OVER COPPER PL .00005 MIN	BERYLLIUM COPPER GOLD PL .00005 MIN OVER NICKEL PL .00005 MIN OVER COPPER PL .00005 MIN	TEFLON



NOTES:

1. SPECIFICATIONS:

IMPEDANCE: 50 OHMS  
 FREQUENCY RANGE: 0-18 GHz  
 VSWR: NOT APPLICABLE  
 WORKING VOLTAGE: 335 VRMS MAX AT SEA LEVEL  
 DIELECTRIC WITHSTANDING VOLTAGE: 1000 VRMS MIN AT SEA LEVEL  
 INSULATION RESISTANCE: 5000 MEGOHM MIN  
 CONTACT RESISTANCE:  
   CENTER CONTACT - INITIAL 3.0 MILLIOHM MAX, AFTER ENVIRONMENTAL 4.0 MILLIOHM MAX  
   OUTER CONDUCTOR - INITIAL 2.0 MILLIOHM MAX AFTER ENVIRONMENTAL NOT APPLICABLE  
 BRAID TO BODY - NOT APPLICABLE  
 CORONA LEVEL: 250 VOLTS MIN AT 70,000 FEET  
 INSERTION LOSS: NOT APPLICABLE  
 RF LEAKAGE: NOT APPLICABLE  
 RF HIGH POTENTIAL WITHSTANDING VOLTAGE: 670 VRMS MIN AT 4 AND 7MHz

MECHANICAL:

ENGAGE/DISENGAGE TORQUE: 2 INCH-POUNDS MAX  
 MATING TORQUE: 7-10 INCH POUNDS  
 COUPLING PROOF TORQUE: NOT APPLICABLE  
 COUPLING NUT RETENTION: NOT APPLICABLE  
 CONTACT RETENTION: 6 LBS MIN AXIAL FORCE  
   4 IN-OZ MIN RADIAL TORQUE  
 CABLE ACCEPTABILITY: NOT APPLICABLE  
 CABLE HEX CRIMP SIZE: NOT APPLICABLE  
 CABLE RETENTION: NOT APPLICABLE  
 DURABILITY: 500 CYCLES MIN

ENVIRONMENTAL:

(MEETS OR EXCEEDS THE APPLICABLE PARAGRAPH OF MIL-PRF-39012)  
 THERMAL SHOCK: MIL-STD-202, METHOD 107, CONDITION B  
 OPERATING TEMPERATURE: -65 DEG C TO 165 DEG C  
 CORROSION: MIL-STD-202, METHOD 101, CONDITION B  
 SHOCK: MIL-STD-202, METHOD 213, CONDITION I  
 VIBRATION: MIL-STD-202, METHOD 204, CONDITION D  
 MOISTURE RESISTANCE: MIL-STD-202, METHOD 106

DRAWING NO. C - 142-0701-801/810			
0 REVISIONS			
ENGINEERING RELEASE			
03	01-12-89	EJ	6-14-89 ECO 23856
ADDED: 2X .075±.005, .065±.010, .187±.010 DELETED: .573±.015, .562±.010 CHANGED: UPDATED GRAPHICS, .040±.005 WAS ±.010.			
4	7-16-90		
VERSION UPDATE			
5	9-6-91	RH	9-17-91 ECO 40532
ADDED: NOTE 2, .025±.010 CHANGED: 2X .068±.003 WAS 2X .068±.003			
6	10-21-92	RH	12-18-92 ECO 41345
CHANGED: .068±.007 WAS .068±.006, UPDATED GRAPHICS			
6a	2-21-94	RH	3-8-94 ECO 42220
CHANGED: -.805 "R", .075/.055 WAS .068±.007 AND ".C", .071/.055 WAS .068±.003			
6b	6-13-94	RH	6-21-94 ECN 42516
ADDED: .000 MAX PROJECTION, CUT AWAY FLANGE DETAIL CHANGED: 2X .068±.003 WAS 2X ".C", .068±.007 WAS "B", 4X .040±.004 WAS 2X .040±.004 DELETED: .025±.005, NOTE 7 TABULATED DIMENSIONS "B" & "C" & REMARKS, P/N 142-0701-B05			
7	10-24-96	RH	ECN 44272
VERSION UPDATE			
B	2-26-99	RH	ECN 46211
VERSION UPDATE			
* REVISION NUMBER FOLLOWED BY AN ALPHA * * CHARACTER INDICATES DRAWING CLASS - * * CATION OR PART NUMBER ADDITION ONLY. *			
8a	8-13-01		ECN 47953

CUSTOMER DRAWING

THIS DRAWING TO BE INTERPRETED PER ANS Y 14.5M - 1982

"μSTATION"

COMPANY CONFIDENTIAL

TOLERANCE UNLESS OTHERWISE SPECIFIED		DRAWN BY <b>EJ</b>	DATE 1-12-89	 299 Johnson Ave. P.O. Box 1732 Waseca, MN 56093-0832
DECIMALS .XX	mm	CHECKED BY	DATE	
.XXX		APPROVED BY RJE	DATE 6-12-89	TITLE JACK ASSEMBLY END LAUNCH SMA
FINISH		APPROVED BY	DATE	CODE NO.
		RELEASE DATE	6-14-89	DRAWING NO. C - 142-0701-801/810
				SCALE 10:1
				U/N INCH
				SHEET 2 OF 2