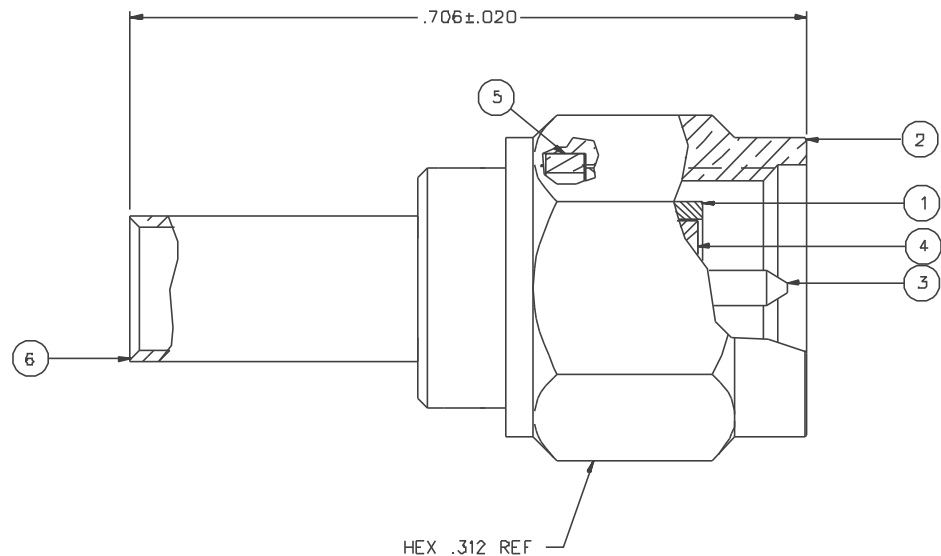


PART NUMBER	ITEM ① BODY	ITEM ② NUT	ITEM ③ CONTACT	ITEM ④ INSULATOR	ITEM ⑤ RETENTION SPRING	ITEM ⑥ CRIMP SLEEVE
142-D403-D11	BRASS GOLD PL .00001 MIN OVER NICKEL PL .00005 MIN OVER COPPER PL .00005 MIN	BRASS GOLD PL .00001 MIN OVER NICKEL PL .00005 MIN OVER COPPER PL .00005 MIN	BRASS GOLD PL .00005 MIN OVER NICKEL PL .00005 MIN OVER COPPER PL .00005 MIN	TEFLON	BERYLLIUM COPPER UNPLATED	COPPER GOLD PL .00001 MIN OVER NICKEL PL .00005 MIN OVER COPPER PL .00005 MIN
142-D403-D14	COPPER SILVER PL .00005 MIN OVER COPPER PL .000075 MIN	COPPER SILVER PL .00005 MIN OVER COPPER PL .000075 MIN	COPPER SILVER PL .00005 MIN OVER COPPER PL .000075 MIN	TEFLON	BERYLLIUM COPPER UNPLATED	COPPER SILVER PL .00005 MIN OVER COPPER PL .000075 MIN
142-D403-D16	BRASS NICKEL PL .0001 MIN OVER COPPER PL .00005 MIN	BRASS NICKEL PL .0001 MIN OVER COPPER PL .00005 MIN	BRASS GOLD PL .00005 MIN OVER NICKEL PL .00005 MIN OVER COPPER PL .00005 MIN	TEFLON	BERYLLIUM COPPER UNPLATED	COPPER NICKEL PL .0001 MIN OVER COPPER PL .00005 MIN



NOTES:

1. SPECIFICATIONS:

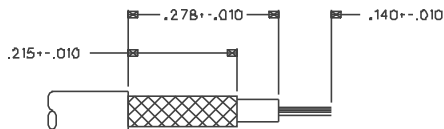
IMPEDANCE: 50 OHMS
 FREQUENCY RANGE: 0-12.4 GHz
 VSWR: 1.15-.02 F MAX (F IN GHz)
 WORKING VOLTAGE: 250 VRMS MAX AT SEA LEVEL
 DIELECTRIC WITHSTANDING VOLTAGE: 750 VRMS MIN AT SEA LEVEL
 INSULATION RESISTANCE: 5000 MEGOHM MIN
 CONTACT RESISTANCE:
 CENTER CONTACT - INITIAL 3.0 MILLIOHM MAX, AFTER ENVIRONMENTAL 4.0 MILLIOHM MAX
 OUTER CONDUCTOR - INITIAL 2.0 MILLIOHM MAX AFTER ENVIRONMENTAL NOT APPLICABLE
 BODY TO CABLE - 0.5 MILLIOHM MAX (GOLD PLATED AND SILVER PLATED)
 5.0 MILLIOHM MAX (NICKEL PLATED)
 CORONA LEVEL: 190 VOLTS MIN AT 70,000 FEET
 INSERTION LOSS: .06 √ F 9B MAX (F IN GHz) AT 5 GHz
 RF LEAKAGE: -60 DB MIN AT 2.5 GHz
 RF HIGH POTENTIAL WITHSTANDING VOLTAGE: 500 VRMS MIN AT 4 AND 7 MHz

MECHANICAL:

ENGAGE/DISENGAGE TORQUE: 2 INCH-POUNDS MAX
 MATING TORQUE: 7-10 INCH POUNDS
 COUPLING PROOF TORQUE: 15 INCH-POUNDS MIN
 COUPLING NUT RETENTION: 60 LBS MIN
 CONTACT RETENTION: 6 LBS MIN
 CABLE ACCEPTABILITY: RG 18B/U, RG 316/U
 RG 181/U, RG 174/U
 CABLE HEX CRIMP SIZE: .12B
 CONTACT CRIMP TOOL: 144-0000-910 WITH POSITIONER 141-0000-9D7
 CABLE RETENTION: 20 LBS MIN AXIAL FORCE
 DURABILITY: 500 CYCLES MIN

ENVIRONMENTAL:

(MEETS OR EXCEEDS THE APPLICABLE PARAGRAPH OF MIL-C-39012)
 THERMAL SHOCK: MIL-STD-202, METHOD 107, CONDITION B, EXCEPT B5° C HIGH TEMP
 OPERATING TEMPERATURE: -65° C TO 165° C
 CORROSION: MIL-STD-202, METHOD 101, CONDITION B
 SHOCK: MIL-STD-202, METHOD 213, CONDITION I
 VIBRATION: ML-STD-202, METHOD 204, CONDITION D
 MOISTURE RESISTANCE: MIL-STD-202, METHOD 106



CABLE STRIP DIMENSIONS

4:1

DRAWING NO. C - 142-0403-011/020			
0 REVISIONS			
ENGINEERING RELEASE			
1	5-26-92	R H B	6-30-92 ECO 41041
VERSION UPDATE			
1a	4-19-95	R S I N H A	6-1-95 ECN 43204
ADDED: P/N 142-0403-014			
1b	11-7-96	R H B A	ECN 44451
CHANGED: P/N 142 0403-014 ITEMS 1, 2 AND 3 COPPER WAS BRASS			
1c	9-7-99	R H B F	9-27-99 ECN 46423
VERSION UPDATE			
1d	5-25-00	R K A H R B	8-2-00 ECN 47101
ADDED: CRIMP TOOL P/N'S			
***** * REVISION NUMBER FOLLOWED BY AN ALPHA * * CHARACTER INDICATES DRAWING CLASS * * CATION OR PART NUMBER ADDITION ONLY * *****			
1e	12-7-00	R H B A	ECN 47306

CUSTOMER DRAWING

THIS DRAWING TO BE INTERPRETED PER ANS1Y 14.5M - 1982

"μSTATION"

COMPANY CONFIDENTIAL

TOLERANCE UNLESS OTHERWISE SPECIFIED	DRAWN BY TAK	DATE 2-26-92	299 Johnson Ave. P.O. Box 1732 Waseca, MN 56093-0832	
DECIMALS .XX	CHECKED BY TAK	DATE 6-25-92	TITLE PLUG ASSEMBLY, STRAIGHT CABLED SMA, RG 316	
MATL	APPROVED BY TAK	DATE 6-26-92	CODE NO.	DRAWING NO.
FINISH	APPROVED BY RJJB	DATE 6-26-92	C - 142-0403-011/020	
	RELEASE DATE	6-30-92	SCALE 10:1	U/M INCH SHEET 2 OF 2