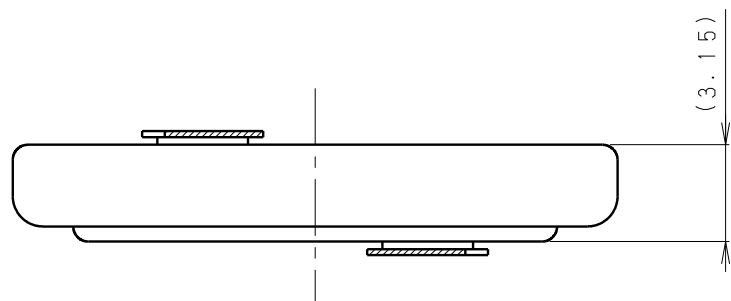
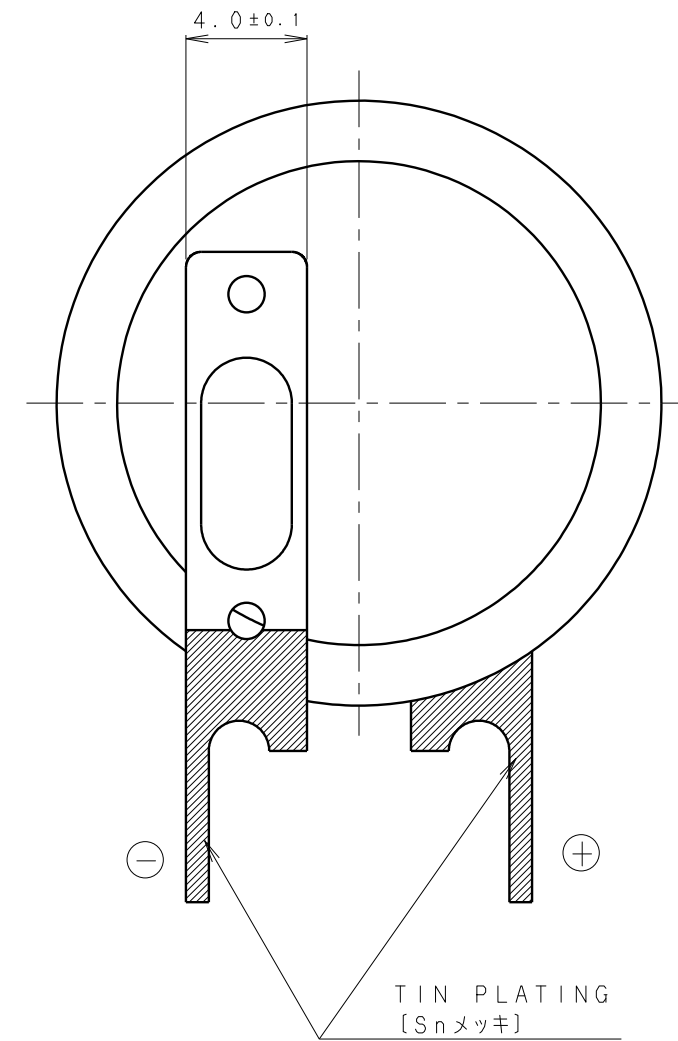
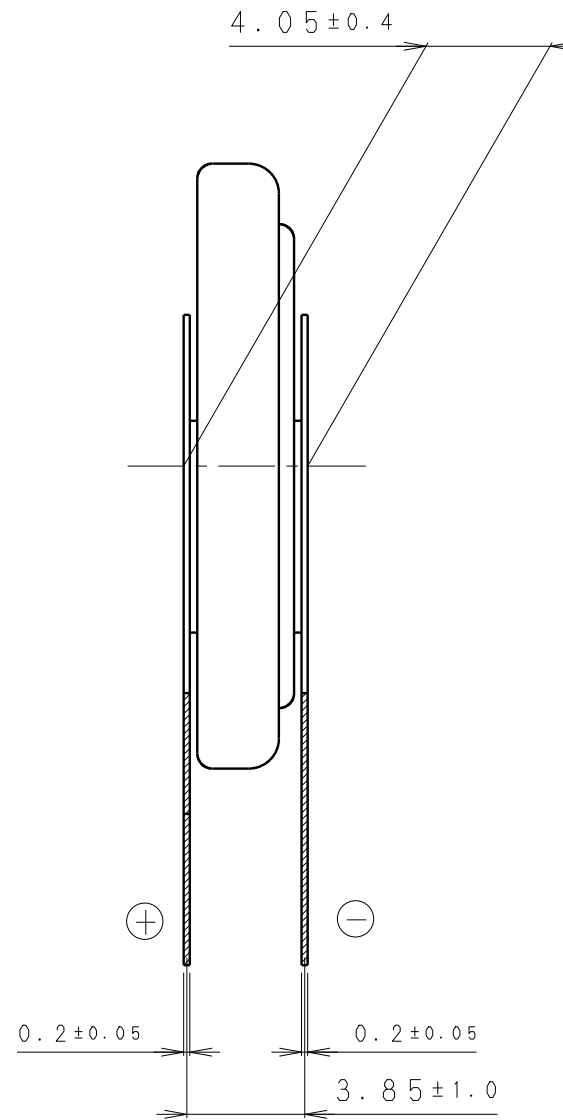
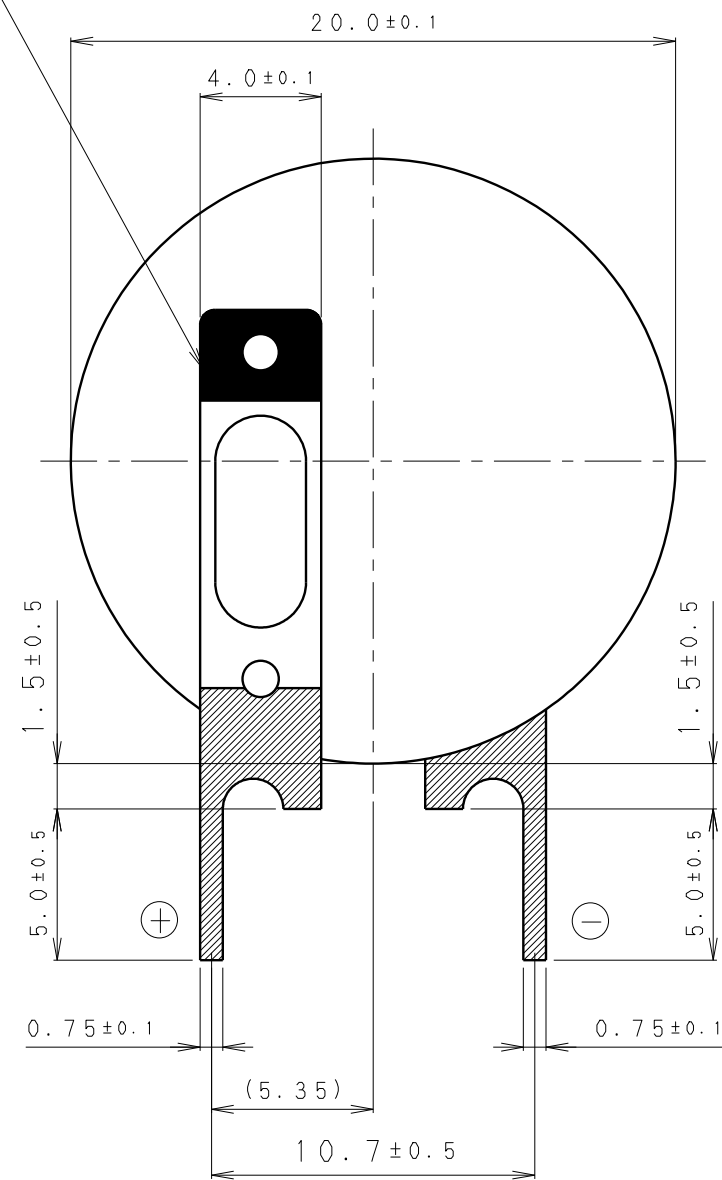


"+" TERMINAL INDICATION (RED)
 [+端子極性表示(赤)]



* NOTE [注記]

- TAB PULLING STRENGTH OVER 19.6N [端子溶接強度:19.6N以上]
- TAB MATERIAL: STAINLESS STEEL WITH TIN PLATING [端子材料:基材 ステンレス/表面 部分Snメッキ]
- (): REFERENCE DIMENSION AND ANGLE [() 寸法、角度は参考値]

PRODUCT NO.	BR-2032/VBN	SCALE	4:1
DRAWING NO.	PMVA1N	REV.	0
			UNIT:mm