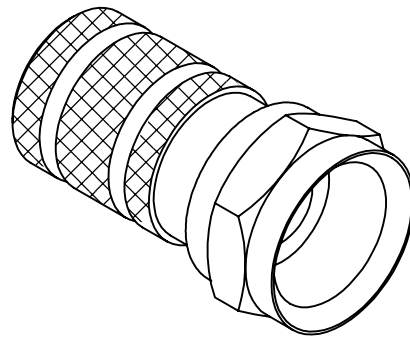
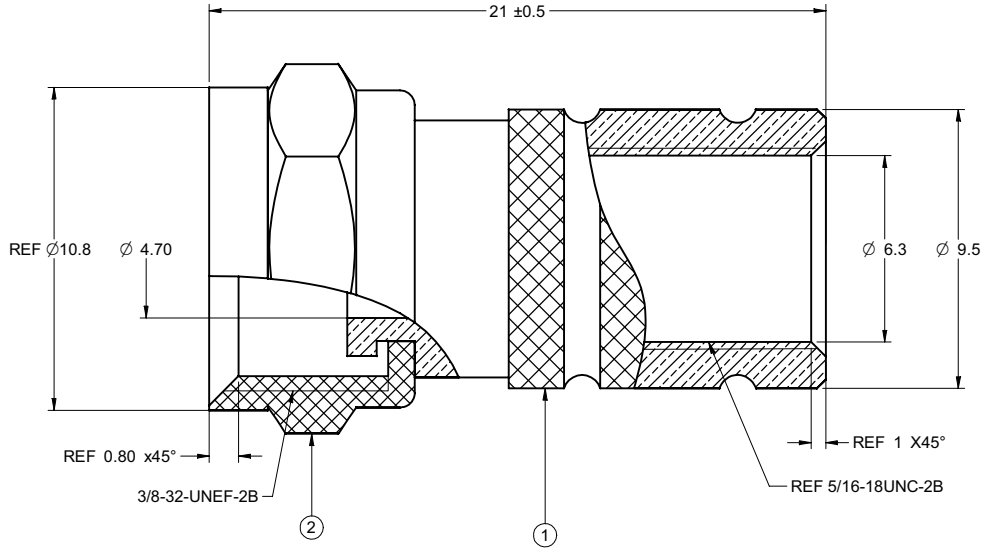
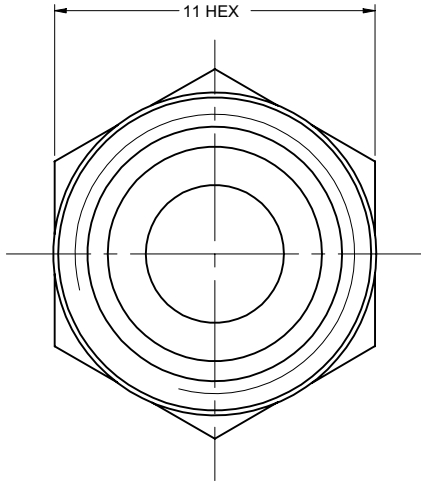


PART NUMBER	ITEM ① BODY	ITEM ② NUT
25-7180	BRASS NICKEL PLATED	ZINC NICKEL PLATED

<b>受控 CONTROLLED DOCUMENT</b>			
编号 P/N	25-7180	版本 Rev	01
日期 Rel'd Date	May8,09		

DRAWING NO. 25-7180	REVISIONS			
01	OFFICIAL RELEASE			
04-13-09	Y	U	Y	Y



NOTES:

1. TECHNICAL DETAIL: REFER TO EMERSON DOCUMENT P/N 25-0000

THIS DRAWING TO BE INTERPRETED PER ANSI Y 14.5M - 1994

**COMPANY CONFIDENTIAL**

TOLERANCE UNLESS OTHERWISE SPECIFIED		DRAWN BY BETTY.YU	DATE 04-13-09
DECIMALS	mm	CHECKED BY BETTY.YU	DATE 04-13-09
X	± 0.5	APPROVED BY THOMAS	DATE 04-13-09
X.X	± 0.2		
X.XX	± 0.1		
ANGLES	± 0.5°	U/M	mm

**EMERSON**  
Network Power

**Connectivity Solutions**

TITLE  
**TWIST ON W/ DELUXE 1/2 BODY**

THIS DRAWING WAS PRODUCED BY COMPUTER, DO NOT SCALE DRAWING OR UPDATE MANUALLY.

SHEET 1 OF 1	DRAWING NO. 25-7180	SIZE C
-----------------	------------------------	-----------