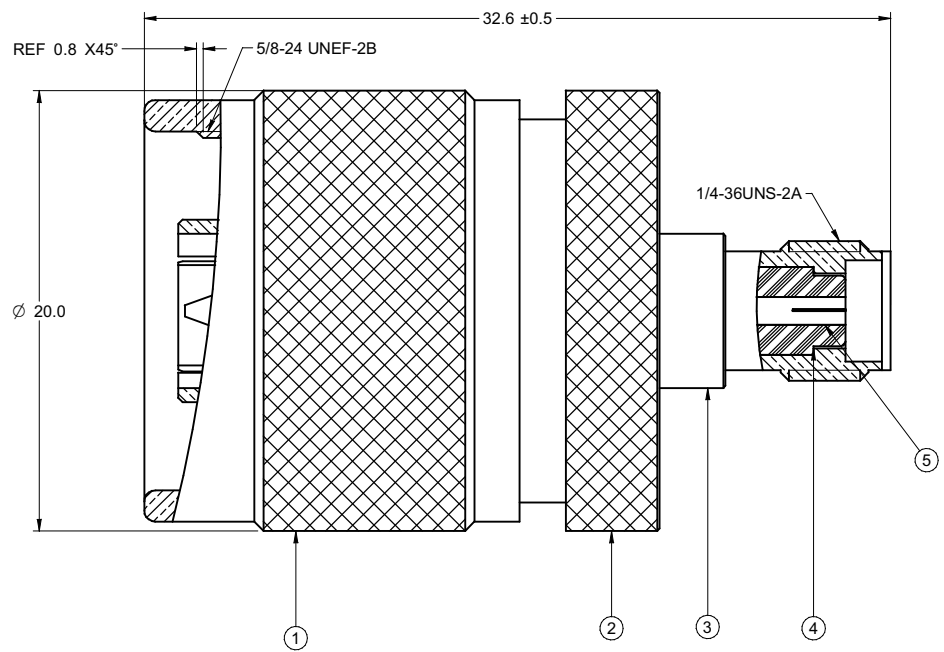


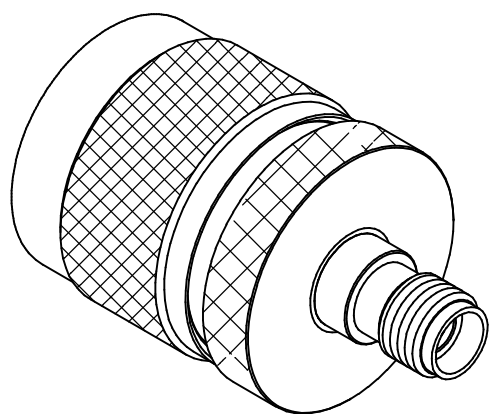
PART NUMBER	ITEM ① NUT	ITEM ② BODY	ITEM ③ BODY	ITEM ④ INSULATOR	ITEM ⑤ CONTACT
29-3840	BRASS NICKEL PLATED	BRASS NICKEL PLATED	BRASS NICKEL PLATED	PTFE N/A	BERYLLIUM GOLD PLATED

DRAWING NO. 29-3840		
REVISIONS		
01	OFFICIAL RELEASE	2009.09.11 2009.09.11 Betty Yu 08.07
08-18-09	W	W T



受控 CONTROLLED DOCUMENT					
编号 P/N	29-3840	版本 Rev	01	日期 Rel'd Date	SEP 17,09

- NOTES:
- ELECTRICAL SPECIFICATIONS
 N IMPEDANCE: 50 OHM
 SMA IMPEDANCE: 50 OHM
 WORKING VOLTAGE: 500 VOLTS RMS AT SEA LEVEL
 DIELECTRIC WITHSTANDING VOLTAGE: 1500 VOLTS RMS AT SEA LEVEL
 INSULATION RESISTANCE: 5000 MEGOHMS MIN
 - ENVIRONMENTAL SPECIFICATIONS
 TEMPERATURE RANGE: -55 °C TO +85 °C
 - MECHANICAL CHARACTERISTICS:
 DURABILITY: 500 CYCLES
 - N END TECHNICAL DETAIL: REFER TO EMERSON DOCUMENT P/N 26-0000



THIS DRAWING TO BE INTERPRETED
PER ANSI Y 14.5M - 1994

COMPANY CONFIDENTIAL

TOLERANCE UNLESS OTHERWISE SPECIFIED		DRAWN BY IVON.WANG	DATE 08-18-09
DECIMALS	mm	CHECKED BY BETTY.YU	DATE 08-18-09
X	+ 0.5	APPROVED BY THOMAS	DATE 08-18-09
X.X	+ 0.2	U/M	mm
X.XX	+ 0.1		
ANGLES	+ 0.5°		

EMERSON Network Power		Connectivity Solutions
TITLE CPAD810 SMA(F)-N(M) ADAPTER		
SHEET 1 OF 1	DRAWING NO. 29-3840	SIZE C

THIS DRAWING WAS PRODUCED BY COMPUTER,
DO NOT SCALE DRAWING OR UPDATE MANUALLY.