


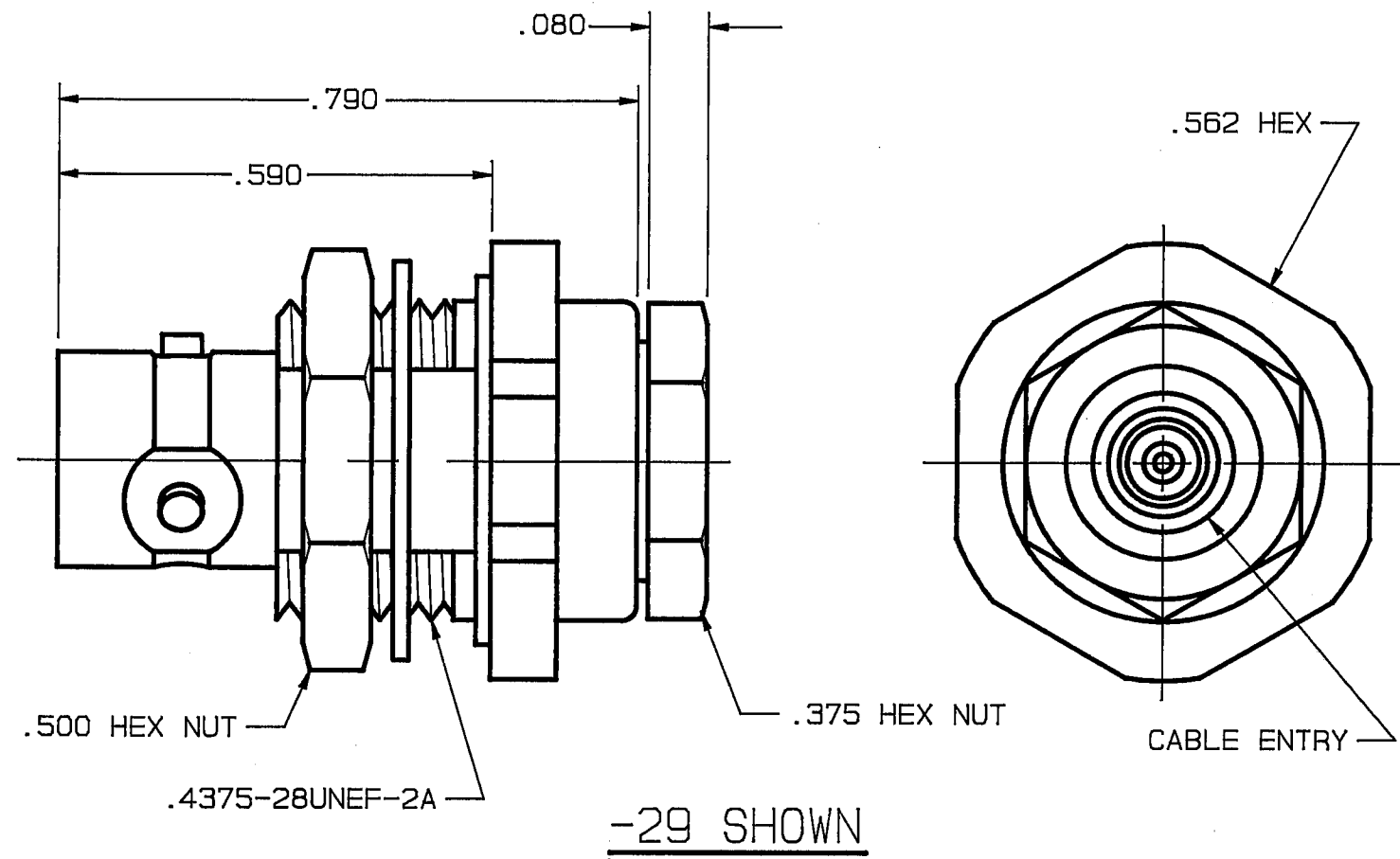



| DASH NO | CABLES ACCOMMODATED | ASSEMBLE PER |
|---------|---|--------------|
| -23 | 275-3930, MICRODOT | TAI-127 |
| -24 | 202-3934, MICRODOT | TAI-125 |
| -24A | 9530A5117, RAYCHEM | TAI-127 |
| -27 | 202-3927, MICRODOT 73-1317911-1, SYLVANIA | TAI-125 |
| -29 | TWC-124-1A TWC-78-1 | TAI-125 |
| -30 | 8441, BELDEN  761A, W.E.CO. | |
| -32 | TRC-50-1 | TAI-127 |
| -33 | TRC-75-1 | |
| -43 | 250-4044/250-4045 293-3930 MICRODOT | TAI-174 |
| -47 | M17/176-00002  | TAI-125 |
| -49 | TWAC-78-1F2  | |
| -56 | GC875GC1, GRUMMAN | TAI-174 |
| -57 | GC875GB1, GRUMMAN | |
| -58 | GC875TM24H, GRUMMAN | TAI-125 |

DISK # H 6 DWG SIZE B
 DATA CONTAINED IN THIS DOCUMENT IS PROPRIETARY TO TROMPETER ELECTRONICS INC. AND SHALL NOT BE DISCLOSED, COPIED OR USED FOR PROCUREMENT OR MANUFACTURE WITHOUT EXPRESS WRITTEN PERMISSION.

| REVISIONS | | | 3-0026 | | SH 1 |
|-----------|------|---|--------|-------------------|----------|
| REV | EO | DESCRIPTION | DWN | APPROVED | DATE |
| T | 9117 | ADDED -43; ADDED ITEMS 13 & 14 TO L/M; ITEMS 13 & 14 FOR -29 & -57 WERE ITEMS 5 & 6 | J S | <i>E.E., K.Q.</i> | 12-13-90 |

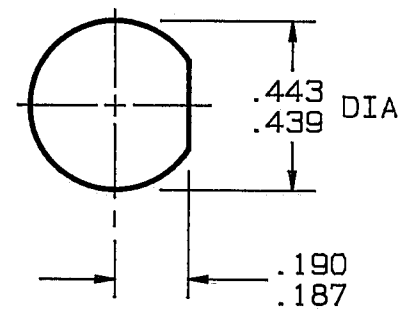
| INCH | MM |
|------|-------|
| .005 | 0.13 |
| .080 | 2.03 |
| .125 | 3.18 |
| .187 | 4.75 |
| .190 | 4.83 |
| .375 | 9.53 |
| .439 | 11.15 |
| .443 | 11.25 |
| .500 | 12.70 |
| .562 | 14.27 |
| .590 | 14.99 |
| .790 | 20.07 |



 .187 LG JACKET SLITS MAY BE REQUIRED FOR EASE OF ASSY

 NOT WRENCH CRIMP

4. MAX PANEL THK .125
3. CONCENTRIC TWINAX/TRIAX SUBMINIATURE TRS 3-LUG BULKHEAD MOUNT RECEPTACLE
2. FINISH: TFS-1A (NICKEL)
1. ALL DIM ARE IN INCHES



RECOMMENDED
PANEL CUTOUT
SCALE: 2/1

| QTY | DESCRIPTION | | PART NUMBER | | ITEM | | |
|---|-------------|-------------|-----------------------------|-----------|--------------|--------------|------------|
| TOL UNLESS SPECIFIED .XX ± .XXX ± .005 .XXXX ± ANGLES ± | | | TROMPETER ELECTRONICS, INC. | | BJ159 | | |
| DWN | J S | 12/4/90 | | | | MATERIAL | CODE IDENT |
| 305-0424 | CHK | <i>E.E.</i> | 12-11-90 | — | 14949 | 3-0026 | T |
| NEXT ASSY | ENGR | <i>K.Q.</i> | 12-13-90 | SCALE 4/1 | DATE 6/20/75 | SHEET 1 OF 2 | |