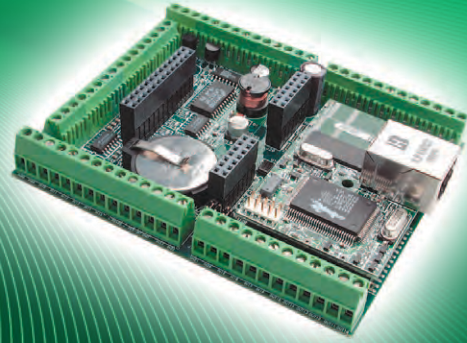


# Rabbit® SBC BL2100 Series

Single-Board Computer

A high-performance single-board computer designed for medium-scale industrial control and monitoring applications.

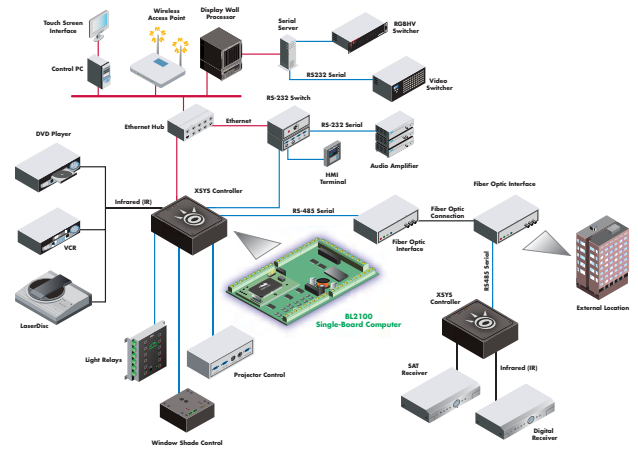


## Overview

The BL2100 series is available in four flexible configurations, which feature 40 digital I/O, 3 RS-232/485 serial ports, and a battery-backup for the real-time clock and SRAM for protected data. In addition, the BL2100 and BL2120 models include 11 channels of 12-bit resolution A/D input and 4 channels of 12-bit D/A output. The BL2100's 16 digital outputs can sink/source up to 200 mA and are configurable in Dynamic C, an easy-to-use C environment.

An optional 7-key 122 x 32 graphic display is available as a cost-effective user interface (a panel-mount, water-resistant NEMA 4 version is also available). The BL2100 boards come standard with screw terminals which, can support 14 AWG wiring or other options such as IDC or friction lock headers.

## Application Highlight



## Features/Benefits

- 40 sinking/sourcing digital I/O
- Up to 512K Flash for program and up to 512K SRAM for data
- 16 digital outputs which can sink/source 200 mA
- 11 A/D and 4 D/A with 12-bit resolution
- Up to 4 serial ports: two 3-wire (or one 5-wire) RS-232 and 1 RS-485
- Royalty-free TCP/IP stack

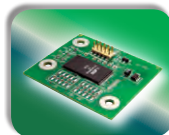
## Related Products



Dynamic C



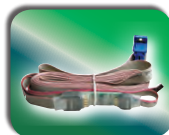
Keypad



Serial Flash



Digi Connect® WAN 3G



Programming Cable



Specifications	BL2100	BL2110	BL2120	BL2130
<b>Features</b>				
Microprocessor	Rabbit 2000 at 22.1 MHz			
Ethernet Port	10Base-T, RJ-45, link and activity LEDs		None	
Flash	256K (standard)		256K	
SRAM	128K (standard)		128K	
Backup Battery	Socketed 3V lithium coin-type, 265 mA.h, supports RTC and SRAM			
Keypad/Display	See keypad/display option (below) and our "OP" products (for serial display options)			
Digital Inputs	24: protected to $\pm 36$ VDC			
Digital Outputs	16: source/sink 200 mA each, 36VDC max.			
Analog Inputs	11 at 1 M $\Omega$ , 12-bit resolution, $\pm 10$ VDC, up to 4,100 samples/sec.	None	11 at 1 M $\Omega$ , 12-bit resolution, $\pm 10$ VDC, up to 4,100 samples/sec.	None
Analog Outputs	Four 12-bit resolution, 0-10VDC*, update rate 12 kHz	None	Four 12-bit resolution, 0-10VDC*, update rate 12 kHz	None
Serial Ports	4 total: two 3-wire (or one 5-wire) RS-232, 1 RS-485, and one 5V CMOS-compatible (programming)			
Serial Rate	Max. burst rate = CLK/32; Max. sustained rate = burst/2			
Connectors	Screw terminals support max. 14 AWG/1.5 mm <sup>2</sup> (standard)			
Real-Time Clock	Yes			
Timers	Five 8-bit timers (four cascadable from the first) and one 10-bit timer with 2 match registers			
Watchdog Timer/Supervisor	Yes			
Power	9-36VDC, 1.5W max. (without display), 3W max. (with display)			
Operating Temperature	-40° C to +70° C			
Humidity	5-95%, non-condensing			
Board Size	4.14" x 3.41" x 0.93"; (105 mm x 87 mm x 24 mm)			
<b>Pricing</b>				
Price (Qty. 1) Part Number	\$339 20-101-0461	\$249 20-101-0462	\$299 20-101-0463	\$209 20-101-0464

<b>Keypad/Display Option</b>	
<b>Features</b>	
LCD Panel	122 x 32 graphic LCD in two stacked sections (with programmable backlight); Relegendable keypad with 7-key/7-LED interface
LEDs	7 user-programmable: 1 red, 4 green, 2 yellow
Operating Temperature	0° C to 50° C
Board Size	3.00" x 2.6" x 0.75"; (76 mm x 66 mm x 19 mm)
Enclosure Size	5.60" x 4.875" x 1.5"; (142 mm x 124 mm x 38 mm)
Part Number	101-0502

Visit [www.digi.com](http://www.digi.com) for part numbers.

**DIGI SERVICE AND SUPPORT** - You can purchase with confidence knowing that Digi is here to support you with expert technical support and a one-year warranty. [www.digi.com/support](http://www.digi.com/support)

**Digi International**  
877-912-3444  
952-912-3444  
info@digi.com

**Digi International  
France**  
+33-1-55-61-98-98  
www.digi.fr

**Digi International  
KK**  
+81-3-5428-0261  
www.digi-intl.co.jp

**Digi International  
(HK) Limited**  
+852-2833-1008  
www.digi.cn



91001660  
B1/1210

**BUY ONLINE • [www.digi.com](http://www.digi.com)**

© 2006-2010 Digi International Inc. All rights reserved. Digi, Digi International, Rabbit, the Digi logo, the Making Wireless M2M Easy logo, Digi Connect and Dynamic C are trademarks or registered trademarks of Digi International Inc. in the United States and other countries worldwide. All other trademarks are the property of their respective owners. All information provided is subject to change without notice.

