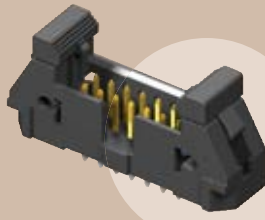


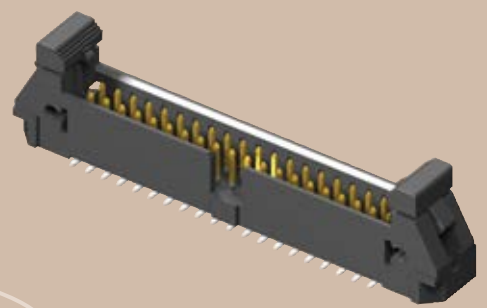
(2,54 mm) .100"

EJH SERIES

EJH-107-01-F-D-TH



EJH-120-01-L-D-SM



SHROUDED IDC EJECTOR HEADERS

SPECIFICATIONS

For complete specifications and recommended PCB layouts see www.samtec.com?EJH

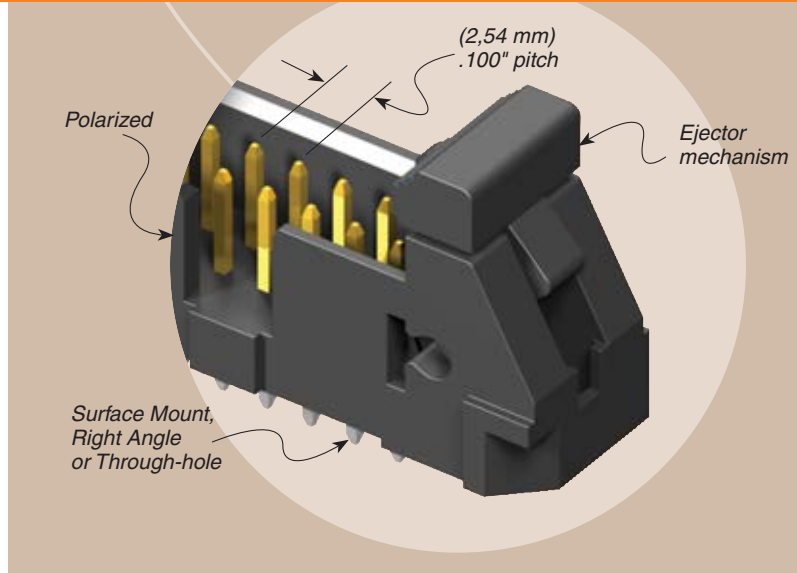
Insulator Material:
Liquid Crystal Polymer



Terminal Material:
Phosphor Bronze
Plating:
Sn or Au over 50µ" (1,27 µm) Ni
Current Rating:
3A per contact @ 80°C ambient
Operating Temp Range:
-55°C to +125°C
RoHS Compliant:
Yes

Processing:
Lead-Free Solderable:
Yes
SMT Lead Coplanarity:
(0,10 mm) .004" max

Mates with:
IDSD



APPLICATION SPECIFIC OPTION

-02 lead style
Call Samtec.
Mates to HCSD Series.
See www.samtec.com?HCSD for more information.

| EJH | 1 | NO. PINS PER ROW | 01 | PLATING OPTION | D | TAIL OPTION | OTHER OPTION |
|--|---|--|----|------------------------|---|---|--------------|
| 05, 07, 08, 10, 13, 15, 17, 20, 25 (Call Samtec for other sizes.) | | -F = Gold flash on post, Matte Tin on tail | | -SM = Surface Mount | | -XX = Polarized Position | |
| | | -L = 10µ" (0,25 µm) Gold on post, Matte Tin on tail | | -TH = Through-hole | | -LC = Locking Clip (-SM only) (Manual placement required) | |
| | | | | -RA = Right Angle | | -K = .475" (12,00 mm) DIA Polyimide Film Pick & Place Pad (-SM only) | |
| | | | | | | -P = Pick & Place Pad (-SM only) | |
| | | | | | | -TR = Tape & Reel Packaging (-SM only) 25 position not available | |

Dimensions shown in drawings:
 - Overall length: No. of positions x (2,54) .100 + (17,63) .694
 - Pin pitch: (2,54) .100
 - Tail length: (2,59) .102 REF
 - Tail width: (2,3) .09
 - Tail offset: (2,54) .100
 - Pin height: (9,91) .390
 - Pin diameter: (0,51) .020
 - Pin spacing: (0,64) .025 SQ
 - Pin length: (16,88) .665
 - Pin offset: (12,70) .500
 - Pin diameter: (1,52) .060
 - Pin offset: (12,83) .505
 - Pin diameter: (11,87) .467
 - Pin length: (5,72) .225
 - Pin offset: (3,05) .120
 - Pin diameter: (2,54) .100
 - Pin offset: (0,51) .020

Note: Other Gold plating options available. Contact Samtec.

Note: Some lengths, styles and options are non-standard, non-returnable.

Due to technical progress, all designs, specifications and components are subject to change without notice.

WWW.SAMTEC.COM